

Product data sheet

Specifications



digital output module - 4O - 30V DC/
230V AC - 5A - relay - 4 C/O -
quantity 4

TM5SDO4R4

! Discontinued

! Discontinued on: Dec 31, 2019

! End-of-service on: Jan 19, 2021

Main

Range of product	Modicon TM5
Product or component type	Discrete output module
Product compatibility	Motion controller PacDrive LMC Eco PacDrive LMC Pro PacDrive LMC Pro 2 Logic controller
Range compatibility	PacDrive LMC motion controller Modicon LMC058 Modicon M258
Discrete output number	4

Complementary

Net weight	0.055 lb(US) (0.025 kg)
------------	-------------------------

Environment

Marking	CE
Ambient air temperature for operation	14...131 °F (-10...55 °C) without derating horizontal installation) 14...140 °F (-10...60 °C) with derating factor horizontal installation) 14...122 °F (-10...50 °C) vertical installation)
Shock resistance	15 gn 11 ms

Packing Units

Unit Type of Package 1	PCE
Number of Units in Package 1	1
Package 1 Height	2.8 in (7 cm)
Package 1 Width	3.5 in (9 cm)
Package 1 Length	4.3 in (11 cm)
Package 1 Weight	6.3 oz (179 g)

Contractual warranty

Warranty (in months)	18
----------------------	----



Environmental Data

Schneider Electric aims to achieve Net Zero status by 2050 through supply chain partnerships, lower impact materials, and circularity via our ongoing “Use Better, Use Longer, Use Again” campaign to extend product lifetimes and recyclability.

[Environmental Data explained >](#)

[How we assess product sustainability >](#)

Use Longer



Lifetime extension

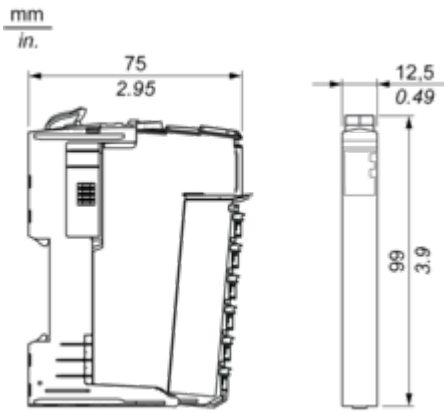
Repair

No

Dimensions Drawings

TM5 Slice

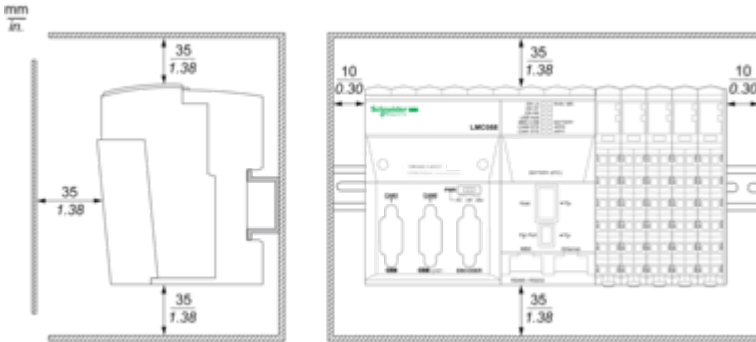
Dimensions



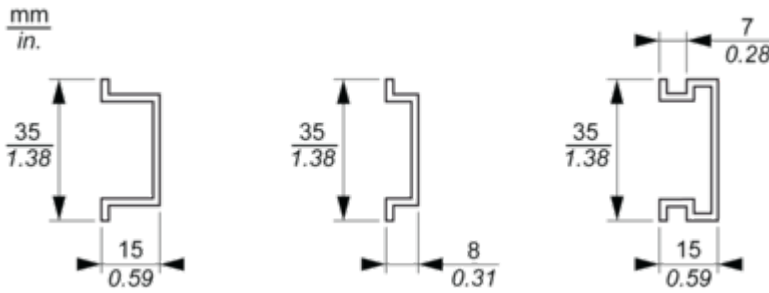
Mounting and Clearance

TM5 System

Spacing Requirements



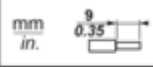




Mounting on a DIN Rail



Connections and Schema

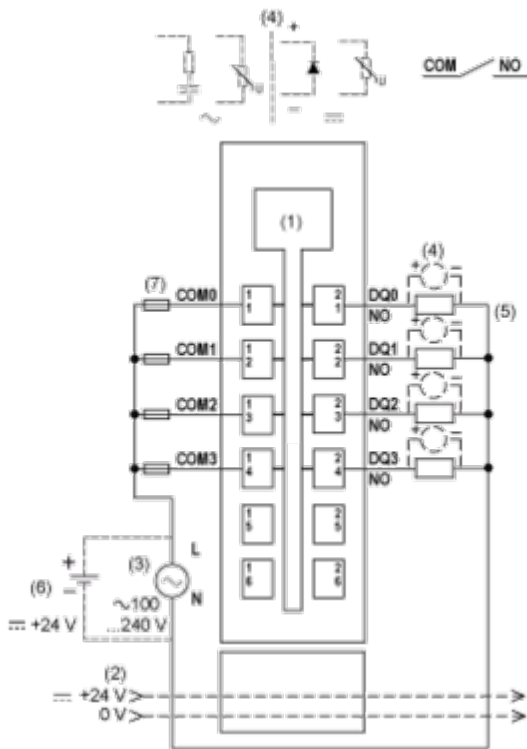
TM5 System Wiring Recommendations

Wire Sizes to Use with the Removable Spring Terminal Blocks

				
mm ²	0,08...2,5	0,25...2,5	0,25...1,5	2 x 0,25...2 x 0,75
AWG	28...14	24...14	24...16	2 x 24...2 x 18

Electronic Module 4DO 30 Vdc / 230 Vac 5 A Relay N/O

Wiring Diagram



- (1) Internal electronics
- (2) 24 Vdc I/O power segment integrated into the bus bases
- (3) External power supply 100...240 Vac
- (4) Inductive load protection
- (5) 2-wire load
- (6) External power supply 24 Vdc
- (7) External fuse type T slow-blow 5 A - 250 V