

XUM2ANCNL2

photo-electric sensor - XUM - thru beam - Sn 15m
- 12..24VDC - cable 2m



Main

| | |
|-------------------------------|-----------------------------|
| Range of product | OsiSense XU |
| Series name | General purpose single mode |
| Electronic sensor type | Photo-electric sensor |
| Sensor name | XUM |
| Sensor design | Miniature |
| Detection system | Thru beam |
| Material | Plastic |
| Type of output signal | Discrete |
| Supply circuit type | DC |
| Wiring technique | 3-wire |
| Discrete output type | NPN |
| Discrete output function | 1 NO or 1 NC programmable |
| Electrical connection | Cable |
| Cable length | 2 m |
| Product specific application | - |
| Emission | Red thru beam |
| [Sn] nominal sensing distance | 15 m thru beam |

Complementary

| | |
|---------------------------|--|
| Enclosure material | PBT |
| Lens material | PMMA |
| Output type | Solid state |
| Wire insulation material | PVC |
| Status LED | 1 LED (green) for instability and receiver/supply on 1 LED (orange) for transmitter/supply on 1 LED (red) for receiver/indicator light |
| [Us] rated supply voltage | 12...24 V DC |
| Switching capacity in mA | <= 100 mA (overload and short-circuit protection) |
| Switching frequency | <= 1000 Hz |
| Voltage drop | <= 3 V (closed state) |
| Current consumption | 11...13 mA (no-load) |
| Delay first up | < 100 ms |

| | |
|-----------------|--|
| Delay response | 0.5 ms |
| Delay recovery | 0.5 ms |
| Setting-up | Sensitivity adjustment by potentiometer |
| Depth | 20 mm |
| Height | 34 mm |
| Width | 11 mm |
| Product weight | 0.119 kg |
| Kit composition | Transmitter + receiver XUM2AKCNL2T + XUM2APCNL2R |

Environment

| | |
|---------------------------------------|---|
| Product certifications | CE CTick cULus |
| Ambient air temperature for operation | -30...60 °C |
| Ambient air temperature for storage | -40...70 °C |
| Vibration resistance | 7 gn, amplitude = +/- 1.5 mm (f = 10...55 Hz) conforming to IEC 60068-2-6 |
| Shock resistance | 30 gn (duration = 11 ms) conforming to IEC 60068-2-27 |
| IP degree of protection | IP65 conforming to IEC 60529 IP67 conforming to IEC 60529 |

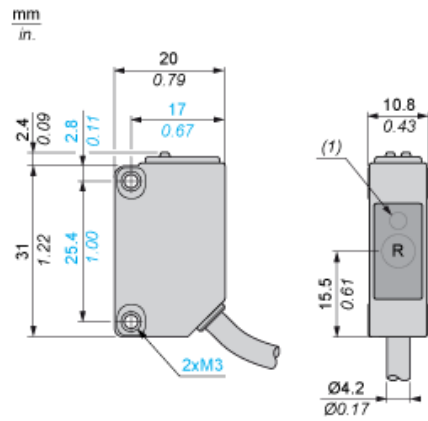
Offer Sustainability

| | |
|------------------------|---|
| RoHS (date code: YYWW) | Compliant - since 1152 - Schneider Electric declaration of conformity Schneider Electric declaration of conformity |
|------------------------|---|

Contractual warranty

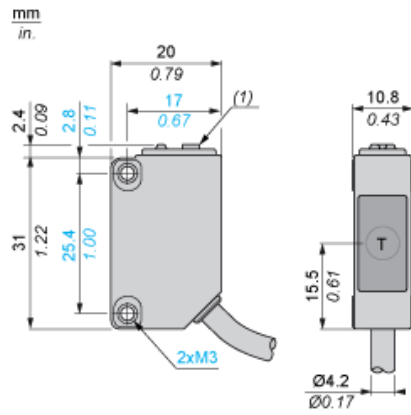
| | |
|-----------------|-----------|
| Warranty period | 18 months |
|-----------------|-----------|

Receiver's Dimensions



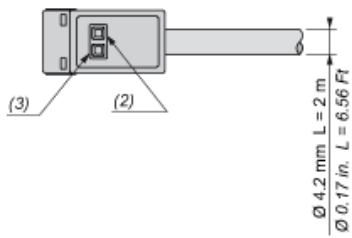
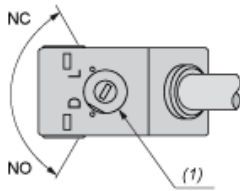
- R : Reception
- (1) Output state LED on front face

Transmitter's Dimensions



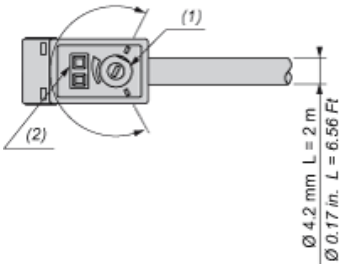
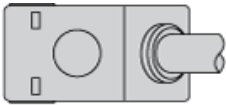
T : Transmission
(1) Potentiometer

Mounting and Clearance



- (1) Configuration switch
- (2) Output state LED
- (3) Stability and power on LED

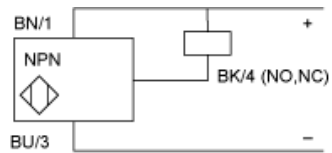
Mounting and Clearance



- (1) Adjustment potentiometer
- (2) Power on LED

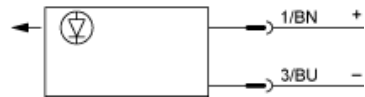
Connections and Schemes

NPN



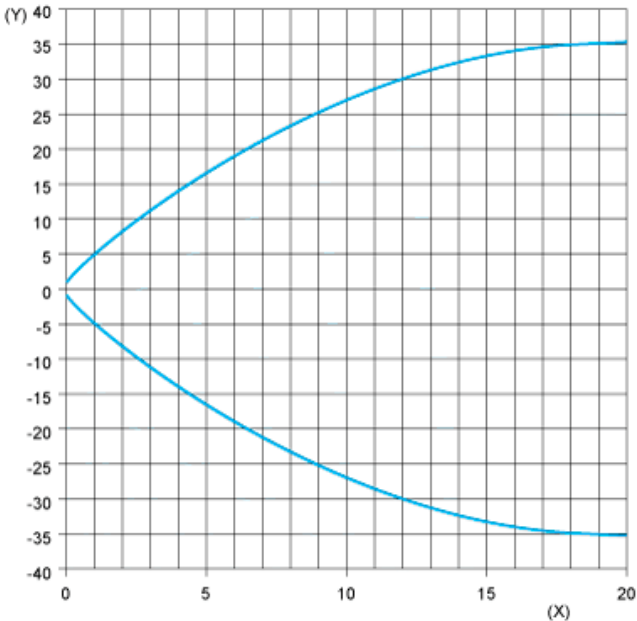
BN : Brown
BU : Blue
BK : Black

Transmitter DC



BN : Brown
BU : Blue

Detection Curves



(Y) Parallel movement (cm)
(X) Distance (m)