



connecting comb for connecting identical potentials, current-carrying capacity for infeed max. 10 A, 2-pole



product brand name	SIRIUS	
product designation	Connecting comb	
design of the product	current-carrying capacity for infeed max. 10 A, 2-pole	
product type designation	3RQ49	
<b>General technical data</b>		
flammability class of enclosure material	UL94 V-0	
reference code according to IEC 81346-2	X	
Substance Prohibitance (Date)	09/26/2024	
Net Weight	0.67 g	
<b>Ambient conditions</b>		
relative humidity during operation	10 ... 95 %	
<b>Installation/ mounting/ dimensions</b>		
height	11.8 mm	
width	20.2 mm	
depth	3.6 mm	
<b>Approvals Certificates</b>		
General Product Approval	other	Environment

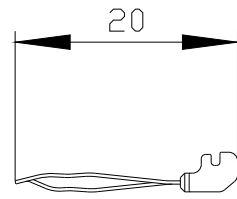
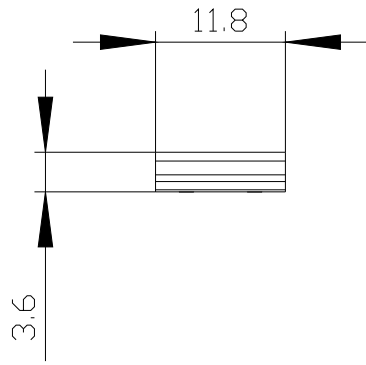


[Confirmation](#)



**Further information**

- Information on the packaging  
<https://support.industry.siemens.com/cs/ww/en/view/109813875>
- Information for data generation and storage  
<https://support.industry.siemens.com/cs/ww/en/view/109995012>
- Information- and Downloadcenter (Catalogs, Brochures,...)  
<https://www.siemens.com/ic10>
- Industry Mall (Online ordering system)  
<https://mall.industry.siemens.com/mall/en/en/Catalog/product?mlfb=3RQ4901-0A>
- Cax online generator  
<https://support.automation.siemens.com/WW/CAXorder/default.aspx?lang=en&mlfb=3RQ4901-0A>
- Service&Support (Manuals, Certificates, Characteristics, FAQs,...)  
<https://support.industry.siemens.com/cs/ww/en/ps/3RQ4901-0A>
- Image database (product images, 2D dimension drawings, 3D models, device circuit diagrams, EPLAN macros, ...)  
[https://www.automation.siemens.com/bilddb/cax\\_de.aspx?mlfb=3RQ4901-0A&lang=en](https://www.automation.siemens.com/bilddb/cax_de.aspx?mlfb=3RQ4901-0A&lang=en)



---

last modified:

12/3/2025 