




POSITION SWITCH ENCLOSED DEGREE OF PROTECTION IP65, EN 50 041, SNAP ACTION CONTACTS 1NO+1NC, ROLLER PLUNGER, 1 X M20 X 1,5

product designation	position switch		
suitability for use safety switch	Yes		
General technical data			
protection class IP	IP66		
reference code according to IEC 81346-2	B		
active principle	mechanical		
Substance Prohibition (day/month/year)	07/01/2006		
Net Weight	0.115 kg		
length of the sensor	118 mm		
width of the sensor	40 mm		
Ambient conditions			
ambient temperature	-30 ... +85 °C		
• during operation			
explosion protection category for dust	none		
design of the switching contact	mechanical		
number of NC contacts for auxiliary contacts	1		
number of NO contacts for auxiliary contacts	1		
Enclosure			
design of the housing	design complying with EN 50041		
material of the enclosure	glass fiber reinforced thermoplast		
coating of the enclosure	Other types		
design of the housing according to standard	Yes		
Drive Head			
design of the actuating element	roller plunger		
standard-compliant actuator head	EN 50041, design C		
shape of the switch head	roller		
design of the switching function	positive opening		
circuit principle	snap-action contacts		
number of switching contacts safety-related	1		
Installation/ mounting/ dimensions			
fastening method	screw fixing		
Connections/ Terminals			
type of electrical connection	screw terminal		
design of the interface for safety-related communication	without		
Communication/ Protocol			
design of the interface	without		
Approvals Certificates			
General Product Approval	Test Certificates	Maritime application	other
		Miscellaneous	 Confirmation Confirmation
other	Environment		



Further information

Information on the packaging

<https://support.industry.siemens.com/cs/ww/en/view/109813875>

Information for data generation and storage

<https://support.industry.siemens.com/cs/ww/en/view/109995012>

Information- and Downloadcenter (Catalogs, Brochures,...)

<https://www.siemens.com/ic10>

Industry Mall (Online ordering system)

<https://mall.industry.siemens.com/mall/en/en/Catalog/product?mlfb=3SE2230-1D>

Cax online generator

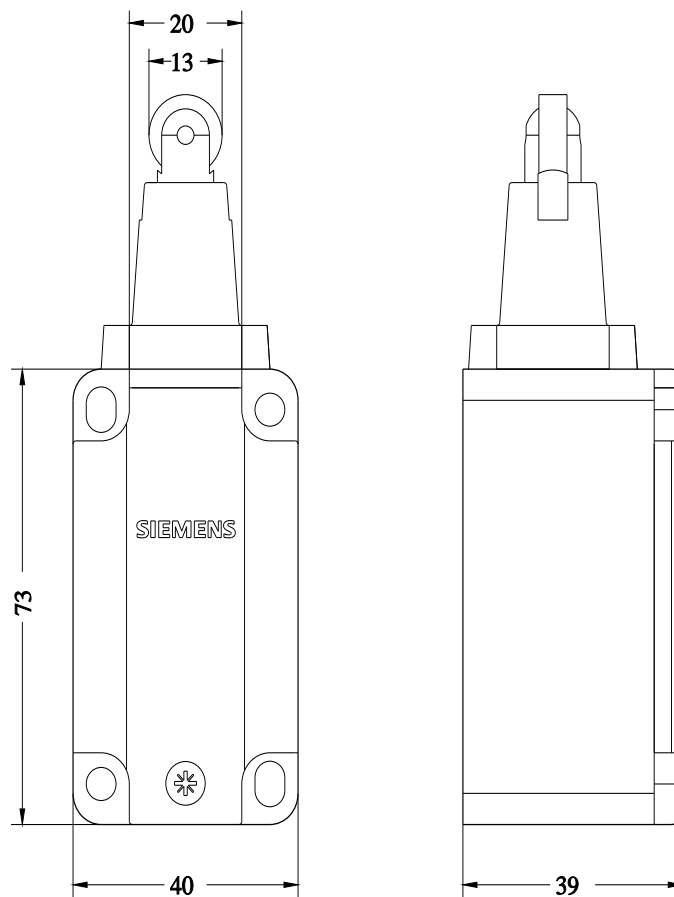
<https://support.automation.siemens.com/WW/CAXorder/default.aspx?lang=en&mlfb=3SE2230-1D>

Service&Support (Manuals, Certificates, Characteristics, FAQs,...)

<https://support.industry.siemens.com/cs/ww/en/ps/3SE2230-1D>

Image database (product images, 2D dimension drawings, 3D models, device circuit diagrams, EPLAN macros, ...)

https://www.automation.siemens.com/bilddb/cax_de.aspx?mlfb=3SE2230-1D&lang=en



last modified:

8/8/2025