

Product data sheet

Specifications



2-phase stepper motor - 0.07 N.m -
shaft $\tilde{\text{A}}\sim 5$ mm - L=26mm - without
brake - 0.75A

BRS2361A070

Main

Range compatibility	Lexium SD2
Product or component type	Motion control motor
Device short name	BRS2
Motor type	2-phase stepper motor

Complementary

Maximum mechanical speed	2700 rpm
Supply voltage limits	12...48 V DC
Mounting support	Flange
Motor flange size	1.4 in (35.3 mm)
Length	1.02 in (26 mm)
Number of motor stacks	1
Centring collar diameter	0.9 in (22 mm)
Centring collar depth	0.08 in (2 mm)
Number of mounting holes	4
Mounting holes diameter	0.1 in (3 mm)
Circle diameter of the mounting holes	1.45 in (36.77 mm)
Electrical connection	Flying lead
Holding brake	Without
Shaft end	Smooth shaft
Second shaft	Without second shaft end
Shaft diameter	0.2 in (5 mm)
Shaft length	0.9 in (22 mm)
Holding torque	0.62 lbf.in (0.07 N.m)
Rotor inertia	0.012 kg.cm ²
Resolution	200 steps number of full steps per revolution 1.8 ° step angle
[In] rated current	0.75 A
Resistance	4.3 Ohm winding)

Environment

Ambient air temperature for operation	-13...104 °F (-25...40 °C)
---------------------------------------	----------------------------

Ambient air temperature for storage	-13...158 °F (-25...70 °C)
Operating altitude	<= 1000 m without power derating
Relative humidity	15...85 % without condensation
IP degree of protection	IP20 conforming to IEC/EN 60034-1
Temperature class	B winding IEC/EN 60034-1

Packing Units

Unit Type of Package 1	PCE
Number of Units in Package 1	1
Package 1 Height	7.9 in (20 cm)
Package 1 Width	10.0 in (25.4 cm)
Package 1 Length	12.8 in (32.5 cm)
Package 1 Weight	5.3 oz (150 g)
Unit Type of Package 2	CAR
Number of Units in Package 2	24
Package 2 Height	7.9 in (20 cm)
Package 2 Width	10.0 in (25.4 cm)
Package 2 Length	12.8 in (32.5 cm)
Package 2 Weight	7.979 lb(US) (3.619 kg)
Unit Type of Package 3	S06
Number of Units in Package 3	192
Package 3 Height	28.9 in (73.5 cm)
Package 3 Width	23.6 in (60 cm)
Package 3 Length	31.5 in (80 cm)
Package 3 Weight	92.488 lb(US) (41.952 kg)

Contractual warranty

Warranty (in months)	18
-----------------------------	----



Environmental Data

Schneider Electric aims to achieve Net Zero status by 2050 through supply chain partnerships, lower impact materials, and circularity via our ongoing “Use Better, Use Longer, Use Again” campaign to extend product lifetimes and recyclability.

[Environmental Data explained >](#)

[How we assess product sustainability >](#)



Environmental footprint

Total lifecycle Carbon footprint	211 kg CO2 eq.
Carbon footprint of the manufacturing phase [A1 to A3]	0.5 kg CO2 eq.
Carbon footprint of the distribution phase [A4]	0 kg CO2 eq.
Carbon footprint of the installation phase [A5]	0 kg CO2 eq.
Carbon footprint of the use phase [B2, B3, B4, B6]	210 kg CO2 eq.
Carbon footprint of the end-of-life phase [C1 to C4]	0 kg CO2 eq.

Use Better



Materials and Substances

Packaging made with recycled cardboard	No
Packaging without single use plastic	No

Use Longer



Lifetime extension

Repair	No
--------	----

Use Again

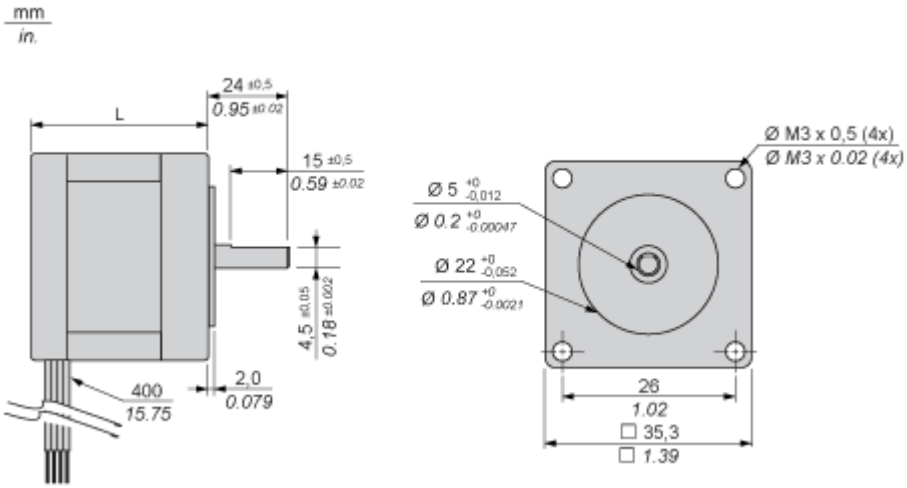


Repack and remanufacture

Take-back	No
-----------	----

Dimensions Drawings

Dimensions



Dimensions in mm

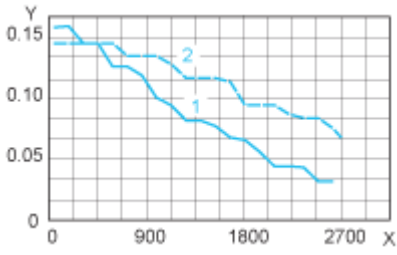
L
26

Dimensions in in.

L
1.02

Performance Curves

Torque Characteristics



X : Speed of rotation in rpm

Y : Torque in Nm

1 : 24 VDC

2 : 48 VDC