

# Product datasheet

Specifications



## zener barrier box - for junction box for load cell

SM1PY52

⚠ Discontinued on: 15 Feb 2023

⚠ To be end-of-service on: 31 Dec 2027

⚠ Discontinued - Service only

### Main

Range of product	Modicon Premium Automation platform
Accessory / separate part designation	Zener barrier box
Accessory / separate part type	Barrier box
Accessory / separate part category	Protection accessories
Accessory / separate part destination	Junction box for load cell
Product specific application	To limit the current to 100 mA in the event of a short circuit To limit any peak voltages

### Complementary

Marking	EEx ib II B EEx ib II C
Net weight	2.8 kg

### Packing Units

Unit Type of Package 1	PCE
Number of Units in Package 1	1
Package 1 Height	15.000 cm
Package 1 Width	22.000 cm
Package 1 Length	22.000 cm
Package 1 Weight	947.800 g
Unit Type of Package 2	S04
Number of Units in Package 2	3
Package 2 Height	30.000 cm
Package 2 Width	40.000 cm
Package 2 Length	60.000 cm
Package 2 Weight	3.494 kg

### Contractual warranty

Warranty (in months)	18
----------------------	----



## Environmental Data

Schneider Electric aims to achieve Net Zero status by 2050 through supply chain partnerships, lower impact materials, and circularity via our ongoing “Use Better, Use Longer, Use Again” campaign to extend product lifetimes and recyclability.

[Environmental Data explained >](#)

[How we assess product sustainability >](#)

### Use Longer



#### Lifetime extension

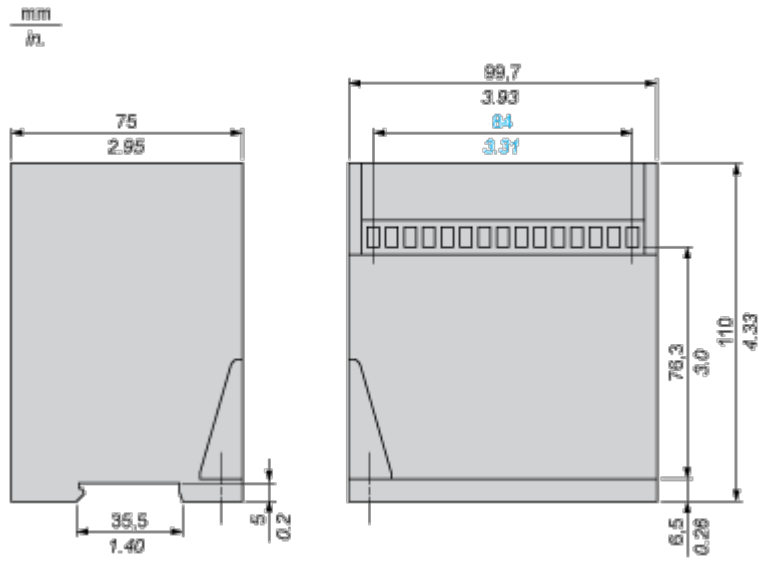
Repair

No

Dimensions Drawings

Dimensions

---



Mounting and Clearance

Mounting

---

