

# Product data sheet

Specifications



## Box PC Performance - Hard Disk - DC - 5 slots - fan

HMIBPHDD5701

! Discontinued on: Jun 30, 2016

! End-of-service on: Dec 31, 2020

! Discontinued

### Main

Range of Product	Harmony iPC
Device short name	BOX PC Performance
Product or Component Type	Operator dialogue terminal
Range Compatibility	Harmony iDisplay
Compatibility code	BOX PC Performance
Chipset type	Intel GM45 1066 MHz
Software package	Vijeo Designer run time demo

### Complementary

Port Ethernet	10BASE-T/100BASE-T/1000BASE-T
Memory description	4 GB RAM DDR3 internal not expandable) SDRAM saved memory
Drive type	DVD-RW
[Us] rated supply voltage	24 V DC power supply
Supply voltage limits	18...30 V
Control type	ON/OFF push-button equipment ON and OFF) Push-button reset)
Main type	Performance
Number of slots	2 slot(s) for PCI 3 slot(s) for PCI express 1x
Type of cooling	Fan
Line Rated Current	6 A
Inrush current	7 A
Width	10.2 in (260 mm)
Height	10.6 in (270 mm)
Net Weight	8.6 lb(US) (3.9 kg)

### Environment

Standards	CSA C22.2 No 142 ANSI/ISA 12-12-01 UL 1604 UL 508 Class I division 2 CSA C22.2 No 213
Pollution degree	2 EN 61131-2 Ed.3

Price is "List Price" and may be subject to a trade discount – check with your local distributor or retailer for actual price.

<b>Operating altitude</b>	6561.68 ft (2000 m) EN 61131-2 Ed.3
<b>Product certifications</b>	CE CULus ATEX zone 22 dust C-tick GOST
<b>Ambient air temperature for operation</b>	32...122 °F (0...50 °C) vertical installation) EN 61131-2 Ed.3 32...113 °F (0...45 °C) vertical installation when using RAID option) EN 61131-2 Ed.3 41...113 °F (5...45 °C) vertical installation when using DVD writer) EN 61131-2 Ed.3 32...113 °F (0...45 °C) vertical installation when using Gigabit Ethernet with HDD storage device) EN 61131-2 Ed.3

## Ordering and shipping details

<b>Category</b>	22575-MAGELIS MC3
<b>Discount Schedule</b>	MC3
<b>GTIN</b>	00785901464013
<b>Returnability</b>	No
<b>Country of origin</b>	AT

## Contractual warranty

<b>Warranty (in months)</b>	18
-----------------------------	----



## Environmental Data

Schneider Electric aims to achieve Net Zero status by 2050 through supply chain partnerships, lower impact materials, and circularity via our ongoing “Use Better, Use Longer, Use Again” campaign to extend product lifetimes and recyclability.

[Environmental Data explained >](#)

[How we assess product sustainability >](#)

### Use Longer



#### Lifetime extension

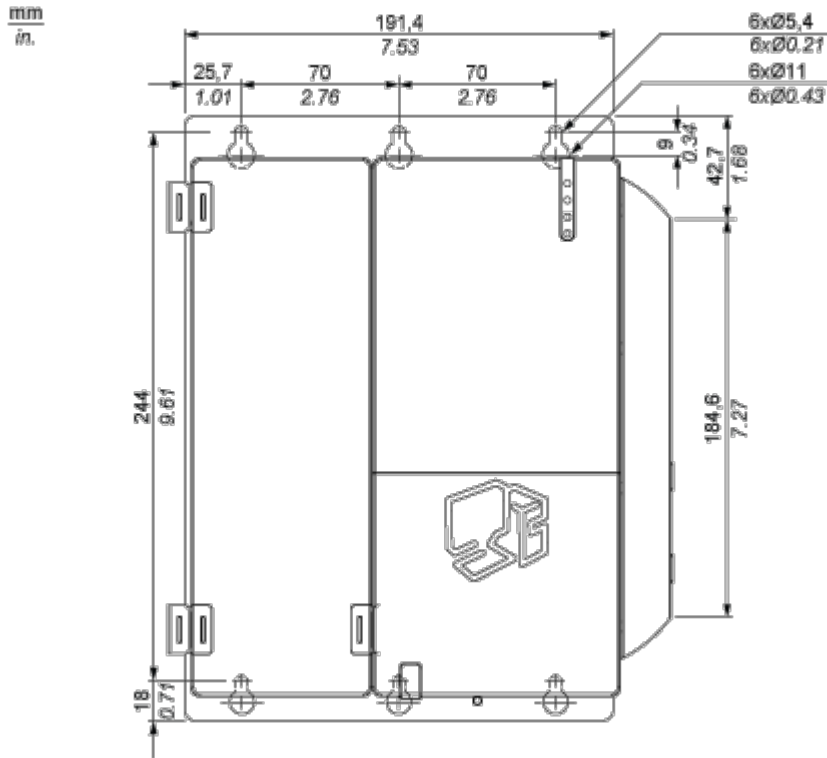
Repair

No

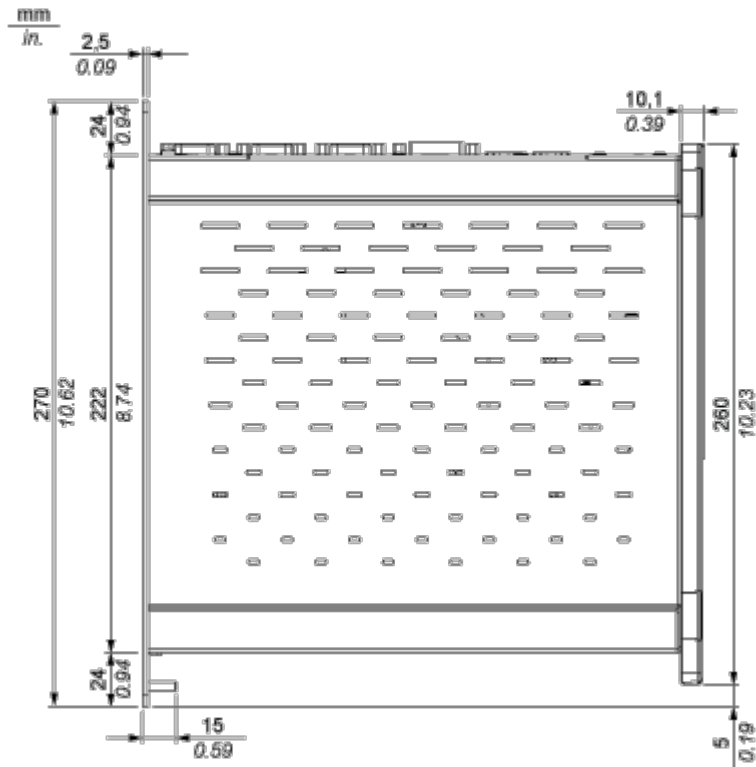
Dimensions Drawings

Dimensions

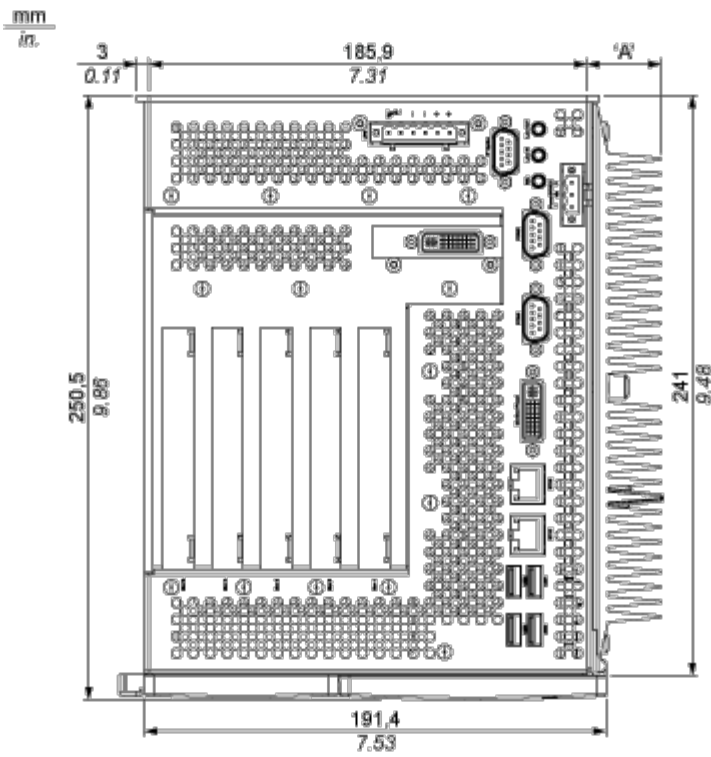
Front view



Side view



Top view

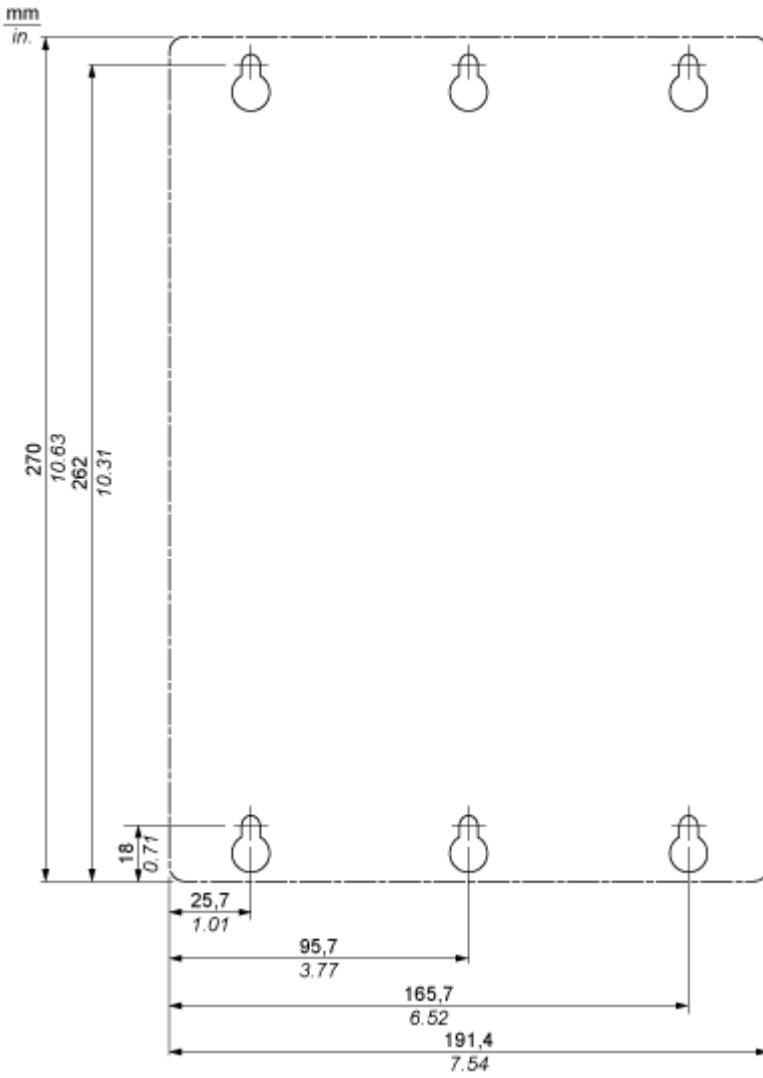


Mounting and Clearance

Mounting

---

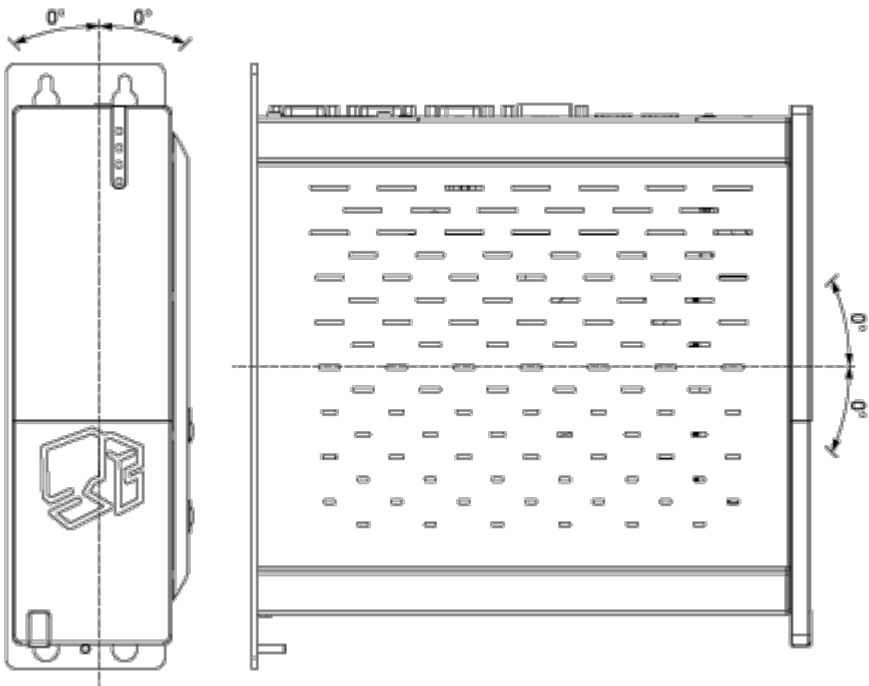
Plate Designed for M5 Screws



Mounting angle

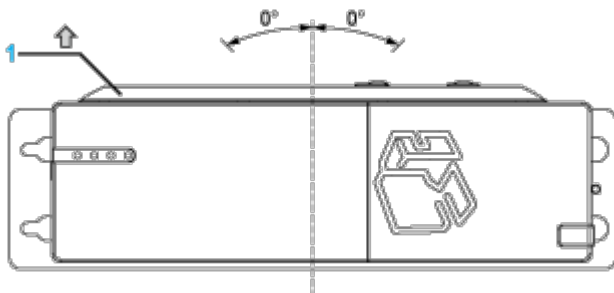
---

Standard mounting - vertical



Optional mounting - flat

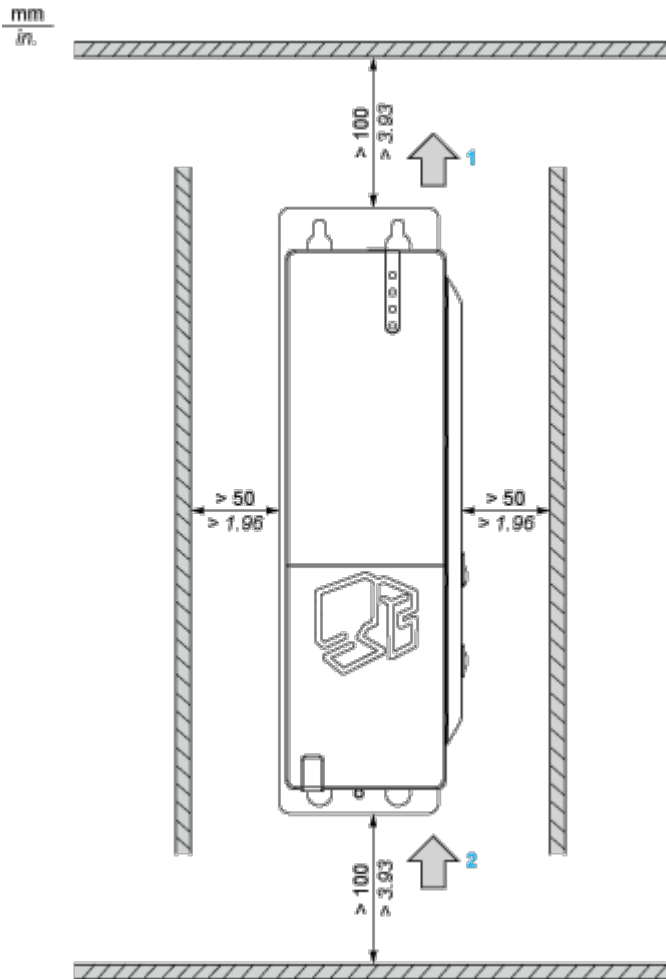
The maximum ambient temperature specification must be lowered by 5 °C (41 °F).  
For fanless models, a fan kit needs to be ordered separately.



- 1 Heat sink

Spacing Requirements for Air Circulation

---



- 1 Air out
- 2 Air in