

function module for IO-Link, star-delta (wye-delta) start, spring-loaded terminal, can be snapped on at the front on communication-capable contactor 3RT20...-.....0CC0



General technical data		
product brand name		Sirius
product designation		function module
design of the product		IO-Link
size of contactor can be combined company-specific		S00, S0, S2, S3
protection class IP on the front according to IEC 60529		IP20
touch protection on the front according to IEC 60529		finger-safe, for vertical contact from the front
degree of pollution		3
insulation voltage with degree of pollution 3 at AC rated value	V	690
installation altitude at height above sea level maximum	m	2 000
ambient temperature		
• during storage	°C	-40 ... +80
• during operation	°C	-25 ... +60
• during transport	°C	-40 ... +80
EMC immunity according to IEC 60947-1		ambience A (industrial sector)
EMC emitted interference according to IEC 60947-1		CISPR11, ambience A (industrial sector)
conducted interference due to burst according to IEC 61000-4-4		2 kV network connection / 1 kV control connection
conducted interference due to conductor-earth surge according to IEC 61000-4-5		1 kV
conducted interference due to conductor-conductor surge according to IEC 61000-4-5		0.5 kV
electrostatic discharge according to IEC 61000-4-2		8 kV
field-based interference according to IEC 61000-4-3		10 V/m
shock resistance		11 g / 15 ms
vibration resistance		10 ... 55 Hz / 0.35 mm
reference code		
• according to IEC 81346-2		K
• according to EN 61346-2		K
suitability for use		
• direct starter		No
• star-delta starter		Yes
• reversing starter		No
Communication/ Protocol		
product function		
• bus communication		Yes
• control circuit interface with IO link		Yes
• control circuit interface with AS-interface		No
Control circuit/ Control		

design of the surge suppressor		Varistor
type of voltage of the control supply voltage		DC
control supply voltage 1 at DC rated value	V	24
Installation/ mounting/ dimensions		
mounting position		any
fastening method		can be plugged into contactor
width	mm	45
height	mm	39
depth	mm	75
Connections/ Terminals		
product component removable terminal for auxiliary and control circuit		Yes
type of electrical connection for auxiliary and control circuit		spring-loaded terminals
type of connectable conductor cross-sections		
<ul style="list-style-type: none"> • for auxiliary contacts <ul style="list-style-type: none"> — solid — finely stranded <ul style="list-style-type: none"> — with core end processing — without core end processing • for AWG cables for auxiliary contacts 		1x (0.25 ... 1.5 mm ²), 2x (0.25 ... 1.5 mm ²) 1x (0.25 ... 1.5 mm ²), 2x (0.25 ... 1.5 mm ²) 1x (0.25 ... 1.5 mm ²), 2x (0.25 ... 1.5 mm ²) 2x (24 ... 16)
Certificates/ approvals		
certificate of suitability		CE / UL / CSA
General Product Approval		



[Manufacturer Declaration](#)

EMV	Test Certificates	Maritime application
-----	-------------------	----------------------



[Type Test Certificates/Test Report](#)



Maritime application	other
----------------------	-------



[Confirmation](#)

[Confirmation](#)



Environment

[Environmental Confirmations](#)

Further information

Information on the packaging

<https://support.industry.siemens.com/cs/ww/en/view/109813875>

Information for data generation and storage

<https://support.industry.siemens.com/cs/ww/en/view/109995012>

Information- and Downloadcenter (Catalogs, Brochures,...)

<https://www.siemens.com/ic10>

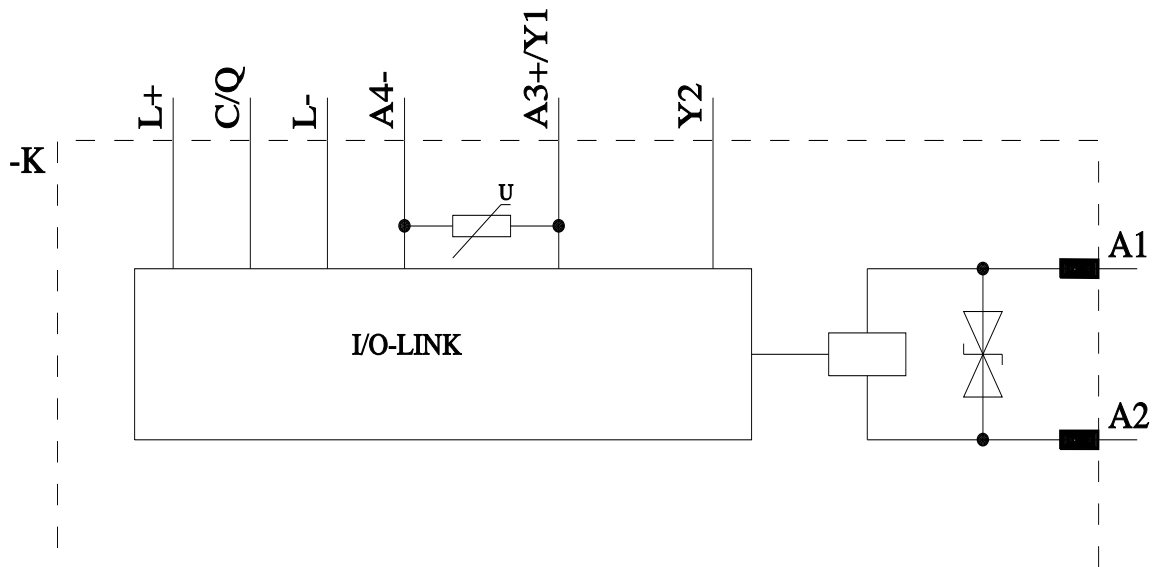
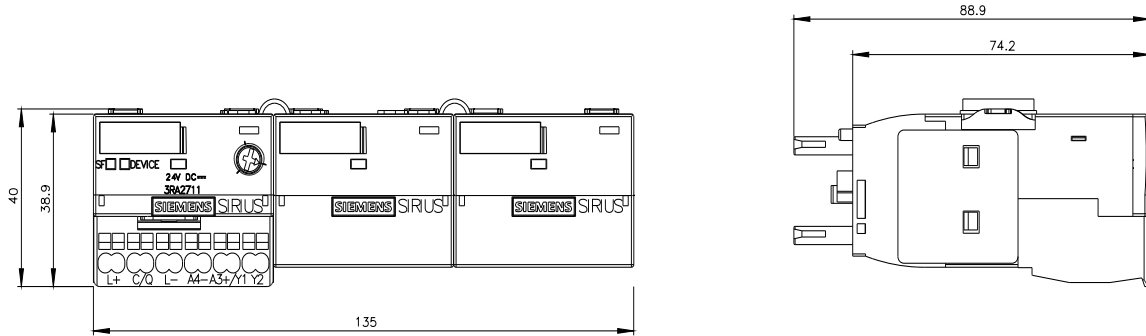
Industry Mall (Online ordering system)

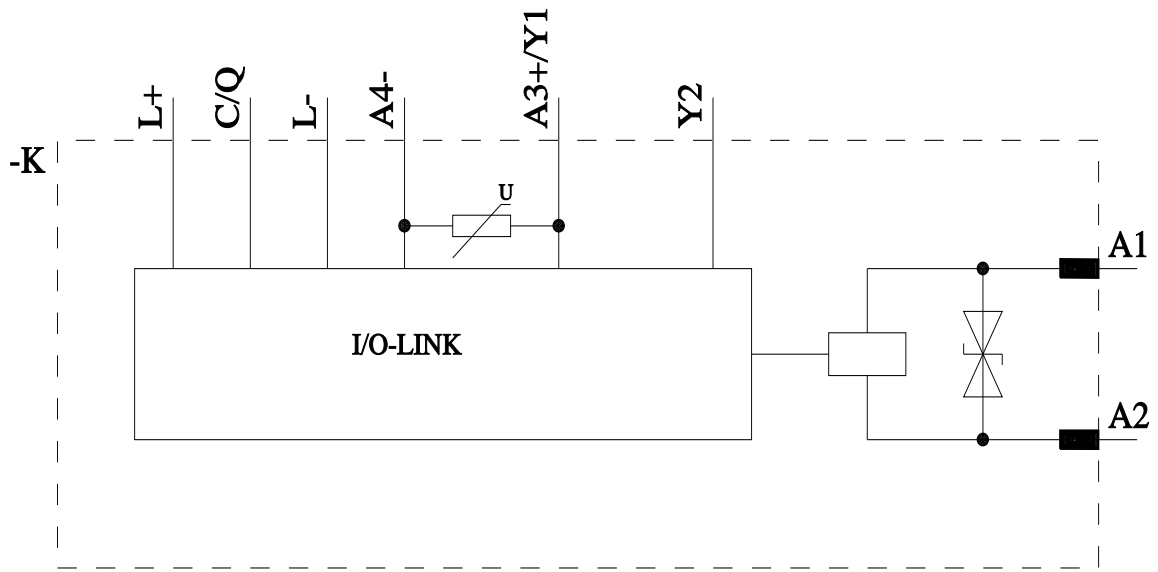
<https://mall.industry.siemens.com/mall/en/en/Catalog/product?mlfb=3RA2711-2CA00>

Cax online generator

<https://support.automation.siemens.com/WW/CAXorder/default.aspx?lang=en&mlfb=3RA2711-2CA00>

Service&Support (Manuals, Certificates, Characteristics, FAQs,...)





last modified:

4/4/2026 