

Product datasheet

Specifications



miniature plug in relay, Harmony Electromechanical Relays, 5A, 4 CO, with LED, 230 V AC

RXM4NB3P7

⚠ Discontinued on: 01 Dec 2024

⚠ To be discontinued

Main

Range of product	Harmony Electromechanical Relays
Series name	RXM series
Product or component type	Plug-in relay
Relay type	Miniature relay
Contacts type and composition	4 C/O
status LED	With
Control type	Without lockable test button
[Uc] control circuit voltage	230 V AC 50/60 Hz
[Ithe] conventional enclosed thermal current	3 A at -40...55 °C

Complementary

[Uimp] rated impulse withstand voltage	2.5 kV during 1.2/50 μ s
[Ie] rated operational current	5 A at 28 V (DC) NO conforming to IEC 5 A at 250 V (AC) NO conforming to IEC 2.5 A at 28 V (DC) NC conforming to IEC 2.5 A at 250 V (AC) NC conforming to IEC
minimum switching current	10 mA
Minimum switching capacity	170 mW at 10 mA, 17 V
Electrical durability	100000 cycles for resistive load depending on mounting position and working environment
Rated operational voltage limits	184...253 V AC
[Ui] rated insulation voltage	250 V conforming to IEC
Average consumption	1.2 VA at 60 Hz
Maximum switching voltage	250 V AC conforming to IEC 28 V DC
Drop-out voltage threshold	$\geq 0.15 U_c$
Load current	5 A at 250 V AC 5 A at 28 V DC
Operating time	20 ms
Maximum switching capacity	1250 VA/140 W
Average resistance	15000 Ohm at 20 °C +/- 15 %
Average coil consumption	1.2 W, DC 1.4 VA, AC
Mechanical durability	10000000 cycles

Excluding VAT and subject to change. Please check with your local distributor through "Where to buy"

Operating rate	<= 1200 cycles/hour under load <= 18000 cycles/hour no-load
Utilisation coefficient	20 %
reset time	20 ms
Dielectric strength	1000 V AC between contacts with micro disconnection 1800 V AC between coil and contact 1550 V AC between poles
Compatibility code	RXM
Protection category	RT I
Pollution degree	2
Operating position	Any position
Test levels	Level A group mounting
Device presentation	Complete product
Contacts material	Silver alloy (Ag/Ni)
Shape of pin	Flat (faston type)
Net weight	0.037 kg

Environment

Ambient air temperature for operation	-40...55 °C
IP degree of protection	IP40 conforming to IEC 60529
Standards	IEC 61810-1
Product certifications	CE
Ambient air temperature for storage	-40...85 °C
Vibration resistance	3 gn, amplitude = +/- 1 mm (f = 10...55 Hz)without clip 6 gn, amplitude = +/- 1 mm (f = 10...55 Hz)with clip
Shock resistance	10 gn (duration = 11 ms) for without clip 30 gn (duration = 11 ms) for with clip

Packing Units

Unit Type of Package 1	PCE
Number of Units in Package 1	1
Package 1 Height	4.6 cm
Package 1 Width	2.75 cm
Package 1 Length	2.08 cm
Package 1 Weight	35 g
Unit Type of Package 2	BB1
Number of Units in Package 2	10
Package 2 Height	3.2 cm
Package 2 Width	10.4 cm
Package 2 Length	12.6 cm
Package 2 Weight	350 g
Unit Type of Package 3	S02
Number of Units in Package 3	270

Package 3 Height	15 cm
Package 3 Width	30 cm
Package 3 Length	40 cm
Package 3 Weight	9910 g

Contractual warranty

Warranty (in months)	18
----------------------	----



Environmental Data

Schneider Electric aims to achieve Net Zero status by 2050 through supply chain partnerships, lower impact materials, and circularity via our ongoing “Use Better, Use Longer, Use Again” campaign to extend product lifetimes and recyclability.

[Environmental Data explained >](#)

[How we assess product sustainability >](#)



Environmental footprint

Total lifecycle Carbon footprint	21 kg CO2 eq.
Environmental Disclosure	Product Environmental Profile
Carbon footprint of the manufacturing phase [A1 to A3]	0.3 kg CO2 eq.
Carbon footprint of the distribution phase [A4]	0 kg CO2 eq.
Carbon footprint of the installation phase [A5]	0 kg CO2 eq.
Carbon footprint of the use phase [B2, B3, B4, B6]	21 kg CO2 eq.
Carbon footprint of the end-of-life phase [C1 to C4]	0 kg CO2 eq.

Use Better



Materials and Substances

Packaging made with recycled cardboard	Yes
Packaging without single use plastic	Yes
EU RoHS Directive	Pro-active compliance (Product out of EU RoHS legal scope)
REACH Regulation	REACH Declaration

Use Longer



Lifetime extension

Repair	No
--------	----

Use Again

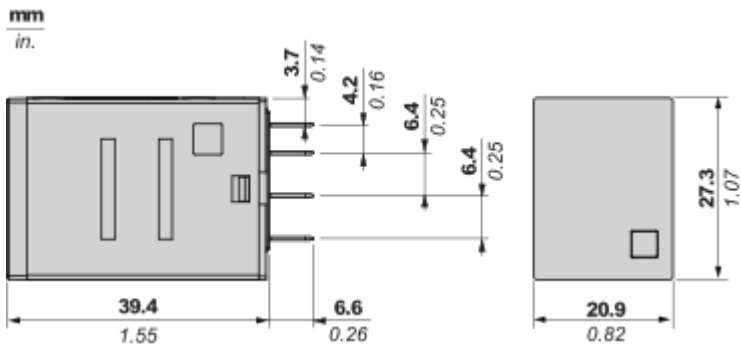


Repack and remanufacture

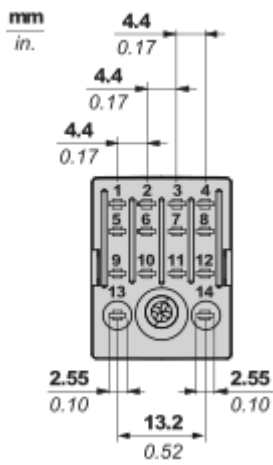
End of life manual availability	End of Life Information
Take-back	No

Dimensions Drawings

Dimensions



Pin Side View



Connections and Schema

Wiring Diagram

