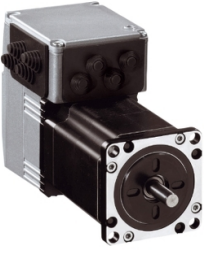


# Product datasheet

Specifications



integrated drive ILS with stepper motor - 24..36V- I/O for motion sequence- 3.5A

ILS1M572PC1A0

⚠ Discontinued on: 31 Mar 2022

⚠ End-of-service on: 18 Jun 2025

⚠ Discontinued

## Packing Units

|                        |     |
|------------------------|-----|
| Unit Type of Package 1 | PCE |
|------------------------|-----|

|                              |   |
|------------------------------|---|
| Number of Units in Package 1 | 1 |
|------------------------------|---|

## Contractual warranty

|                      |    |
|----------------------|----|
| Warranty (in months) | 18 |
|----------------------|----|



## Environmental Data

Schneider Electric aims to achieve Net Zero status by 2050 through supply chain partnerships, lower impact materials, and circularity via our ongoing “Use Better, Use Longer, Use Again” campaign to extend product lifetimes and recyclability.

[Environmental Data explained >](#)

[How we assess product sustainability >](#)

### Use Better

#### Materials and Substances

|  |  |
|--|--|
| Packaging made with recycled cardboard | No   |
| Packaging without single use plastic   | No   |
| SCIP Number                            | F800009a-26ea-46d4-b613-164e8055f98f   |
| REACH Regulation                       | <a href="#">Reference contains Substances of Very High Concern above the threshold</a> |

### Use Longer

#### Lifetime extension

|        |    |
|--------|----|
| Repair | No |
|--------|----|

### Use Again

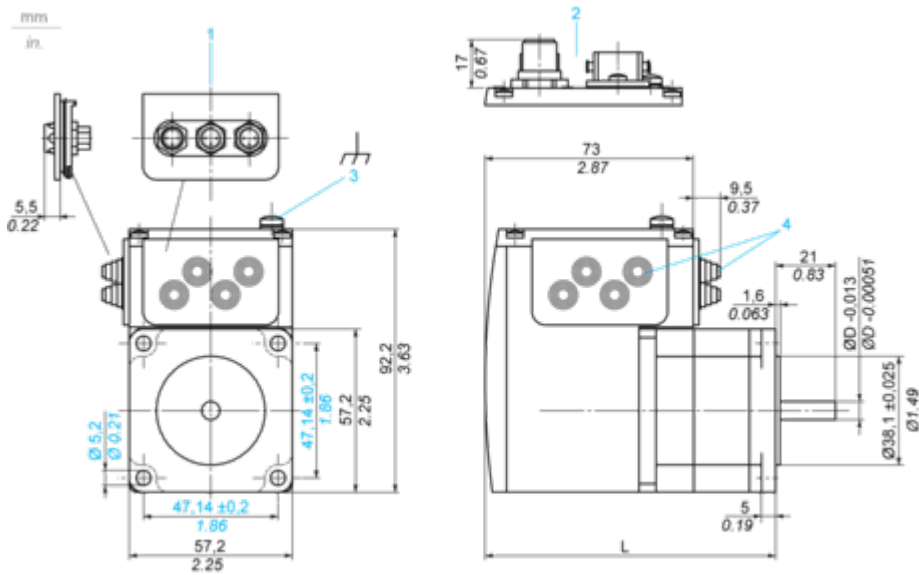
#### Repack and remanufacture

|           |    |
|-----------|----|
| Take-back | No |
|-----------|----|

Dimensions

Integrated Drive

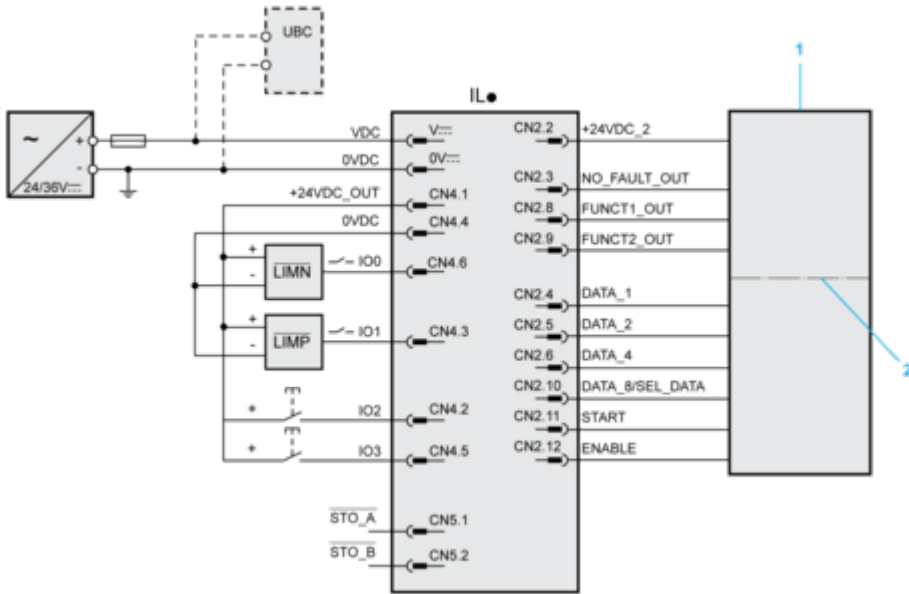
Dimensions



- 1 Accessories: I/O signal insert with industrial connectors
- 2 Option: industrial connectors
- 3 Earth (ground) terminal
- 4 Accessories: cable entries  $\varnothing = 3 \dots 9 \text{ mm} / 0.12 \dots 0.35 \text{ in.}$
- L 115.9 mm/4.56 in.
- D 6.35 mm/0.25 in.

Wiring

Connection Example with 4 I/O Signals

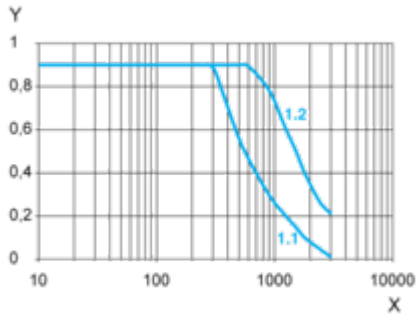


- 1 PLC
- 2 Galvanic isolation

PerformanceCurves

Torque Characteristics

---



X Speed of rotation in rpm

Y Torque in Nm

1.1 Max. torque at 24 V

1.2 Max. torque at 36 V