



insta contactor 0/1-automatic with 1 NO contact and 1 NC contact for 230 V AC, 400 V 20 A control 230 V AC 220 V DC

Figure similar

Model	
product brand name	SENTRON
product designation	Installation contactor
design of the product	1 NO contact 1 NC contact
General technical data	
relative ON period of magnet coil	100 %
type of voltage of the operating voltage	AC
type of voltage of the operating voltage for actuation	AC/DC
Supply voltage	
operating voltage rated value	
• minimum	230 V
• maximum	230 V
Protection class	
protection class IP	IP20
Dissipation	
power loss [W] for rated value of the current at AC in hot operating state per pole	1.7 W
Control current	
control supply voltage	
• rated value	230 V
• rated value maximum	230 V
• at DC rated value	220 V
Product details	
product component slide for manual operation	Yes
number of NC contacts	1
number of NO contacts	1
product extension installable supplementary devices	Yes
Connections	
installation or assembly note	provision must be made for spacers to ensure heat dissipation
Mechanical Design	
height	90 mm
width	17.5 mm
depth	71 mm
installation depth	70 mm
number of modular width units	1
Net Weight	145 g
Approvals Certificates	
Environment	General Product Approval

[Environmental Con-
firmations](#)

[Environmental Con-
firmations](#)



General Product Approval

Test Certificates

other

[Confirmation](#)



[Special Test Certific-
ate](#)

[Confirmation](#)



Further information

Information on the packaging

<https://support.industry.siemens.com/cs/ww/en/view/109813875>

Information for data generation and storage

<https://support.industry.siemens.com/cs/ww/en/view/109995012>

Information- and Downloadcenter (Catalogs, Brochures,...)

<https://www.siemens.com/lowvoltage/catalogs>

Industry Mall (Online ordering system)

<https://mall.industry.siemens.com/mall/en/en/Catalog/product?mlfb=5TT5001-6>

Service&Support (Manuals, Certificates, Characteristics, FAQs,...)

<https://support.industry.siemens.com/cs/ww/en/ps/5TT5001-6>

Image database (product images, 2D dimension drawings, 3D models, device circuit diagrams, ...)

https://www.automation.siemens.com/bilddb/cax_en.aspx?mlfb=5TT5001-6

CAX-Online-Generator

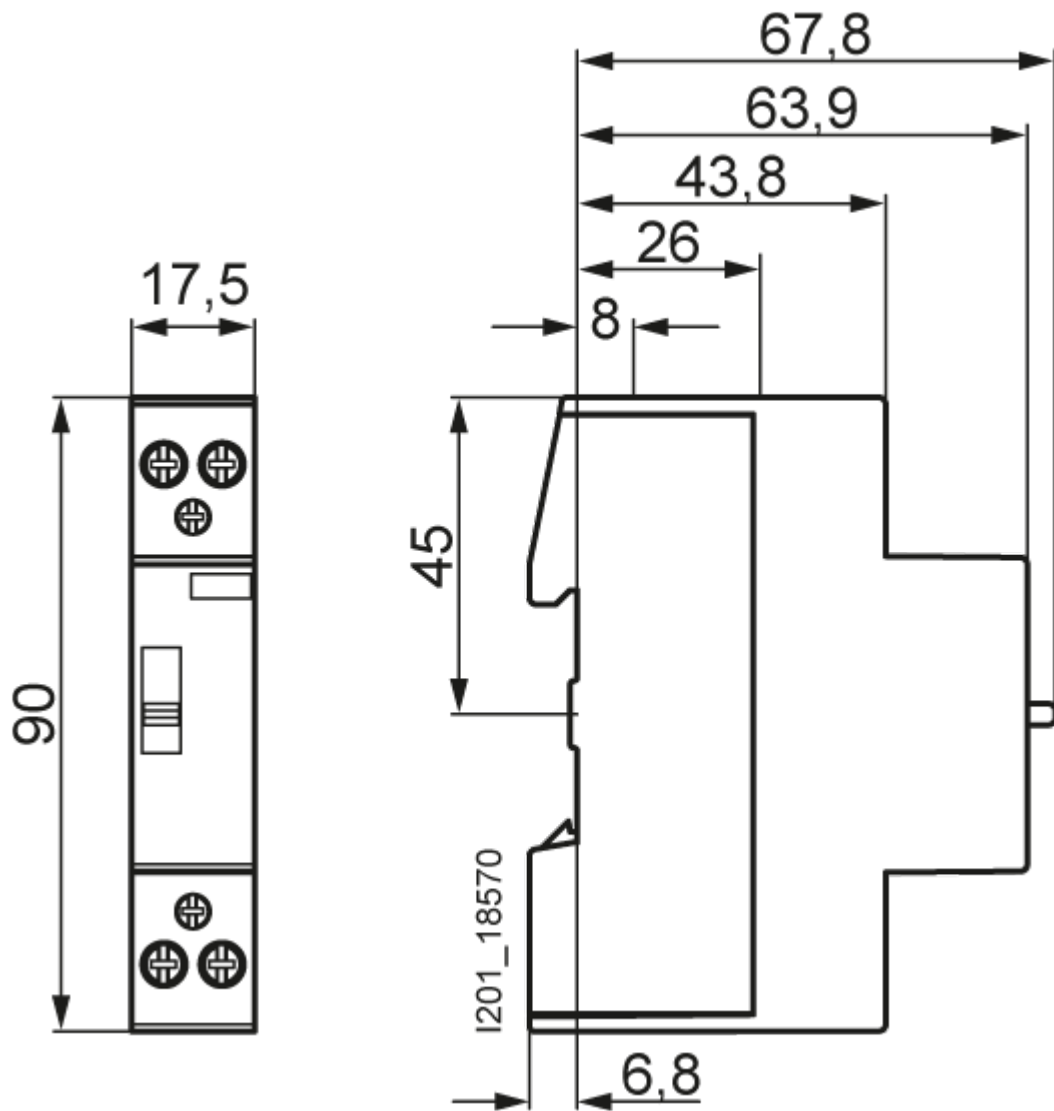
<https://www.siemens.com/cax>

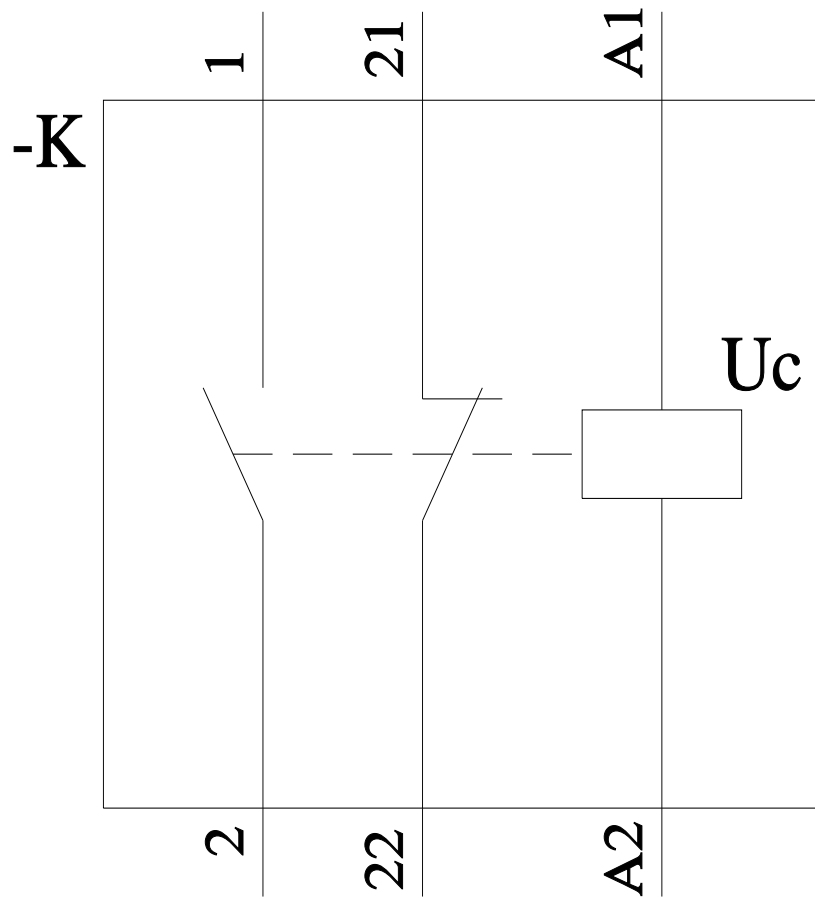
Tender specifications

<https://www.siemens.com/specifications>

Characteristic curves

[https://curves.simaris.siemens.com/curves/<mmp_prod_noCOMP="HAUPT"></mmp_prod_no>](https://curves.simaris.siemens.com/curves/<mmp_prod_noCOMP=)





last modified:

8/13/2025 