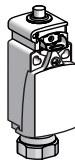


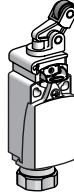




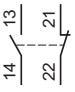
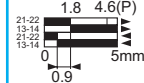
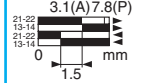
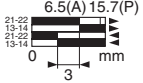
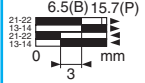
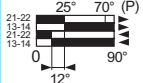
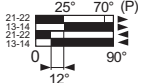

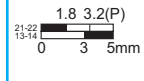
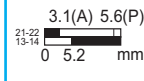
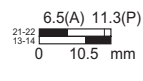
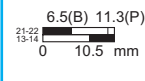
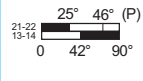
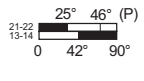
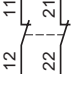
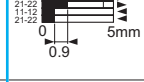
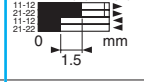
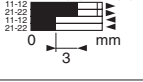
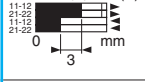
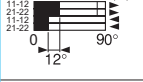
Limit switches

XC Standard range

Compact design, plastic, with reset, XCPR

Complete switches with 1 cable entry

Type of head	Plunger (fixing by the body)				Rotary (fixing by the body)	
						
Type of operator	Metal end plunger	Steel roller plunger	Thermoplastic roller lever plunger, horizontal actuation in 1 direction	Thermoplastic roller lever plunger, vertical actuation in 1 direction	Thermoplastic roller lever	Steel roller lever

References of complete switches with 1 ISO M20 x 1.5 cable entry							
	2-pole NC + NO snap action (XE2SP2151)	XCPR2110P20 	XCPR2102P20 	XCPR2121P20 	XCPR2127P20 	XCPR2118P20 	XCPR2119P20 
	2-pole NC + NO break before make, slow break (XE2NP2151)	XCPR2510P20 	XCPR2502P20 	XCPR2521P20 	XCPR2527P20 	XCPR2518P20 	XCPR2519P20 
	2-pole NC + NC snap action (XE2SP2141)	XCPR2910P20 	XCPR2902P20 	XCPR2921P20 	XCPR2927P20 	XCPR2918P20 	–
Weight (kg)	0.115	0.115	0.125	0.120	0.155	–	

References of complete switches with 1 Pg 13.5 cable entry

For complete switches with 1 Pg 13.5 cable entry replace P20 by G13.

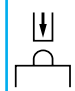
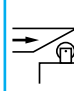




Example: XCPR2110P20 becomes XCPR2110G13.

References of complete switches with 1 entry for 1/2" NPT conduit

For complete switches with 1 entry for 1/2" NPT conduit replace P20 by N12.

Example: XCPR2110P20 becomes XCPR2110N12.

Contact operation	 closed  open	(A) (B) = cam displacement (P) = positive opening point	 NC contact with positive opening operation
--------------------------	--	--	--

Characteristics						
Switch actuation	On end	By 30° cam				
Type of actuation						
Maximum actuation speed	0.5 m/s	1 m/s			1.5 m/s	
Minimum force or torque	For tripping	15 N	12 N	6 N	0.1 N.m	
	For positive opening	45 N	36 N	18 N	0.25 N.m	
Cable entry	1 entry tapped M20 x 1.5 mm for ISO cable gland, clamping capacity 7 to 13 mm 1 entry tapped Pg 13.5 for cable gland, clamping capacity 9 to 12 mm 1 entry tapped for 1/2" NPT (USAS B2-1) conduit					
Other versions	Complete switches with cable entries other than those listed above. please consult our Customer Care Centre.					