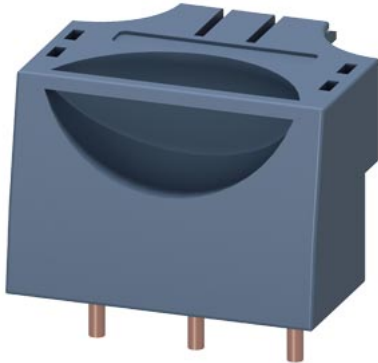


Cable connector size S00 screw terminal



product brand name	SIRIUS		
product category	Plugs, adapters and terminals		
product designation	Connection plug		
design of the product	Size S00		
product type designation	3RV29		
General technical data			
certificate of suitability	CE / UL / CSA / CCC		
size of the circuit-breaker	S00		
power loss [W] for rated value of the current at AC in hot operating state per pole	0.4 W		
type of calculation of power loss current-dependent	quadratic		
protection class IP on the front according to IEC 60529	IP20		
thermal current	16 A		
Substance Prohibitance (day/month/year)	10/01/2009		
Net Weight	0.042 kg		
number of poles for main current circuit	3		
operating voltage at AC rated value	500 V		
operational current rated value	16 A		
ampacity maximum	16 A		
UL/CSA ratings			
operating voltage at AC according to UL rated value	600 V		
Ambient conditions			
ambient temperature			
• during operation	-20 ... +60 °C		
• during storage	-50 ... +80 °C		
Electrical Safety			
protection class IP on the front according to IEC 60529	IP20		
touch protection on the front according to IEC 60529	finger-safe, for vertical contact from the front		
Installation/ mounting/ dimensions			
height	42 mm		
width	45 mm		
depth	54 mm		
Approvals Certificates			
Environmental Product Declaration			
• global warming potential [CO2 eq] / during manufacturing	0.313 kg		
• global warming potential [CO2 eq] / during operation	8.72 kg		
• global warming potential [CO2 eq] / after end of life	0.0218 kg		
• global warming potential [CO2 eq] / total	9.06 kg		
Environment	General Product Approval	Test Certificates	Maritime application

[Environmental Con-
firmations](#)



[Special Test Certific-
ate](#)



Maritime application

other



[Miscellaneous](#)

other

Railway

[Confirmation](#)

[Miscellaneous](#)



[Special Test Certific-
ate](#)

Further information

Information on the packaging

<https://support.industry.siemens.com/cs/ww/en/view/109813875>

Information for data generation and storage

<https://support.industry.siemens.com/cs/ww/en/view/109995012>

Information- and Downloadcenter (Catalogs, Brochures,...)

<https://www.siemens.com/ic10>

Industry Mall (Online ordering system)

<https://mall.industry.siemens.com/mall/en/en/Catalog/product?mlfb=3RV2917-5CA00>

Cax online generator

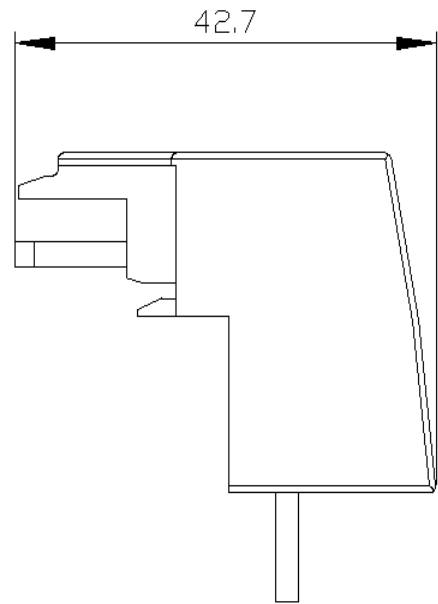
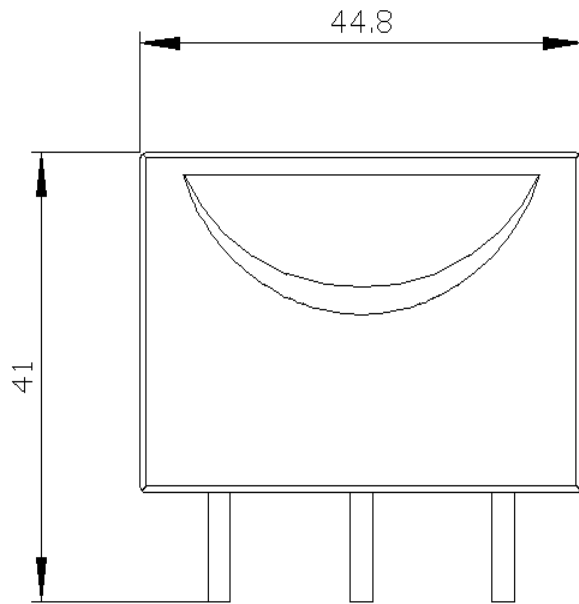
<https://support.automation.siemens.com/WW/CAXorder/default.aspx?lang=en&mlfb=3RV2917-5CA00>

Service&Support (Manuals, Certificates, Characteristics, FAQs,...)

<https://support.industry.siemens.com/cs/ww/en/ps/3RV2917-5CA00>

Image database (product images, 2D dimension drawings, 3D models, device circuit diagrams, EPLAN macros, ...)

https://www.automation.siemens.com/bilddb/cax_de.aspx?mlfb=3RV2917-5CA00&lang=en



last modified:

4/2/2025 