

Ordering information for XT1 UL/CSA Circuit breakers

XT1 125A TMF - Fixed (F) - 3 poles - Front terminals (F) - UL/CSA

Thermal magnetic trip unit			Int Rtnng (480V)	N 25kA Catalog number	S 35kA Catalog number	H 65kA Catalog number
Type	In	I ₃				
TMF	15	500		XT1NU3015AFF000XXX	XT1SU3015AFF000XXX	XT1HU3015AFF000XXX
	20	500		XT1NU3020AFF000XXX	XT1SU3020AFF000XXX	XT1HU3020AFF000XXX
	25	500		XT1NU3025AFF000XXX	XT1SU3025AFF000XXX	XT1HU3025AFF000XXX
	30	500		XT1NU3030AFF000XXX	XT1SU3030AFF000XXX	XT1HU3030AFF000XXX
	35	500		XT1NU3035AFF000XXX	XT1SU3035AFF000XXX	XT1HU3035AFF000XXX
	40	500		XT1NU3040AFF000XXX	XT1SU3040AFF000XXX	XT1HU3040AFF000XXX
	45	500		XT1NU3045AFF000XXX	XT1SU3045AFF000XXX	XT1HU3045AFF000XXX
	50	500		XT1NU3050AFF000XXX	XT1SU3050AFF000XXX	XT1HU3050AFF000XXX
	60	600		XT1NU3060AFF000XXX	XT1SU3060AFF000XXX	XT1HU3060AFF000XXX
	70	700		XT1NU3070AFF000XXX	XT1SU3070AFF000XXX	XT1HU3070AFF000XXX
	80	800		XT1NU3080AFF000XXX	XT1SU3080AFF000XXX	XT1HU3080AFF000XXX
	90	900		XT1NU3090AFF000XXX	XT1SU3090AFF000XXX	XT1HU3090AFF000XXX
	100	1000		XT1NU3100AFF000XXX	XT1SU3100AFF000XXX	XT1HU3100AFF000XXX
	110	1100		XT1NU3110AFF000XXX	XT1SU3110AFF000XXX	XT1HU3110AFF000XXX
	125	1250		XT1NU3125AFF000XXX	XT1SU3125AFF000XXX	XT1HU3125AFF000XXX

7

XT1 125A TMF - Fixed (F) - 4 poles - Front terminals (F) - UL/CSA

Thermal magnetic trip unit			Int Rtnng (480V)	N 25kA Catalog number	S 35kA Catalog number	H 65kA Catalog number
Type	In	I ₃				
TMF	15	500		XT1NU4015AFF000XXX	XT1SU4015AFF000XXX	XT1HU4015AFF000XXX
	20	500		XT1NU4020AFF000XXX	XT1SU4020AFF000XXX	XT1HU4020AFF000XXX
	25	500		XT1NU4025AFF000XXX	XT1SU4025AFF000XXX	XT1HU4025AFF000XXX
	30	500		XT1NU4030AFF000XXX	XT1SU4030AFF000XXX	XT1HU4030AFF000XXX
	35	500		XT1NU4035AFF000XXX	XT1SU4035AFF000XXX	XT1HU4035AFF000XXX
	40	500		XT1NU4040AFF000XXX	XT1SU4040AFF000XXX	XT1HU4040AFF000XXX
	45	500		XT1NU4045AFF000XXX	XT1SU4045AFF000XXX	XT1HU4045AFF000XXX
	50	500		XT1NU4050AFF000XXX	XT1SU4050AFF000XXX	XT1HU4050AFF000XXX
	60	600		XT1NU4060AFF000XXX	XT1SU4060AFF000XXX	XT1HU4060AFF000XXX
	70	700		XT1NU4070AFF000XXX	XT1SU4070AFF000XXX	XT1HU4070AFF000XXX
	80	800		XT1NU4080AFF000XXX	XT1SU4080AFF000XXX	XT1HU4080AFF000XXX
	90	900		XT1NU4090AFF000XXX	XT1SU4090AFF000XXX	XT1HU4090AFF000XXX
	100	1000		XT1NU4100AFF000XXX	XT1SU4100AFF000XXX	XT1HU4100AFF000XXX
	110	1100		XT1NU4110AFF000XXX	XT1SU4110AFF000XXX	XT1HU4110AFF000XXX
	125	1250		XT1NU4125AFF000XXX	XT1SU4125AFF000XXX	XT1HU4125AFF000XXX

XT1 125A MCP (MA) Fixed (F) - 3 poles - Front terminals (F) - UL/CSA

Magnetic trip unit			Int Rtnng (480V)	H 65kA Catalog number
Type	In	I ₃		
MCP	3	9...33		XT1HU3003MFF000XXX
	7	21...77		XT1HU3007MFF000XXX
	15	45...165		XT1HU3015MFF000XXX
	30	90...330		XT1HU3030MFF000XXX
	50	150...550		XT1HU3050MFF000XXX
	70	210...770		XT1HU3070MFF000XXX
	80	240...880		XT1HU3080MFF000XXX
	100	300...1100		XT1HU3100MFF000XXX
	125	375...1375		XT1HU3125MFF000XXX

XT1 125A Switch - Fixed (F) - 3 poles - Front terminals (F) - UL/CSA

No Trip Unit			Int Rtnng (480V)	N 25kA Catalog number	S 35kA Catalog number	H 65kA Catalog number		
Type	In	Mag. Override						
D	125	1000		XT1NU3125DFF000XXX	XT1SU3125DFF000XXX	XT1HU3125DFF000XXX		

XT1 125A Switch - Fixed (F) - 4 poles - Front terminals (F) - UL/CSA

No Trip Unit			Int Rtnng (480V)	N 25kA Catalog number	S 35 kA Catalog number	H 65k Catalog number		
Type	In	Mag. Override						
D	125	1000		XT1NU4125DFF000XXX	XT1SU4125DFF000XXX	XT1HU4125DFF000XXX		

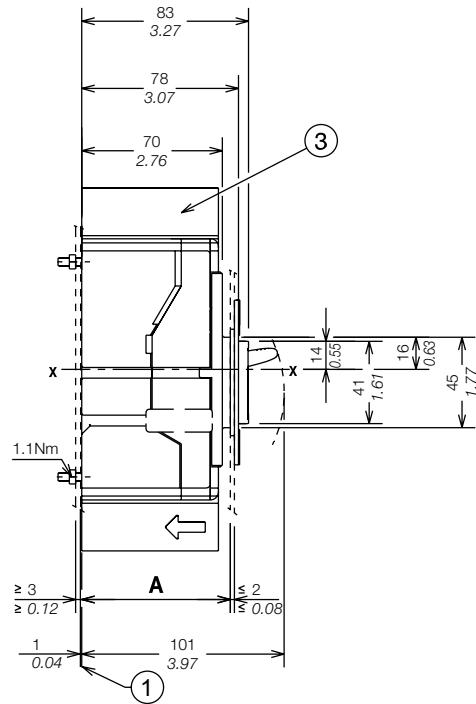
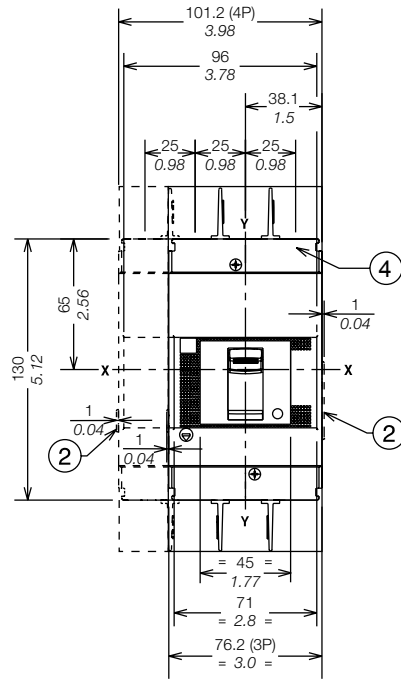
Approximate dimensions

Tmax XT1 - Installation for fixed circuit breaker

Mounting on the backplate

Captions

- ① Insulating plate (compulsory)
- ② Overall dimension of optional wiring ducts
- ③ 25mm insulating barriers between phases (compulsory) provided
- ④ Front carter obligatory for through door of the panel $\leq 25\text{mm}/0,98''$

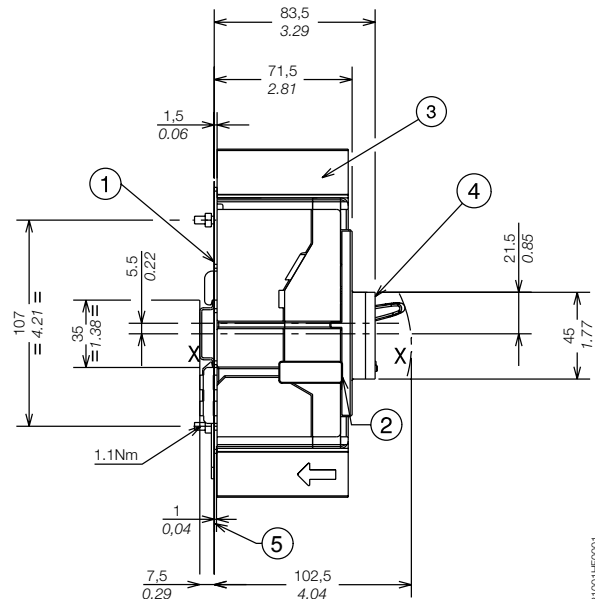
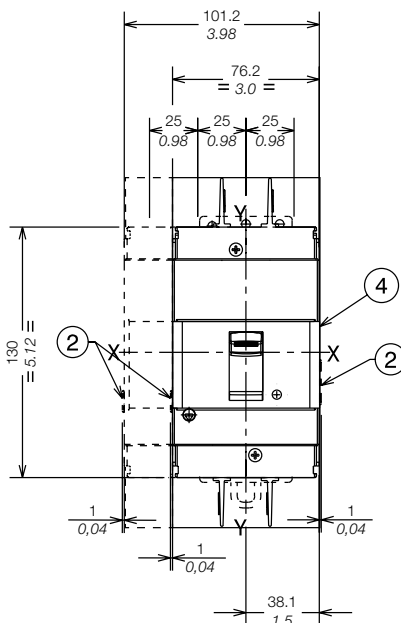


	A	
With standard flange	III - IV	74
Without flange	III - IV	71
	III - IV	79

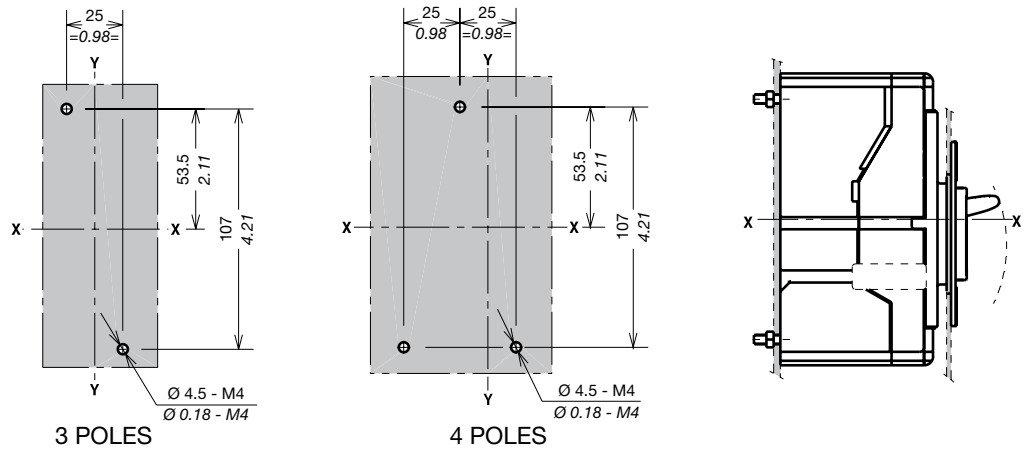
Mounting on DIN 50022 rail

Captions

- ① Mounting bracket
- ② Overall dimension of optional wiring ducts
- ③ 25mm insulating barriers between phases (compulsory) provided
- ④ Optional front cover for DIN rail
- ⑤ Insulating plate (compulsory)



Drilling template for circuit breaker mounting

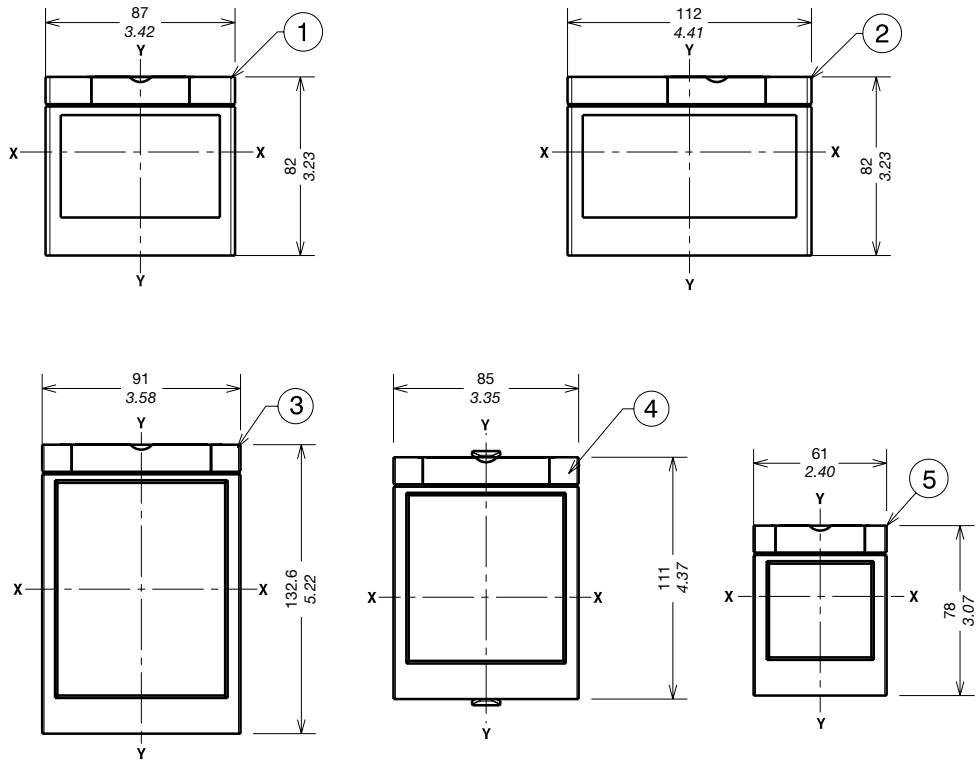


1SDC21002HF0001

Flanges

Captions

- ① Flange for circuit breaker III
- ② Flange for circuit breaker IV
- ③ Flange for fixed III-IV with direct motor operator (MOD)
- ④ Flange for III-IV with direct rotary handle (RHD)
- ⑤ Optional flange



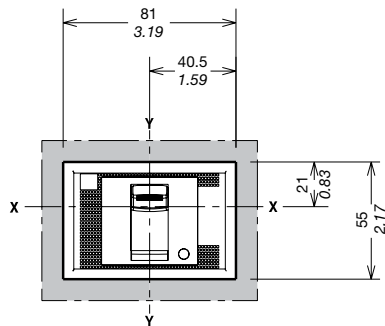
1SDC21003HF0001

Approximate dimensions

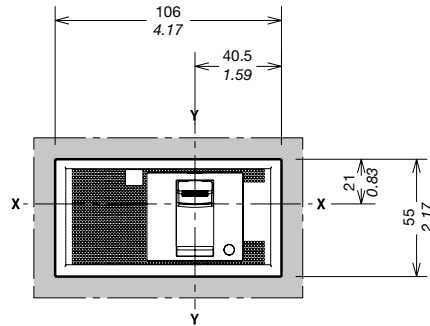
Tmax XT1 - Installation for fixed circuit breaker

Drilling templates for compartment door

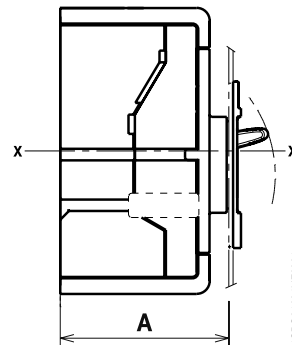
With standard flange



A=74
3 POLES

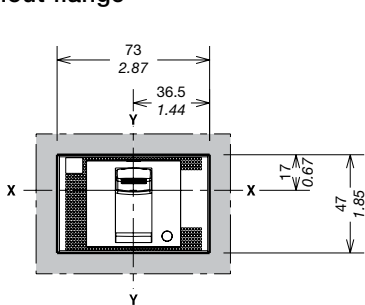


A=74
4 POLES

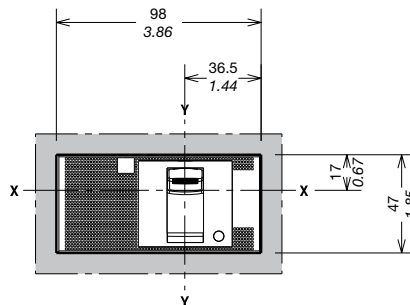


1SDC21008HF0001

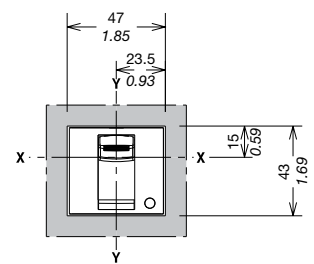
Without flange



A=71
3 POLES



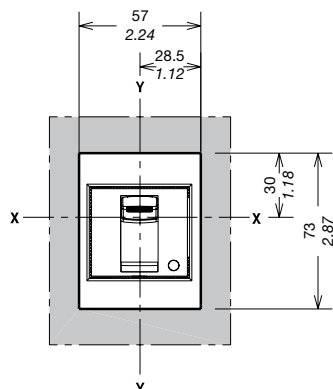
A=71
4 POLES



A=79
3-4 POLES

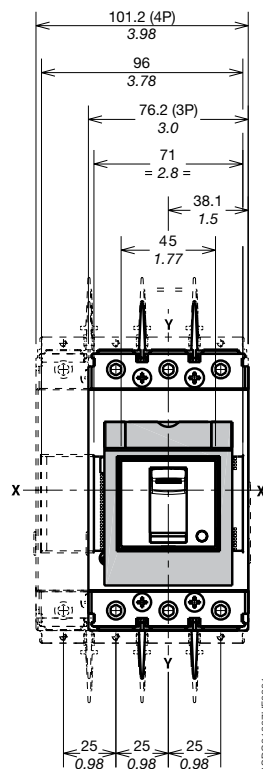
1SDC21009HF0001

With optional flange



A=79
3-4 POLES

1SDC21008HF0001



1SDC21007HF0001