



Withdrawable drive for contactors 3RT105 AC (50...60 Hz) / DC operation, 500 ... 550 V, Operating mechanism: Standard,economy circuit Screw terminal Reduced break time 20 ms

product brand name	SIRIUS
product category	Solenoid coils
product designation	Changeover operating mechanism
product type designation	3RT19
<b>General technical data</b>	
Substance Prohibitation (Date)	05/01/2012
SVHC substance name	Lead - 7439-92-1 2,2',6,6'-tetrabromo-4,4'-isopropylidenediphenol - 79-94-7
Net Weight	0.574 kg
type of voltage of the control supply voltage	AC/DC
control supply voltage 1 at AC	
• at 50 Hz	500 ... 550 V
• at 60 Hz	500 ... 550 V
control supply voltage 2 at AC	
• at 50 Hz rated value	550 V
• at 60 Hz rated value	550 V
control supply voltage 1 at DC	500 ... 550 V
control supply voltage 2 at DC rated value	550 V
apparent pick-up power of magnet coil at AC	
• at 50 Hz	300 VA
• at 60 Hz	300 VA
inductive power factor with closing power of the coil	
• at 50 Hz	0.9
• at 60 Hz	0.9
apparent holding power of magnet coil at AC	
• at 50 Hz	5.8 VA
• at 60 Hz	5.8 VA
inductive power factor with the holding power of the coil	
• at 50 Hz	0.8
• at 60 Hz	0.8

### Further information

#### Information on the packaging

<https://support.industry.siemens.com/cs/ww/en/view/109813875>

#### Information for data generation and storage

<https://support.industry.siemens.com/cs/ww/en/view/109995012>

#### Information- and Downloadcenter (Catalogs, Brochures,...)

<https://www.siemens.com/ic10>

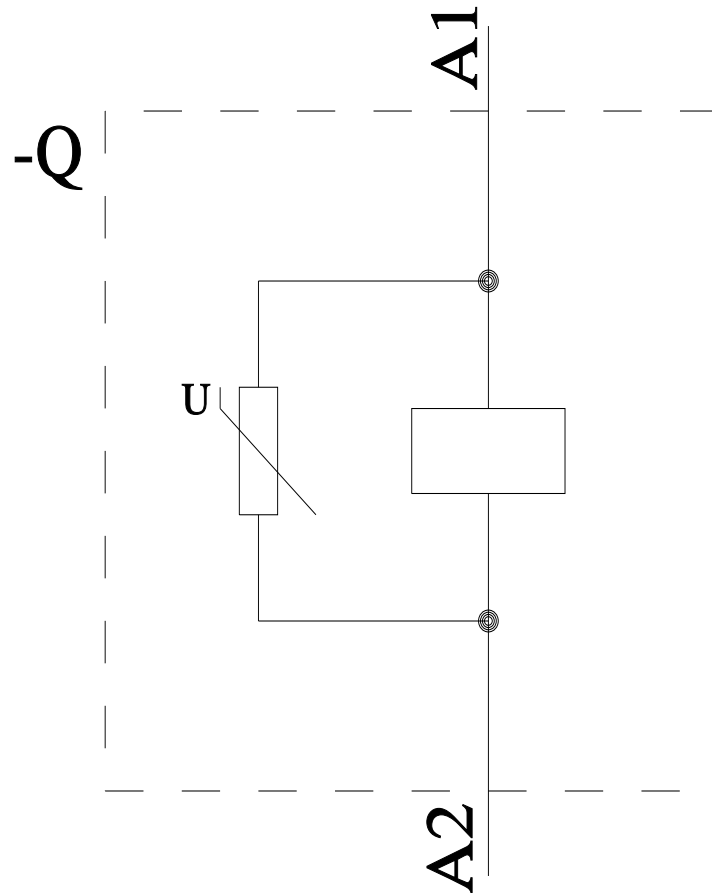
#### Industry Mall (Online ordering system)

<https://mall.industry.siemens.com/mall/en/en/Catalog/product?mlfb=3RT1955-5AS31-0ST0>

#### Cax online generator

<https://support.automation.siemens.com/WW/CAXorder/default.aspx?lang=en&mlfb=3RT1955-5AS31-0ST0>

#### Service&Support (Manuals, Certificates, Characteristics, FAQs,...)



last modified:

4/2/2025 ↻