



Circuit breaker 16 A A-release 10...16 A, N-release 208 A, for motor protection, class 10, screw connection, standard switching capacity

<b>product brand name</b>	SIRIUS
<b>product designation</b>	Circuit breaker
<b>design of the product</b>	for motor protection
<b>product type designation</b>	3RV6
<b>General technical data</b>	
<b>size of the circuit-breaker</b>	S0
<b>power loss [W] total typical</b>	7 W
power loss [W] for rated value of the current at AC in hot operating state per pole	3.1 W
<b>type of calculation of power loss current-dependent</b>	quadratic
insulation voltage with degree of pollution 3 at AC rated value	690 V
<b>surge voltage resistance rated value</b>	6 kV
<b>shock resistance according to IEC 60068-2-27</b>	25 g / 11 ms
<b>Substance Prohibitance (day/month/year)</b>	05/01/2012
<b>Net Weight</b>	0.363 kg
<b>Ambient conditions</b>	
installation altitude at height above sea level maximum	2 000 m
<b>ambient temperature</b>	
• during operation	-20 ... +60 °C
• during transport	-50 ... +80 °C
relative humidity during operation	10 ... 95 %
<b>Main circuit</b>	
<b>number of poles for main current circuit</b>	3
<b>adjustable current response value current of the current-dependent overload release</b>	10 ... 16 A
<b>operating voltage</b>	
• rated value	690 V
• at AC-3 rated value maximum	690 V
<b>operating frequency rated value</b>	50 ... 60 Hz
<b>operational current rated value</b>	16 A
operational current at AC-3 at 400 V rated value	16 A
operating frequency at AC-3 maximum	15 1/h
<b>Protective and monitoring functions</b>	
<b>trip class</b>	CLASS 10
<b>design of the overload release</b>	thermal
maximum short-circuit current breaking capacity (I <sub>cu</sub> ) at AC at 400 V rated value	55 kA
operating short-circuit current breaking capacity (I <sub>cs</sub> ) at AC at 400 V rated value	25 kA
response value current of instantaneous short-circuit trip unit	208 A

Short-circuit protection	
product function short circuit protection	Yes
design of the short-circuit trip	magnetic

Installation/ mounting/ dimensions	
mounting position	any
fastening method	screw and snap-on mounting onto 35 mm DIN rail according to DIN EN 60715
height	97 mm
width	45 mm
depth	97 mm
required spacing for grounded parts	
<ul style="list-style-type: none"> <li>forwards</li> <li>backwards</li> <li>upwards</li> <li>at the side</li> <li>downwards</li> </ul>	0 mm 0 mm 50 mm 30 mm 50 mm

Connections/ Terminals	
type of electrical connection	
<ul style="list-style-type: none"> <li>for main current circuit</li> </ul>	screw-type terminals
arrangement of electrical connectors for main current circuit	Top and bottom
type of connectable conductor cross-sections for main contacts	
<ul style="list-style-type: none"> <li>solid or stranded</li> <li>finely stranded with core end processing</li> </ul>	2x (1 ... 2.5 mm <sup>2</sup> ), 2x (2.5 ... 10 mm <sup>2</sup> ) 2x (1 ... 2.5 mm <sup>2</sup> ), 2x (2.5 ... 6 mm <sup>2</sup> ), 1x 10 mm <sup>2</sup>
tightening torque	
<ul style="list-style-type: none"> <li>for main contacts with screw-type terminals</li> </ul>	2 ... 2.5 N·m

Electrical Safety	
protection class IP on the front according to IEC 60529	IP20
touch protection on the front according to IEC 60529	finger-safe, for vertical contact from the front



**Approvals Certificates**

General Product Approval	Test Certificates
 CCC	 UL
 EAC	 EG-Konf.

[Confirmation](#)

[Type Test Certificates/Test Report](#)

**Maritime application**

Maritime application	other
 LRS	 产品合格 QC PASS

[CCS \(China Classification Society\)](#)

[Confirmation](#)

[Miscellaneous](#)

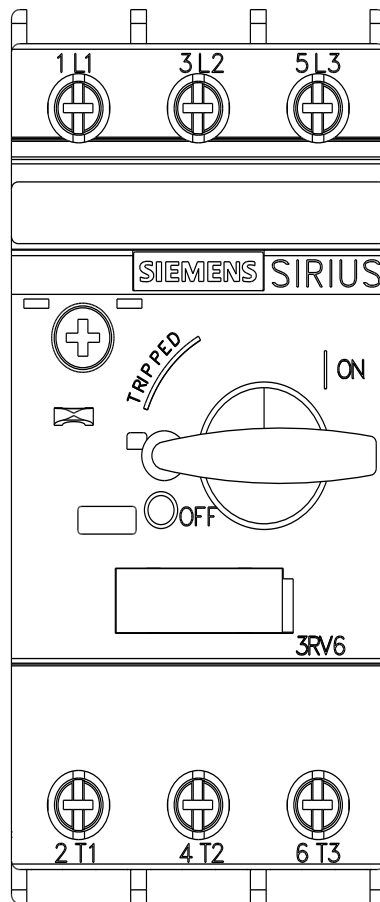
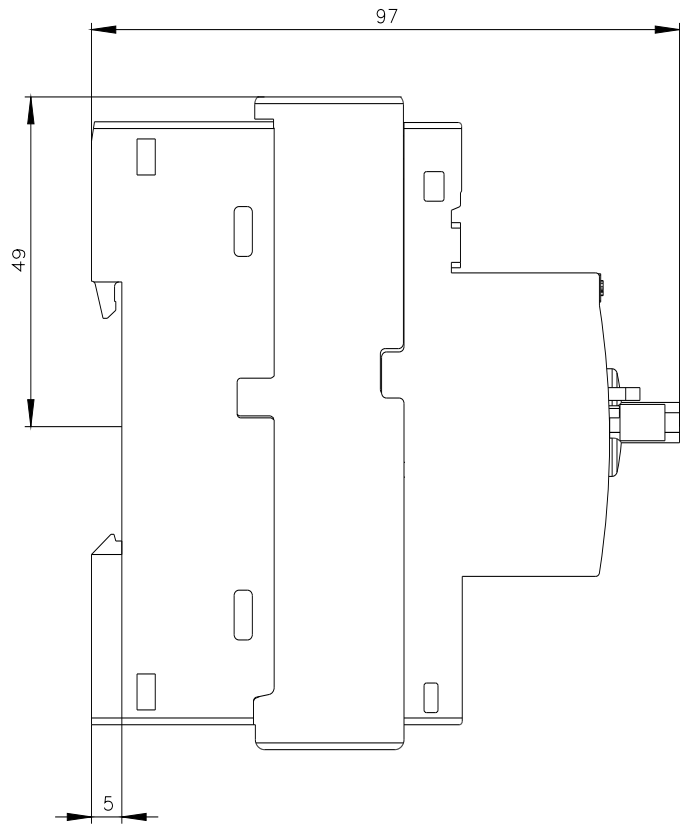
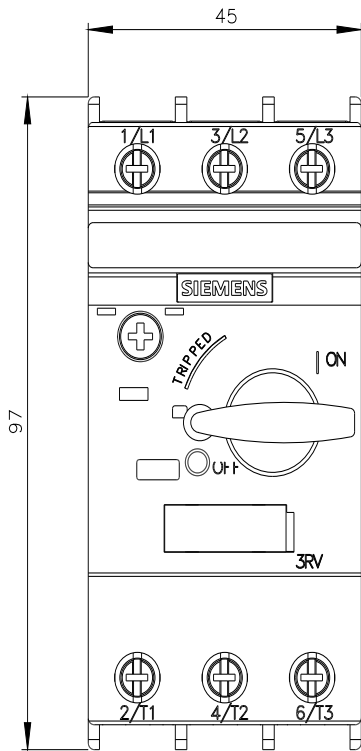
[Confirmation](#)

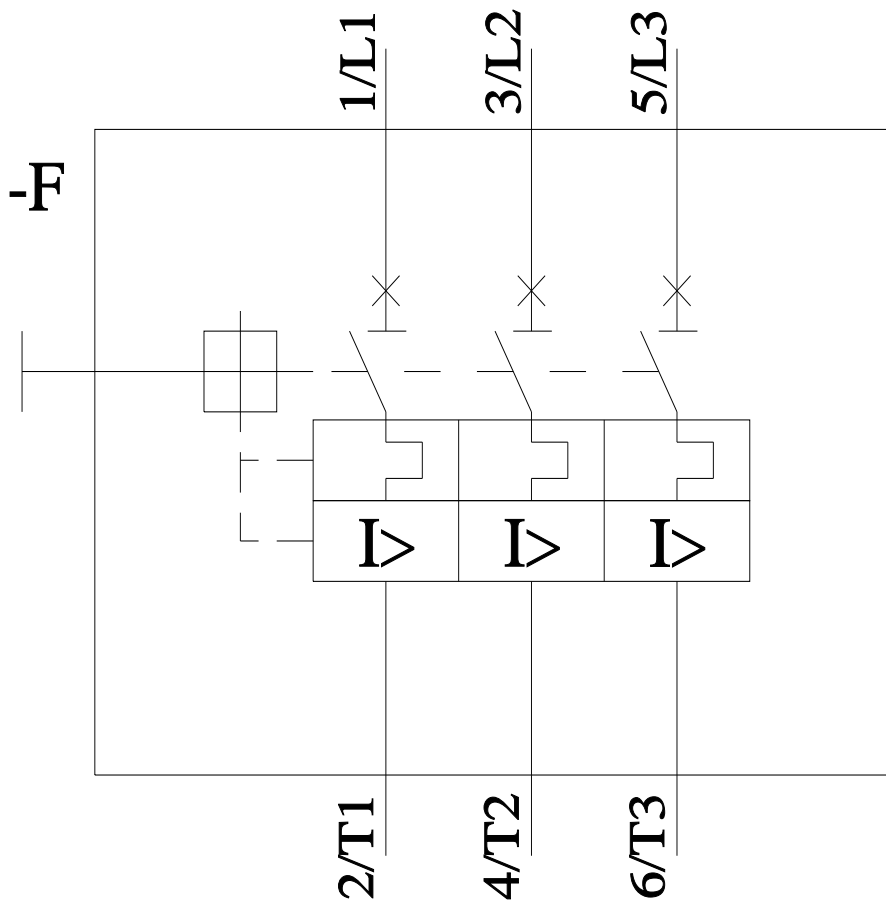
**Environment**

[Environmental Confirmations](#)

**Further information**

Service&Support (Manuals, Certificates, Characteristics, FAQs,...)  
<https://support.industry.siemens.com/cs/products?pnid=16027&lc=en-CN>





last modified:

5/16/2026 