

# Product datasheet

Specifications



## Sinus filter - 75 A - for Altivar Process variable speed drives

VW3A5218

---



## Environmental Data

Schneider Electric aims to achieve Net Zero status by 2050 through supply chain partnerships, lower impact materials, and circularity via our ongoing “Use Better, Use Longer, Use Again” campaign to extend product lifetimes and recyclability.

[Environmental Data explained >](#)

[How we assess product sustainability >](#)

### Use Longer



#### Lifetime extension

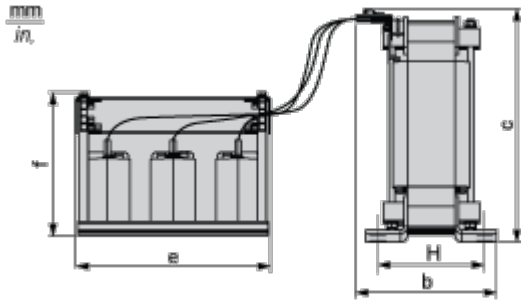
Repair

No

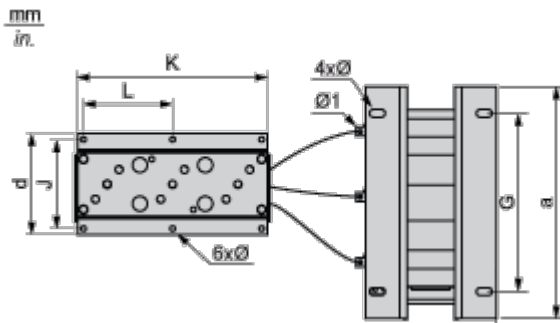
Dimensions Drawings

Dimensions

Front View



Top View



Dimensions in mm

a	b	c	G	H	4Ø	Ø1	d	e	f	J	K	L	6Ø
392	245	375	370	180	13 x 27	6.6	170	240	330	150	300	150	9

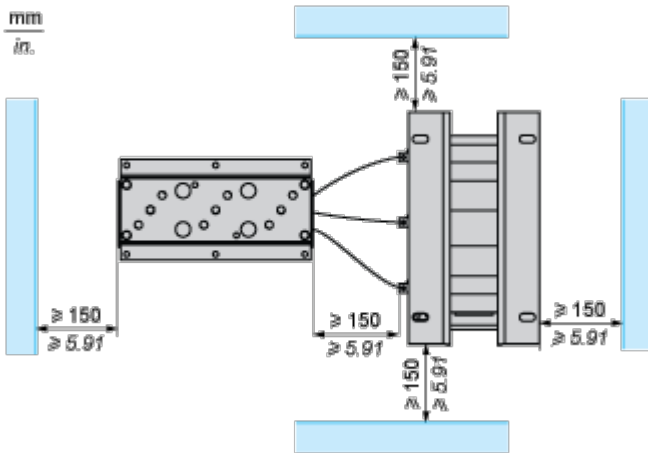
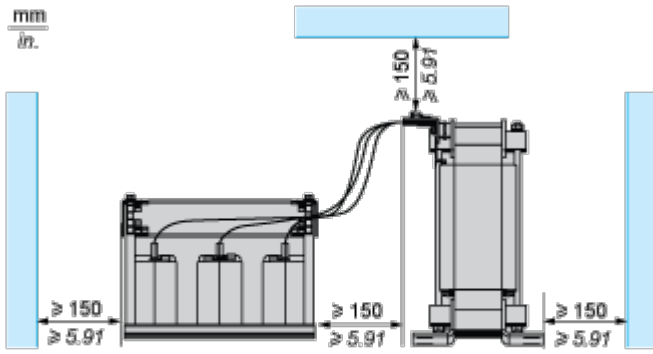
Dimensions in in.

a	b	c	G	H	4Ø	Ø1	d	e	f	J	K	L	6Ø
15.43	9.65	14.76	14.57	7.09	0.51 x 1.06	0.26	6.69	9.45	12.99	5.91	11.81	5.91	0.35

Mounting and Clearance

Mounting Recommendations

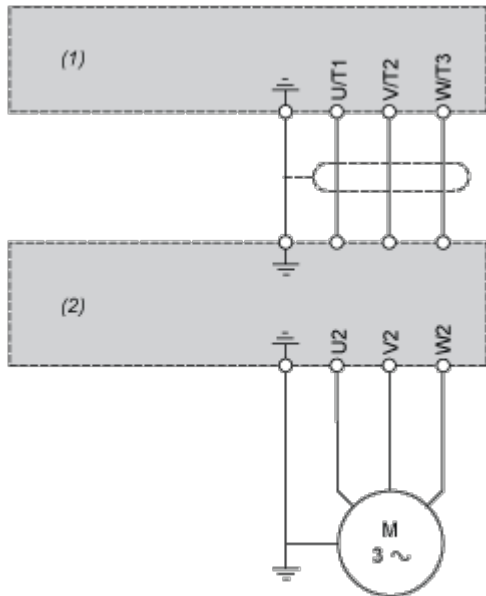
---



Connections and Schema

Recommended Schema

---



- (1) Drive
- (2) Filter