



power relay, AC-3, 8.4 A, 4 kW / 400 V, 3-pole, 24 V DC, auxiliary contacts: 1 NC, screw terminal

Figure similar

consumed active power	4 W
reference code according to IEC 81346-2	K
Substance Prohibitance (day/month/year)	07/01/2006
Net Weight	0.16 g
ambient temperature during operation	-25 ... +55 °C
number of poles	4
number of NO contacts for main contacts	3
number of NC contacts for main contacts	0
type of voltage	DC
operational current	
• at AC-1 at 400 V rated value	20 A
• at AC-3 at 400 V rated value	8.4 A
• at AC-3e at 400 V rated value	6.4 A
operating power	
• at AC-3 at 400 V rated value	4 kW
• at AC-3e at 400 V rated value	3 kW
control supply voltage at DC rated value	24 V
number of NC contacts for auxiliary contacts	1
number of NO contacts for auxiliary contacts	0
number of CO contacts for auxiliary contacts	0
fastening method side-by-side mounting	Yes
fastening method	screw and snap-on mounting onto 35 mm DIN rail
height	62 mm
width	36 mm
depth	60 mm
type of electrical connection	
• for main current circuit	screw-type terminals
• for auxiliary and control circuit	screw-type terminals
Safety related data	
product function	
• mirror contact according to IEC 60947-4-1	Yes
• suitable for safety function	Yes
service life maximum	20 a
proportion of dangerous failures	
• with low demand rate according to SN 31920	40 %
• with high demand rate according to SN 31920	73 %
B10 value with high demand rate according to SN 31920	400 000
failure rate [FIT] with low demand rate according to SN	100 1/s

31920	
ISO 13849	
device type according to ISO 13849-1	3
overdimensioning according to ISO 13849-2 necessary	Yes
IEC 61508	
safety device type according to IEC 61508-2	Type A
Electrical Safety	
protection class IP on the front according to IEC 60529	IP00

Approvals Certificates

Environment	General Product Approval
-------------	--------------------------

[Environmental Conformations](#)



Test Certificates	other
-------------------	-------

[Type Test Certificates/Test Report](#)

[Special Test Certificate](#)

[Confirmation](#)

[Confirmation](#)

[Miscellaneous](#)



Further information

Information on the packaging

<https://support.industry.siemens.com/cs/ww/en/view/109813875>

Information for data generation and storage

<https://support.industry.siemens.com/cs/ww/en/view/109995012>

Information- and Downloadcenter (Catalogs, Brochures,...)

<https://www.siemens.com/ic10>

Industry Mall (Online ordering system)

<https://mall.industry.siemens.com/mall/en/en/Catalog/product?mlfb=3TG1001-0BB4>

Service&Support (Manuals, Certificates, Characteristics, FAQs,...)

<https://support.industry.siemens.com/cs/ww/en/ps/3TG1001-0BB4>

Image database (product images, 2D dimension drawings, 3D models, device circuit diagrams, EPLAN macros, ...)

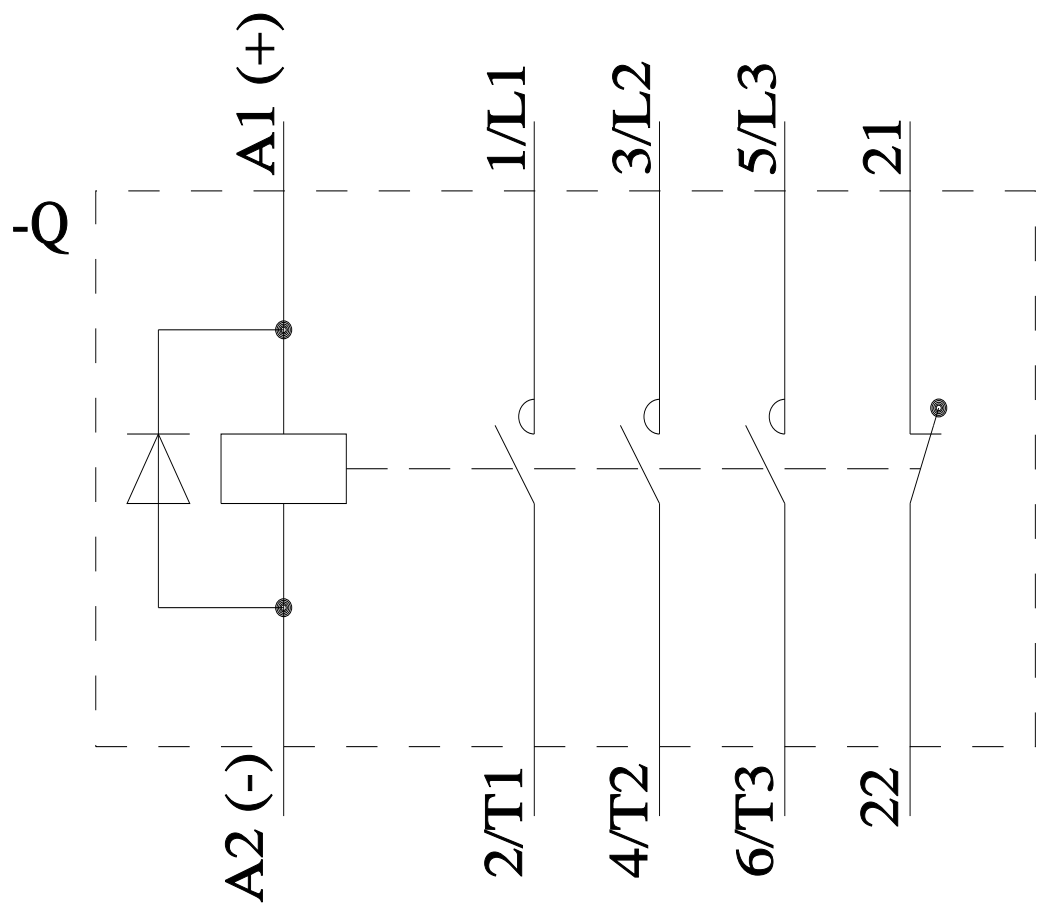
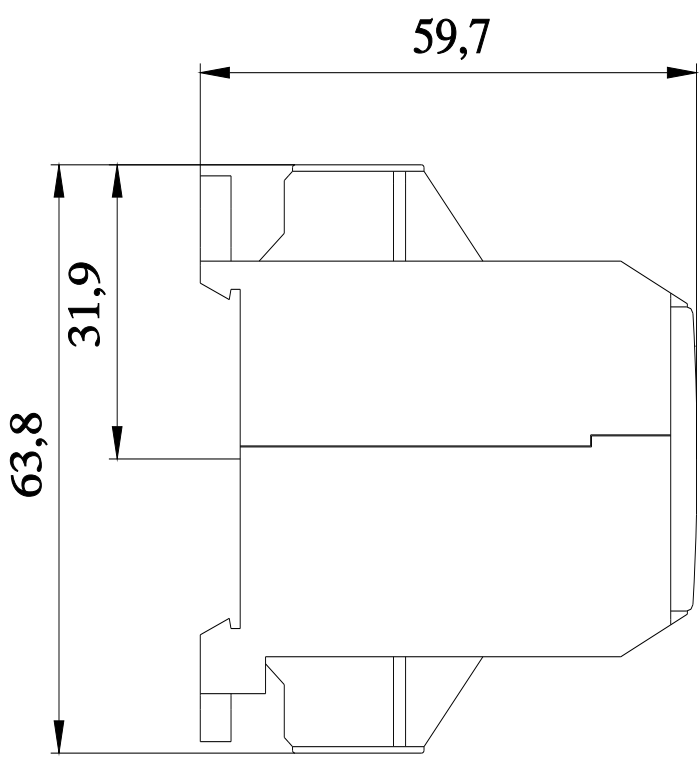
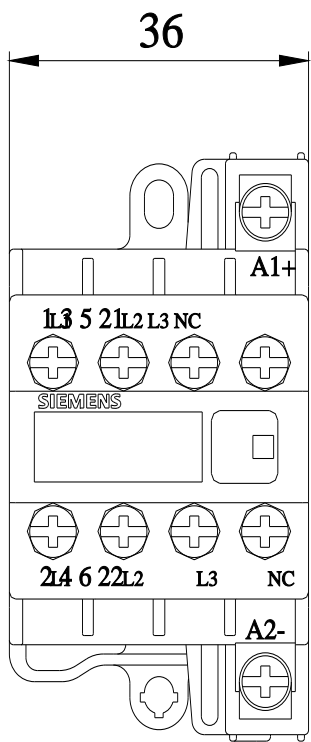
https://www.automation.siemens.com/bilddb/cax_de.aspx?mlfb=3TG1001-0BB4&lang=en

Cax online generator

<https://support.automation.siemens.com/WW/CAXorder/default.aspx?lang=en&mlfb=3TG1001-0BB4>

Characteristic curves

[https://curves.simaris.siemens.com/curves/<mmp_prod_noCOMP="HAUPT"></mmp_prod_no>](https://curves.simaris.siemens.com/curves/<mmp_prod_noCOMP=)



last modified:

4/9/2026

