

Product datasheet

Specifications



motor choke, Altivar, for variable speed drive, 759A, IP00

VW3A5107

Main

Product or component type	Motor choke
Range compatibility	Altivar 71 Altivar Process ATV900 Altivar 61Q Altivar 61 Altivar 71Q Altivar Process ATV600
Product specific application	Output filter
[In] rated current	759 A
Product compatibility	ATV71HC25N4 ATV61HC25N4 ATV61HC31N4 ATV61HC40N4 ATV61HC50Y ATV61HC63Y ATV61QC31N4 ATV61QC40N4 ATV61QC40Y ATV61QC50Y ATV71HC28N4 ATV71HC31N4 ATV71HC40N4 ATV71HC40Y ATV71HC50Y ATV71QC25N4 ATV71QC31N4 ATV71QC31Y ATV71QC40Y ATV630 variable speed drive wall mount - 250 kW, 380...480 V ATV630 variable speed drive wall mount - 315 kW, 380...480 V ATV930 variable speed drive wall mount - 250 kW, 380...480 V ATV930 variable speed drive wall mount - 315 kW, 380...480 V
nedded quantity	3
Electrical connection	Tag connector 2 x M12

Complementary

Maximum motor cable length	200 m shielded cable P motor 250...355 kW at 380...480 V 1 250 m unshielded cable P motor 250...355 kW at 380...480 V 1 150 m shielded cable P motor 400...630 kW at 500...690 V 1 250 m unshielded cable P motor 400...630 kW at 500...690 V 1 250 m shielded cable P motor 400...630 kW at 500...690 V 2 400 m unshielded cable P motor 400...630 kW at 500...690 V 2
dv/dt	500 V/μs max at 400 V 750 V/μs max at 500 V 1000 V/μs max at 690 V
Thermal losses	598 W
maximum drive output frequency	100 Hz
Ambient air temperature for operation	-10...50 °C

Net weight	93 kg
------------	-------

Environment

IP degree of protection	IP20 (with kits VW3A9612,613) IP00
-------------------------	---------------------------------------

Ambient air temperature for storage	-25...70 °C
-------------------------------------	-------------

Packing Units

Unit Type of Package 1	PCE
------------------------	-----

Number of Units in Package 1	1
------------------------------	---

Package 1 Height	75.000 cm
------------------	-----------

Package 1 Width	60.000 cm
-----------------	-----------

Package 1 Length	80.000 cm
------------------	-----------

Package 1 Weight	100.500 kg
------------------	------------

Contractual warranty

Warranty (in months)	18
----------------------	----



Environmental Data

Schneider Electric aims to achieve Net Zero status by 2050 through supply chain partnerships, lower impact materials, and circularity via our ongoing “Use Better, Use Longer, Use Again” campaign to extend product lifetimes and recyclability.

[Environmental Data explained >](#)

[How we assess product sustainability >](#)

Use Better



Materials and Substances

Packaging made with recycled cardboard	No
Packaging without single use plastic	No
EU RoHS Directive	Compliant

Use Longer



Lifetime extension

Repair	No
--------	----

Use Again



Repack and remanufacture

Take-back	Yes
-----------	-----

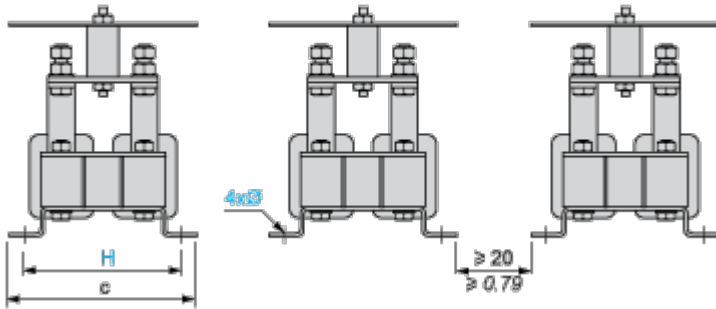
Dimensions Drawings

Dimensions

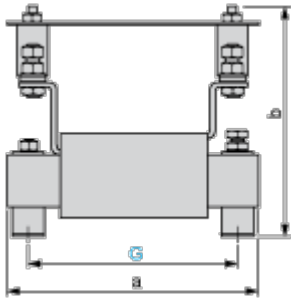
Front View

The choke comprise 3 components

mm
in.



Right View

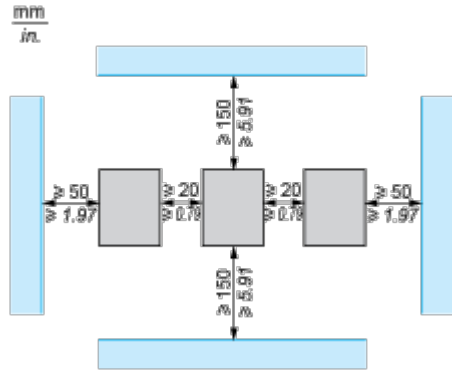


a	b	c	G	H	Ø
320	250	220	275	200	9 x 13
12.60	9.84	8.66	10.83	7.87	0.35 x 0.51

Mounting and Clearance

Mounting Recommendations

Horizontal mounting



Vertical mounting

