



Overload relay, 7...10 A, motor protection Size S0, Class 10 Contactor mounting  
Main circuit: screw terminal Auxiliary circuit: screw

Figure similar

<b>product brand name</b>	SIRIUS
<b>product designation</b>	Thermal overload relay
<b>product type designation</b>	3RU7
<b>General technical data</b>	
<b>size of overload relay</b>	S0
<b>size of contactor can be combined company-specific</b>	S0
<b>power loss [W] total typical</b>	6.6 W
power loss [W] for rated value of the current at AC in hot operating state	6.6 W
• per pole	2.2 W
<b>type of calculation of power loss current-dependent</b>	quadratic
insulation voltage with degree of pollution 3 at AC rated value	690 V
<b>surge voltage resistance rated value</b>	6 kV
<b>protection class IP</b>	
• on the front	IP20
• of the terminal	IP20
<b>shock resistance according to IEC 60068-2-27</b>	8 g / 11 ms
<b>Net Weight</b>	0.16 kg
<b>Ambient conditions</b>	
installation altitude at height above sea level maximum	2 000 m
<b>ambient temperature</b>	
• during operation	-20 ... +55 °C
• during transport	-25 ... +70 °C
relative humidity during operation	0 ... 90 %
<b>Main circuit</b>	
<b>number of poles for main current circuit</b>	3
<b>adjustable current response value current of the current-dependent overload release</b>	7 ... 10 A
<b>type of voltage for main current circuit</b>	AC/DC
operating voltage rated value	690 V
<b>operating frequency rated value</b>	50 ... 60 Hz
<b>operational current rated value</b>	10 A
<b>Auxiliary circuit</b>	
<b>operational current of auxiliary contacts at AC-15</b>	
• at 24 V	3 A
• at 230 V	2 A
operational current of auxiliary contacts at DC-13 at 24 V	1 A
<b>Protective and monitoring functions</b>	

<b>trip class</b>	CLASS 10	
<b>design of the overload release</b>	thermal	
<b>Short-circuit protection</b>		
design of the fuse link for short-circuit protection of the auxiliary switch required	fuse gL/gG: 6 A, quick: 10 A	
<b>Installation/ mounting/ dimensions</b>		
<b>mounting position</b>	with vertical mounting surface +/-135° rotatable, with vertical mounting surface +/- 45° tiltable to the front and back	
<b>fastening method</b>	Contacting mounting	
<b>height</b>	97 mm	
<b>width</b>	45 mm	
<b>depth</b>	96 mm	
required spacing for grounded parts at the side	6 mm	
<b>Connections/ Terminals</b>		
<b>type of electrical connection</b>		
<ul style="list-style-type: none"> <li>for main current circuit</li> <li>for auxiliary and control circuit</li> </ul>	screw-type terminals screw-type terminals	
<b>arrangement of electrical connectors for main current circuit</b>	Top and bottom	
type of connectable conductor cross-sections for main contacts		
<ul style="list-style-type: none"> <li>solid or stranded</li> <li>finely stranded with core end processing</li> </ul>	2x (1 ... 2.5 mm <sup>2</sup> ), 2x (2.5 ... 10 mm <sup>2</sup> ) 2x (1 ... 2.5 mm <sup>2</sup> ), 2x (2.5 ... 6 mm <sup>2</sup> ), 1x 10 mm <sup>2</sup> max.	
type of connectable conductor cross-sections for auxiliary contacts		
<ul style="list-style-type: none"> <li>solid or stranded</li> <li>finely stranded with core end processing</li> </ul>	2x (0.5 ... 1.5 mm <sup>2</sup> ), 2x (0.75 ... 2.5 mm <sup>2</sup> ) 2x (0.5 ... 1.5 mm <sup>2</sup> ), 2x (0.75 ... 2.5 mm <sup>2</sup> )	
<b>tightening torque</b>		
<ul style="list-style-type: none"> <li>for main contacts with screw-type terminals</li> <li>for auxiliary contacts with screw-type terminals</li> </ul>	2 ... 2.5 N·m 0.8 ... 1.2 N·m	
<b>Electrical Safety</b>		
<b>protection class IP on the front according to IEC 60529</b>	IP20	
<b>touch protection on the front according to IEC 60529</b>	finger-safe, for vertical contact from the front	
<b>Approvals Certificates</b>		
<b>Environment</b>	<b>General Product Approval</b>	<b>other</b>

[Environmental Conformations](#)



[Confirmation](#)

other



**Further information**

**Information on the packaging**

<https://support.industry.siemens.com/cs/ww/en/view/109813875>

**Information for data generation and storage**

<https://support.industry.siemens.com/cs/ww/en/view/109995012>

**Information- and Downloadcenter (Catalogs, Brochures,...)**

<https://www.siemens.com/ic10>

**Industry Mall (Online ordering system)**

<https://mall.industry.siemens.com/mall/en/en/Catalog/product?mlfb=3RU7126-1JB0>

**Service&Support (Manuals, Certificates, Characteristics, FAQs,...)**

<https://support.industry.siemens.com/cs/ww/en/ps/3RU7126-1JB0>

**Image database (product images, 2D dimension drawings, 3D models, device circuit diagrams, EPLAN macros, ...)**

[https://www.automation.siemens.com/bilddb/cax\\_de.aspx?mlfb=3RU7126-1JB0&lang=en](https://www.automation.siemens.com/bilddb/cax_de.aspx?mlfb=3RU7126-1JB0&lang=en)

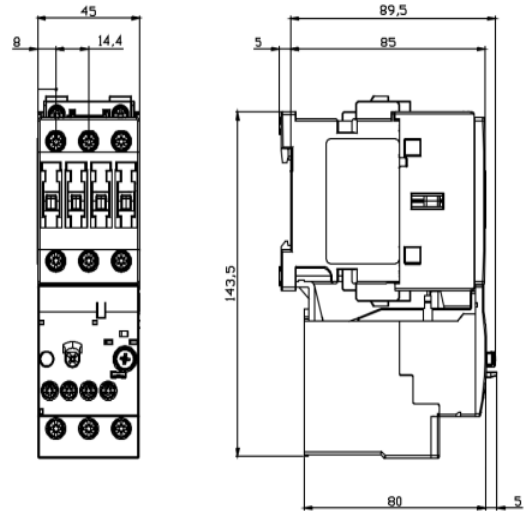
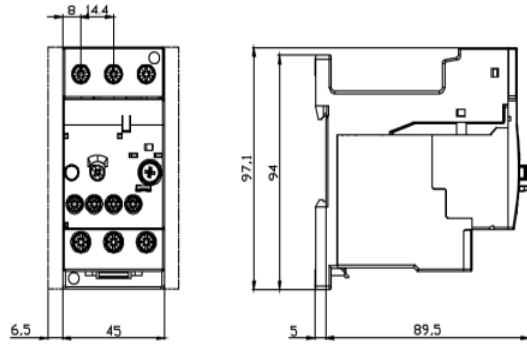
**Cax online generator**

<https://support.automation.siemens.com/WW/CAXorder/default.aspx?lang=en&mlfb=3RU7126-1JB0>

**Characteristic curves**

3RU7126 Mounting with Stand-alone adaptor

3RU7126 Mounting with contactor



last modified:

4/4/2026