



plug-in relay complete unit, 2 changeover contacts, 24 V DC, LED module red, base with logical isolation, spring-loaded terminal (push-in)

product brand name	SIRIUS
product designation	Coupling relay with plug-in relay
product type designation	LZS
<b>General technical data</b>	
display version LED	Yes
consumed active power	0.75 W
percental drop-out voltage related to the input voltage	10 %
operating frequency without load	36 000 1/h
operating frequency with load	360 1/h
switching behavior	monostable
mechanical service life (operating cycles) typical	30 000 000
electrical endurance (operating cycles) at AC-15 at 230 V typical	180 000
thermal current	12 A
reference code according to IEC 81346-2	K
Substance Prohibitance (Date)	05/01/2012
Net Weight	0.097 g
<b>Control circuit/ Control</b>	
control supply voltage at DC rated value	24 V
operating range factor control supply voltage rated value at DC	
• initial value	0.9
• full-scale value	1.4
closing delay	
• at DC maximum	15 ms
opening delay	
• at DC maximum	18 ms
<b>Switching Function</b>	
design of the switching function	changeover switch
<b>Mechanical data</b>	
product component plug-in socket	Yes
design of the snap-on socket base	Socket with logic isolation
design of the relay operating mechanism	poled
<b>Short-circuit protection</b>	
design of the fuse link for short-circuit protection of the auxiliary switch required	fuse gG: 6 A
<b>Auxiliary circuit</b>	
type of switching contact	Changeover contact
material of switching contacts	AgNi 90/10
number of NC contacts for auxiliary contacts	0

number of NO contacts for auxiliary contacts	0
number of CO contacts for auxiliary contacts	2
<b>operational current of auxiliary contacts at AC-15</b>	
• at 250 V	4 A
operational current at DC-13 at 24 V rated value	4 A
<b>operational current of auxiliary contacts at DC-13</b>	
• at 24 V	4 A

#### Main circuit

type of voltage	DC
<b>ampacity of the output relay at DC-13</b>	
• at 24 V	4 A

#### Display

display version as status display by LED	LED red
--	---------

#### Connections/ Terminals

product function removable terminal	No
type of electrical connection	spring-loaded terminals
<b>type of connectable conductor cross-sections</b>	
• solid	1x (0,75 ... 1,5), 2x (0,75 ... 1,0), 2x 1,5
• finely stranded with core end processing	1x (0,75 ... 1,5), 2x 0,75
• finely stranded without core end processing	1x (0,75 ... 1,5), 2x (0,75 ... 1,0), 2x 1,5
• for AWG cables solid	1x (18 ... 16), 2x (18 ... 16)
• for AWG cables stranded	1x (18 ... 16), 2x (18 ... 16)
<b>connectable conductor cross-section</b>	
• solid	0.75 ... 1.5 mm <sup>2</sup>
• finely stranded with core end processing	0.75 ... 1.5 mm <sup>2</sup>
• finely stranded without core end processing	0.75 ... 1.5 mm <sup>2</sup>
<b>AWG number as coded connectable conductor cross section</b>	
• solid	18 ... 16
• stranded	18 ... 16

#### Installation/ mounting/ dimensions

mounting position	any
fastening method	snap-on mounting
height	98 mm
width	28 mm
depth	79 mm

#### Ambient conditions

<b>ambient temperature</b>	
• during operation	-40 ... +70 °C
• during storage	-25 ... +70 °C
• during transport	-25 ... +70 °C

#### Approvals Certificates

Environment	General Product Approval	other
-------------	--------------------------	-------

[Environmental Conformations](#)



[Confirmation](#)

#### other

[Confirmation](#)



#### Further information

Information on the packaging

<https://support.industry.siemens.com/cs/ww/en/view/109813875>

Information for data generation and storage

<https://support.industry.siemens.com/cs/ww/en/view/109995012>

Information- and Downloadcenter (Catalogs, Brochures,...)

<https://www.siemens.com/ic10>

Industry Mall (Online ordering system)

<https://mall.industry.siemens.com/mall/en/en/Catalog/product?mlfb=LZS:PT2D5L24>

Cax online generator

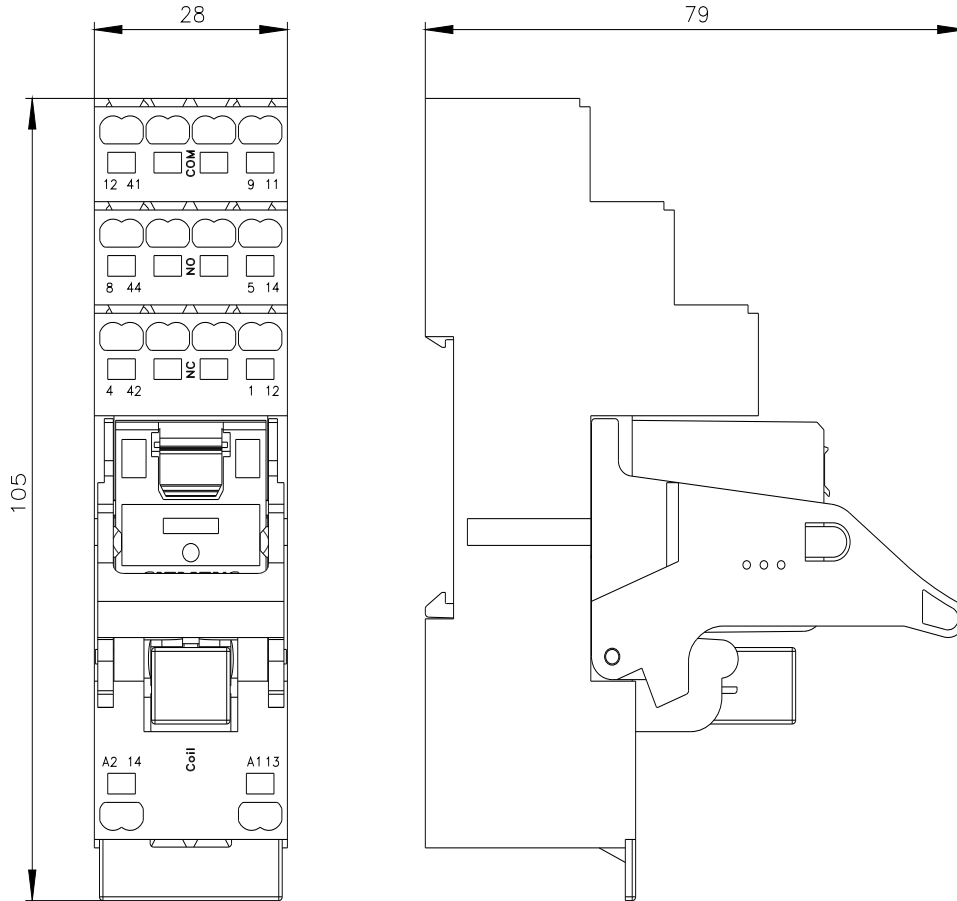
<https://support.automation.siemens.com/WW/CAXorder/default.aspx?lang=en&mlfb=LZS:PT2D5L24>

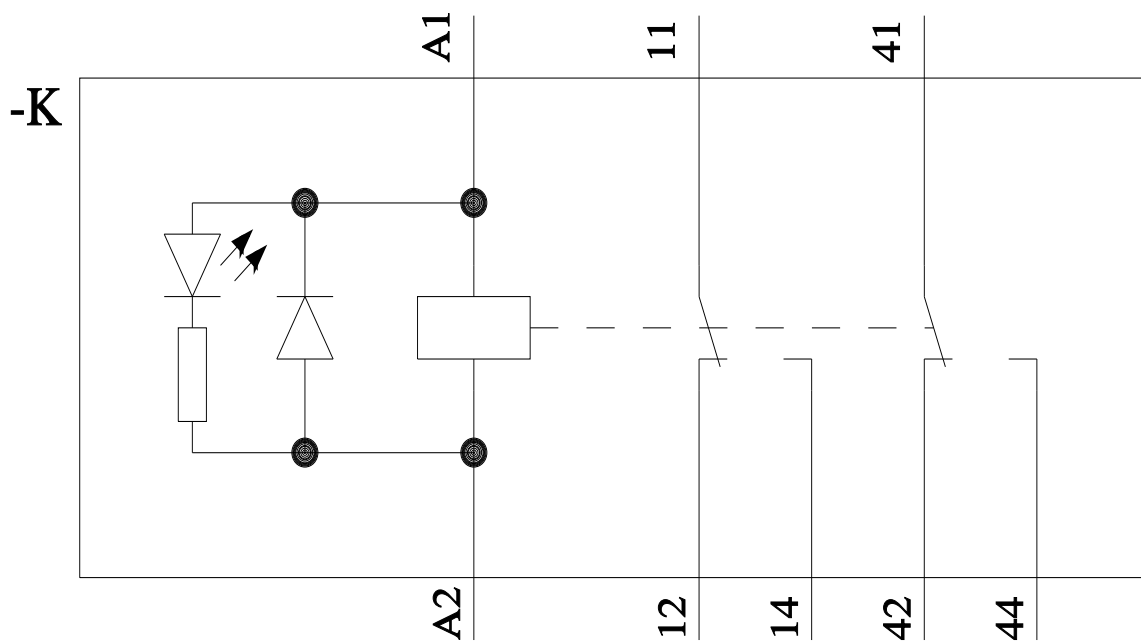
Service&Support (Manuals, Certificates, Characteristics, FAQs,...)

<https://support.industry.siemens.com/cs/ww/en/ps/LZS:PT2D5L24>

Image database (product images, 2D dimension drawings, 3D models, device circuit diagrams, EPLAN macros, ...)

[https://www.automation.siemens.com/bilddb/cax\\_de.aspx?mlfb=LZS:PT2D5L24&lang=en](https://www.automation.siemens.com/bilddb/cax_de.aspx?mlfb=LZS:PT2D5L24&lang=en)





last modified:

4/2/2025 