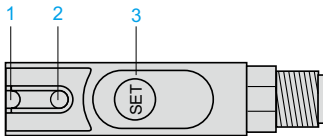


Photo-electric sensors

OsiSense XU Application, packaging series
Compact design, 50 x 50
Colour mark readers
DC supply. Solid-state output

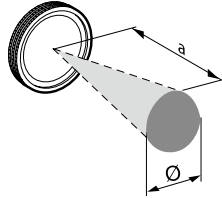
Presentation

Description



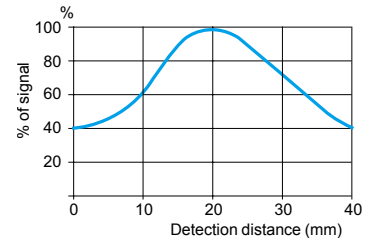
- 1 Output LED
- 2 Dual colour stability LED
- 3 SET button

Detection zone and spot size



	a (mm)	Ø (mm)
XUKR1•SMM12	19	3.5

Detection curve

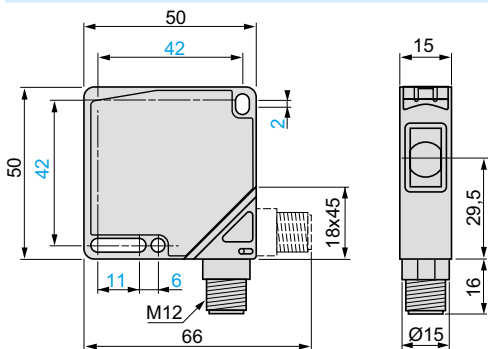


Fixing accessories

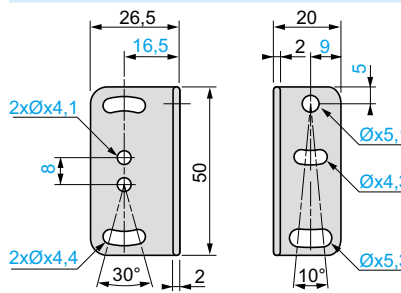
Description	Reference	Weight kg
Metal fixing bracket (2 screws, 2 nuts and 2 washers included)	XUZK2000	0.040
Metal fixing bracket (2 screws, 2 nuts, 2 washers and 1 screwdriver included)	XUZA51	0.050

Dimensions

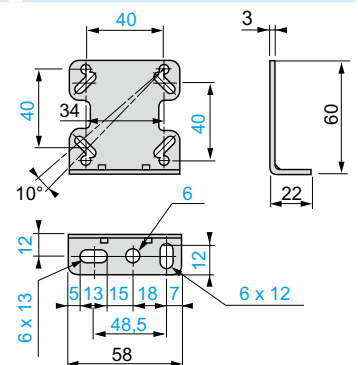
XUKR1•SMM12



Fixing bracket XUZK2000



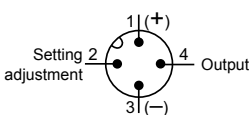
Fixing bracket XUZA51



Schemes

Connector scheme

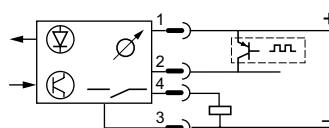
Sensor connector pin view



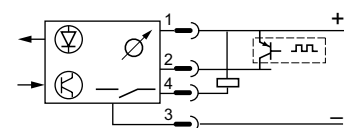
Wiring schemes

Automatic NC or NO selection depending on chronological order of teaching for the mark and the background.

PNP output



NPN output



Pin N°	Type	Colour
1	10...30 V	Brown
2	Adjustment input (1)	White
3	0 V	Blue
4	Output	Black

(1) Connecting the "Remote" adjustment input to + VDC is equivalent to pressing the SET button.