

# Product data sheet

Specifications



## SH3 OMC motor 70mm 2 st. IP65/65 smooth sh. DSL single turn str. conn.M23

SH30702P0AA3100

⚠ Discontinued on: Oct 9, 2023

⚠ Discontinued

**Product availability: Non-Stock - Not normally stocked in distribution facility**

### Main

|                           |             |
|---------------------------|-------------|
| Range Compatibility       | PacDrive 3  |
| Device short name         | SH3         |
| Product or Component Type | Servo motor |

### Complementary

|                           |  |
|---------------------------|--|
| Maximum mechanical speed  | 8000 rpm   |
| [Us] rated supply voltage | 115...480 V  |
| Phase                     | Three phase  |
| Continuous stall current  | 2.9 A  |
| Continuous stall torque   | 18.06 lbf.in (2.04 N.m) 115...480 V three phase  |
| Continuous power          | 1130 W   |
| Peak stall torque         | 67.3 lbf.in (7.6 N.m) 115...480 V three phase  |
| Nominal output power      | 610 W 230 V single phase<br>1130 W 400 V three phase<br>1130 W 480 V three phase   |
| Nominal torque            | 18.6 lbf.in (2.1 N.m) 230 V single phase<br>15.9 lbf.in (1.8 N.m) 400 V three phase<br>15.9 lbf.in (1.8 N.m) 480 V three phase |
| Nominal speed             | 3000 rpm 230 V single phase<br>6000 rpm 400 V three phase<br>7200 rpm 480 V three phase  |
| Maximum current Irms      | 11.8 A   |
| Shaft end                 | Smooth shaft   |
| Shaft diameter            | 0.4 in (11 mm)   |
| Shaft length              | 0.9 in (23 mm)   |
| IP degree of protection   | IP65 motor: conforming to IEC 60034-5<br>IP65 shaft bushing: conforming to IEC 60034-5   |
| Encoder type              | Absolute single turn Hiperface DSL   |
| Speed feedback resolution | 262144 points/turn   |
| Holding brake             | Without  |
| Mounting Support          | International standard flange  |
| Motor flange size         | 2.8 in (70 mm)   |
| Electrical Connection     | Rotatable right angled connector   |

Price is "List Price" and may be subject to a trade discount – check with your local distributor or retailer for actual price.

|                                       |                              |
|---------------------------------------|------------------------------|
| Torque constant                       | 0.7 N.m/A 248 °F (120 °C)    |
| Back emf constant                     | 48 V/krpm 68 °F (20 °C)      |
| Number of motor poles                 | 3                            |
| Rotor inertia                         | 0.410 kg.cm <sup>2</sup>     |
| Stator resistance                     | 4.2 Ohm                      |
| Stator inductance                     | 21.3 mH                      |
| Maximum radial force Fr               | 990 N 1000 rpm               |
| Maximum axial force Fa                | 160 N                        |
| Type of cooling                       | Natural convection           |
| Length                                | 7.4 in (187 mm)              |
| Centring collar diameter              | 2.4 in (60 mm)               |
| Centring collar depth                 | 0.10 in (2.5 mm)             |
| Number of mounting holes              | 4                            |
| Mounting holes diameter               | 0.2 in (5.5 mm)              |
| Circle diameter of the mounting holes | 3.2 in (82 mm)               |
| Net Weight                            | 6.2 lb(US) (2.8 kg)          |
| Sizing reference                      | SH30702P                     |
| Network number of phases              | 3                            |
| Temperature copper hot                | 266 °F (130 °C)              |
| Electrical connection                 | quicklock straight connector |

## Ordering and shipping details

|                   |               |
|-------------------|---------------|
| Category          | US1PC5218359  |
| Discount Schedule | PC52          |
| GTIN              | 3606481803047 |
| Returnability     | No            |

## Packing Units

|                        |                     |
|------------------------|---------------------|
| Unit Type of Package 1 | PCE                 |
| Nbr. of units in pkg.  | 1                   |
| Package 1 Height       | 4.5 in (11.5 cm)    |
| Package 1 Width        | 7.5 in (19.0 cm)    |
| Package 1 Length       | 15.6 in (39.5 cm)   |
| Package weight(Lbs)    | 7.3 lb(US) (3.3 kg) |

## Contractual warranty

|                      |    |
|----------------------|----|
| Warranty (in months) | 18 |
|----------------------|----|



## Environmental Data

Schneider Electric aims to achieve Net Zero status by 2050 through supply chain partnerships, lower impact materials, and circularity via our ongoing “Use Better, Use Longer, Use Again” campaign to extend product lifetimes and recyclability.

[Environmental Data explained >](#)

[How we assess product sustainability >](#)

### Use Better



#### Materials and Substances

[EU RoHS Directive](#)

Pro-active compliance (Product out of EU RoHS legal scope)

California proposition 65

WARNING: This product can expose you to chemicals including: Lead and lead compounds, which is known to the State of California to cause cancer and birth defects or other reproductive harm. For more information go to [www.P65Warnings.ca.gov](http://www.P65Warnings.ca.gov)

PVC free

Yes

### Use Longer



#### Lifetime extension

Repair

No

### Use Again



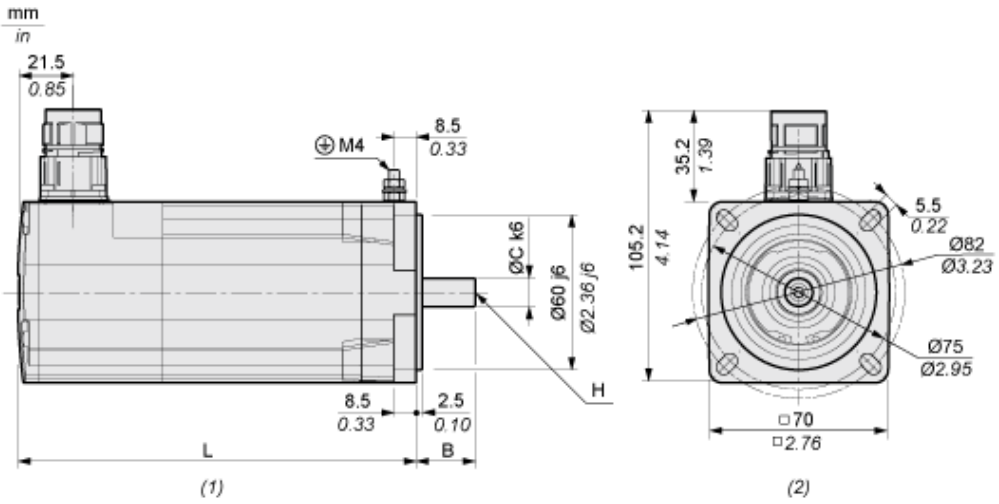
#### Repack and remanufacture

Circularity Profile

No need of specific recycling operations

Dimensions Drawings

Dimensions



- (1) : Side view
- (2) : Mounting

| Characteristic | Unit                         | Value              |
|----------------|------------------------------|--------------------|
| L              | Length without holding brake | mm (in) 187 (7.36) |
| B              | Shaft length                 | mm (in) 23 (0.91)  |
| C              | Shaft diameter               | mm (in) 11 (0.43)  |
| H              | Female thread of shaft       | DIN 332-D M4       |