




POSITION SWITCH, METAL-ENCLOSED SLOW-ACTION CONTACTS  
1NO+1NC, ROD ACTUATOR, FINE ADJUSTMENT, MOULDED-PASTIC ROD, 1  
X M20 X 1,5

product designation	position switch		
suitability for use safety switch	No		
<b>General technical data</b>			
protection class IP	IP67		
reference code according to IEC 81346-2	B		
active principle	mechanical		
Substance Prohibitance (day/month/year)	07/01/2006		
Net Weight	0.315 kg		
length of the sensor	281 mm		
width of the sensor	40 mm		
<b>Ambient conditions</b>			
ambient temperature	-30 ... +85 °C		
• during operation			
explosion protection category for dust	none		
design of the switching contact	mechanical		
number of NC contacts for auxiliary contacts	1		
number of NO contacts for auxiliary contacts	1		
<b>Enclosure</b>			
design of the housing	design complying with EN 50041		
material of the enclosure	metal		
coating of the enclosure	painted		
design of the housing according to standard	Yes		
<b>Drive Head</b>			
design of the actuating element	rod actuator		
standard-compliant actuator head	EN 50041, design D		
design of the switching function	CO contact		
circuit principle	slow-action contacts		
number of switching contacts safety-related	1		
<b>Installation/ mounting/ dimensions</b>			
fastening method	screw fixing		
<b>Connections/ Terminals</b>			
type of electrical connection	screw terminal		
design of the interface for safety-related communication	without		
<b>Communication/ Protocol</b>			
design of the interface	without		
<b>Approvals Certificates</b>			
General Product Approval	Test Certificates	Maritime application	other
		<a href="#">Miscellaneous</a>	 <a href="#">Confirmation</a> <a href="#">Confirmation</a>
other	Environment		



Further information

Information on the packaging

<https://support.industry.siemens.com/cs/ww/en/view/109813875>

Information for data generation and storage

<https://support.industry.siemens.com/cs/ww/en/view/109995012>

Information- and Downloadcenter (Catalogs, Brochures,...)

<https://www.siemens.com/ic10>

Industry Mall (Online ordering system)

<https://mall.industry.siemens.com/mall/en/en/Catalog/product?mlfb=3SE2120-0WW>

Cax online generator

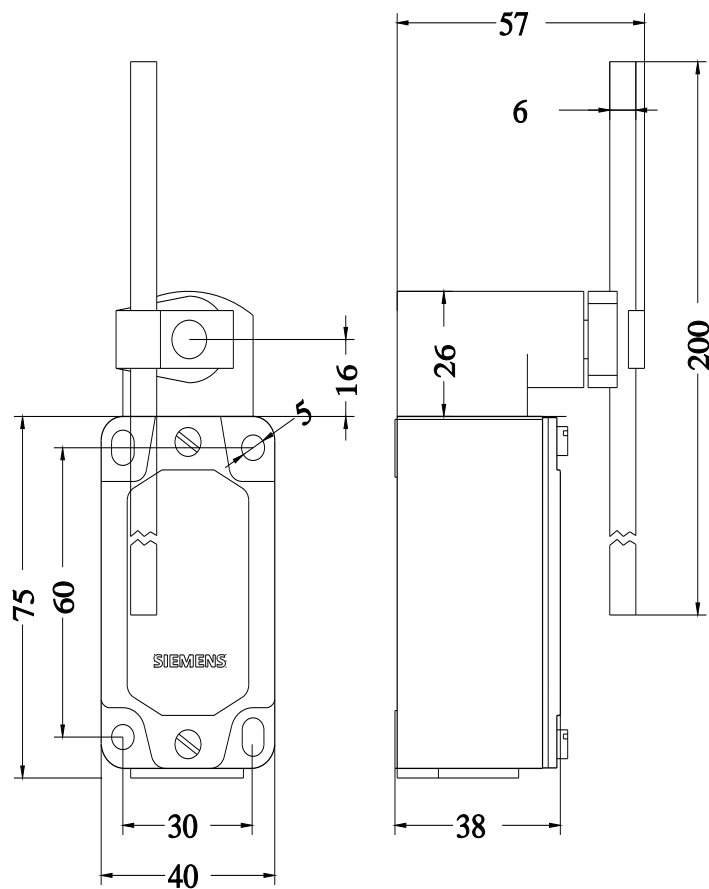
<https://support.automation.siemens.com/WW/CAXorder/default.aspx?lang=en&mlfb=3SE2120-0WW>

Service&Support (Manuals, Certificates, Characteristics, FAQs,...)

<https://support.industry.siemens.com/cs/ww/en/ps/3SE2120-0WW>

Image database (product images, 2D dimension drawings, 3D models, device circuit diagrams, EPLAN macros, ...)

[https://www.automation.siemens.com/bilddb/cax\\_de.aspx?mlfb=3SE2120-0WW&lang=en](https://www.automation.siemens.com/bilddb/cax_de.aspx?mlfb=3SE2120-0WW&lang=en)



last modified:

8/8/2025