

side mounted motor operator 24-60 V DC accessory for: 3VA11

| Model | |
|--|---------------------------------------|
| product brand name | SETRON |
| product designation | Side mounted motor operator |
| accessories | Lateral motorized operating mechanism |
| General technical data | |
| make time / typical | 0.3 s |
| break time / typical | 0.3 s |
| Voltage | |
| type of voltage / of the operating voltage / for actuation | AC/DC |
| Rated control supply voltage U_s at AC 50 Hz | |
| • minimum | 42 V |
| • maximum | 60 V |
| • Rated control supply voltage U_s at AC 60 Hz / minimum | 42 V |
| • Rated control supply voltage U_s at AC 60 Hz / maximum | 60 V |
| Rated control supply voltage U_s with DC | |
| • minimum | 24 V |
| • maximal | 60 V |
| operating apparent power | 250 VA |
| Mechanical Design | |
| height | 149 mm |
| width | 78 mm |
| depth | 93.8 mm |
| Net Weight | 905 g |
| connectable conductor cross-section / solid | |
| • minimum | 1.5 mm ² |
| • maximum | 2.5 mm ² |
| connectable conductor cross-section / finely stranded / with core end processing | |
| • minimum | 1.5 mm ² |
| • maximum | 2.5 mm ² |
| connectable conductor cross-section / stranded | |
| • minimum | 1.5 mm ² |
| • maximum | 2.5 mm ² |
| tightening torque | |
| • minimum | 0.36 N·m |
| • maximum | 0.44 N·m |
| Connections according IEC | |
| stripped length | 7 mm |

Connections according UL

| | |
|---|--------|
| ambient temperature / during operation | |
| • minimum | -25 °C |
| • maximum | 70 °C |
| ambient temperature / during storage | |
| • minimum | -40 °C |
| • maximum | 80 °C |

Certificates

| | |
|--------------------------|-----|
| General Product Approval | EMV |
|--------------------------|-----|

[Miscellaneous](#)



[Confirmation](#)



| | | | | |
|-------------------|----------------------|-------|-----------------|-------------|
| Test Certificates | Maritime application | other | Dangerous goods | Environment |
|-------------------|----------------------|-------|-----------------|-------------|

[Type Test Certificates/Test Report](#)



[Miscellaneous](#)

[Confirmation](#)

[Transport Information](#)

[Environmental Confirmations](#)

Environment

[Environmental Confirmations](#)



Further information

Information on the packaging

<https://support.industry.siemens.com/cs/ww/en/view/109813875>

Information for data generation and storage

<https://support.industry.siemens.com/cs/ww/en/view/109995012>

Information- and Downloadcenter (Catalogs, Brochures,...)

<https://www.siemens.com/lowvoltage/catalogs>

Industry Mall (Online ordering system)

<https://mall.industry.siemens.com/mall/en/en/Catalog/product?mlfb=3VA9117-0HB10>

Service&Support (Manuals, Certificates, Characteristics, FAQs,...)

<https://support.industry.siemens.com/cs/ww/en/ps/3VA9117-0HB10>

Image database (product images, 2D dimension drawings, 3D models, device circuit diagrams, ...)

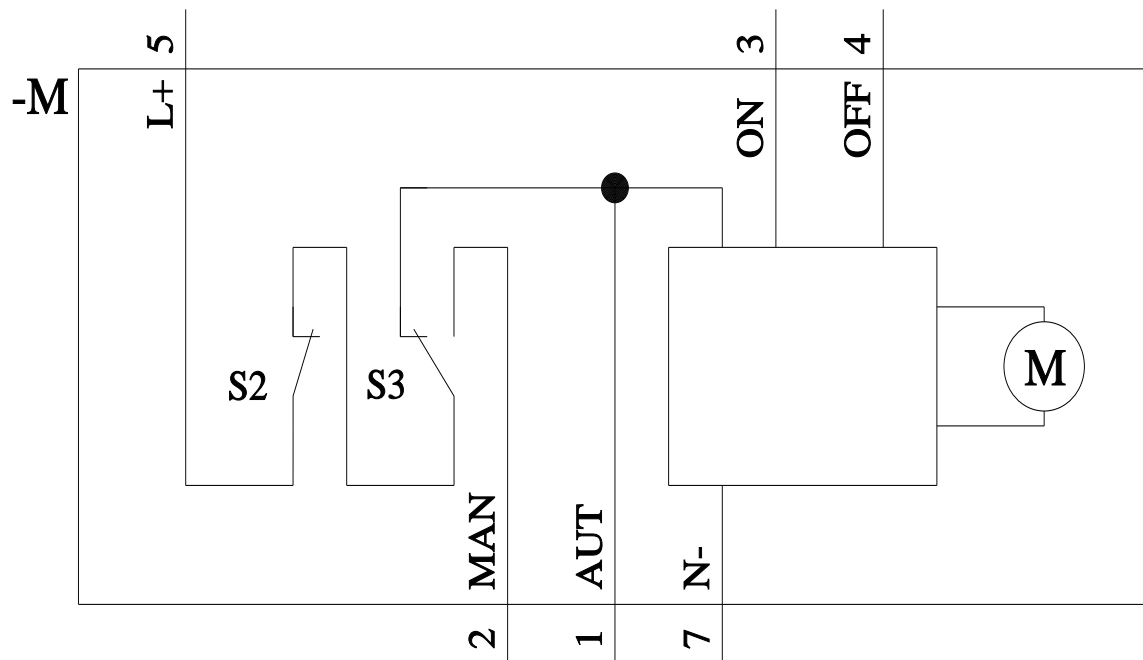
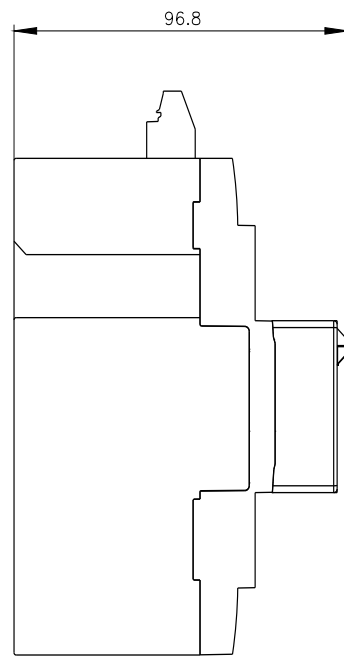
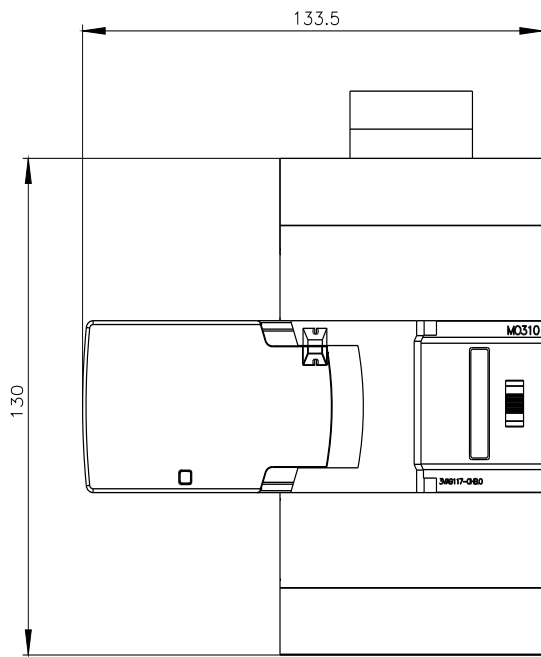
https://www.automation.siemens.com/bilddb/cax_en.aspx?mlfb=3VA9117-0HB10

CAX-Online-Generator

<https://www.siemens.com/cax>

Tender specifications

<https://www.siemens.com/specifications>



last modified:

4/3/2025

