



Main

Range of product	OsiSense XU
Series name	General purpose single mode
Electronic sensor type	Photo-electric sensor
Sensor name	XUM
Sensor design	Miniature
Detection system	Polarised reflex
Material	Plastic
Type of output signal	Discrete
Supply circuit type	DC
Wiring technique	3-wire
Discrete output type	NPN
Discrete output function	1 NO or 1 NC programmable
Electrical connection	1 male connector M8, 4 pins
Product specific application	-
Emission	Red polarised reflex
[Sn] nominal sensing distance	5 m polarised reflex need reflector XUZC50

Complementary

Enclosure material	PBT
Lens material	PMMA
Output type	Solid state
Wire insulation material	PVC
Status LED	1 LED (red) for instability 1 LED (yellow) for output state
[Us] rated supply voltage	12...24 V DC
Switching capacity in mA	<= 100 mA (overload and short-circuit protection)
Switching frequency	<= 500 Hz
Voltage drop	<= 1.5 V (closed state)
Current consumption	35 mA (no-load)
Delay first up	30 ms
Delay response	1 ms

Delay recovery	1 ms
Setting-up	Without sensitivity adjustment
Depth	27 mm
Height	38 mm
Width	12 mm
Product weight	0.01 kg

Environment

Product certifications	CE CSA UL
Ambient air temperature for operation	-25...55 °C
Ambient air temperature for storage	-30...70 °C
Vibration resistance	7 gn, amplitude = +/- 1.5 mm (f = 10...55 Hz) conforming to IEC 60068-2-6
Shock resistance	30 gn (duration = 11 ms) conforming to IEC 60068-2-27
IP degree of protection	IP65 double insulation conforming to IEC 60529 IP67 double insulation conforming to IEC 60529

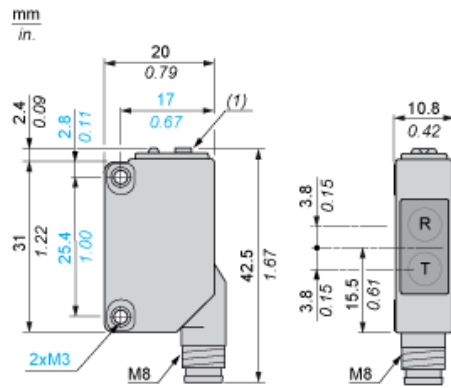
Offer Sustainability

RoHS (date code: YYWW)	Compliant - since 1152 - Schneider Electric declaration of conformity Schneider Electric declaration of conformity
------------------------	---

Contractual warranty

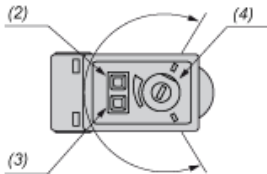
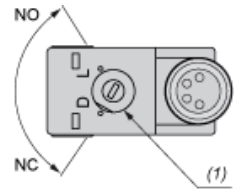
Warranty period	18 months
-----------------	-----------

Dimensions



- R : Reception
- T : Transmission
- (1) Potentiometer

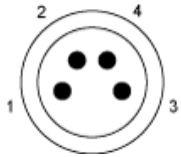
Mounting and Clearance



- (1) Configuration switch
- (2) Output state LED
- (3) Stability and power on LED
- (4) Adjustment potentiometer

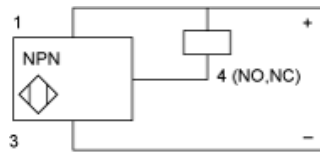
Connections and Schemes

M8 Connector

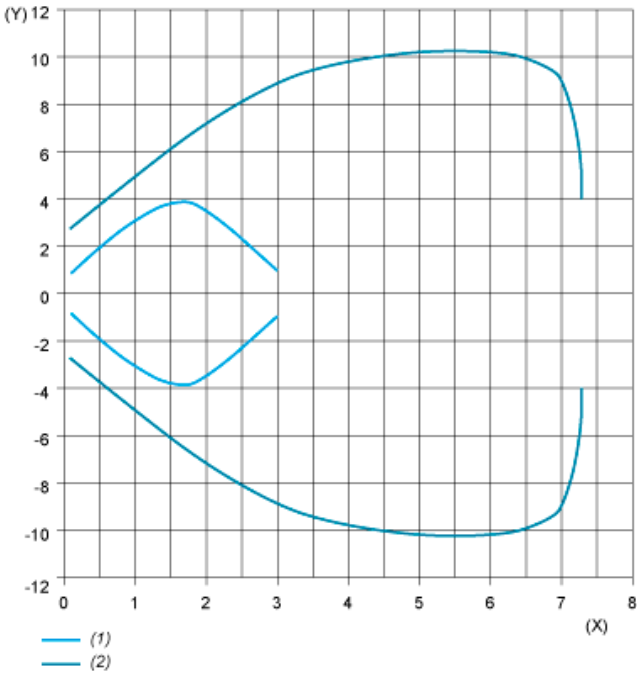


- 1 : (+)
- 3 : (-)
- 4 : OUT/Output

NPN



Detection Curves



- (1) XUZC08
- (2) XUZC50
- (Y) Parallel movement (cm)
- (X) Distance (m)