



Summation current transformer type B, 35 mm, 30 mA 1A



Model	
product brand name	SENTRON
product designation	summation current transformer
design of the product	Type B
residual current (I _{dn}) minimum	10 mA
internal diameter of summation current transformer	35 mm
symmetrical tolerance of supply voltage at DC	12 V
wire length maximum	10 m
protection class IP at connection all terminals	IP20
apparent power consumption maximum	2.5 VA
type of voltage of the operating voltage for actuation	AC/DC
surge voltage resistance rated value	8 kV
operating voltage rated value	
• maximum	690 V
Main circuit	
operating frequency rated value	
• minimum	0 Hz
• maximum	2 000 Hz
operational current rated value	80 A
Control current	
control supply voltage	
• at AC at 50 Hz rated value maximum	690 V
• at AC at 60 Hz rated value maximum	690 V
Suitability	
suitability for use	for AC and DC systems
Product function	
product function error memory	No
Connections	
type of connectable conductor cross-sections	6 x 0.75 mm ²
type of electrical connection	Plug-in terminal
Mechanical Design	
height	55 mm
width	99.5 mm
depth	79.2 mm
Net Weight	396 g
Environmental conditions	

influence of the surrounding temperature	Max. 95% humidity
ambient temperature during operation	
• minimum	-10 °C
• maximum	55 °C
ambient temperature during storage	
• minimum	-10 °C
• maximum	55 °C

Certificates

reference code according to IEC 81346-2	T
---	---

Approvals Certificates

Environment	General Product Approval
-------------	--------------------------

[Environmental Con-
firmations](#)

[Environmental Con-
firmations](#)



[Confirmation](#)



General Product Ap- proval	other
-------------------------------	-------



[Confirmation](#)



Further information

Information on the packaging

<https://support.industry.siemens.com/cs/ww/en/view/109813875>

Information for data generation and storage

<https://support.industry.siemens.com/cs/ww/en/view/109995012>

Information- and Downloadcenter (Catalogs, Brochures,...)

<https://www.siemens.com/lowvoltage/catalogs>

Industry Mall (Online ordering system)

<https://mall.industry.siemens.com/mall/en/en/Catalog/product?mlfb=5SV8701-2KK>

Service&Support (Manuals, Certificates, Characteristics, FAQs,...)

<https://support.industry.siemens.com/cs/ww/en/ps/5SV8701-2KK>

Image database (product images, 2D dimension drawings, 3D models, device circuit diagrams, ...)

https://www.automation.siemens.com/bilddb/cax_en.aspx?mlfb=5SV8701-2KK

CAX-Online-Generator

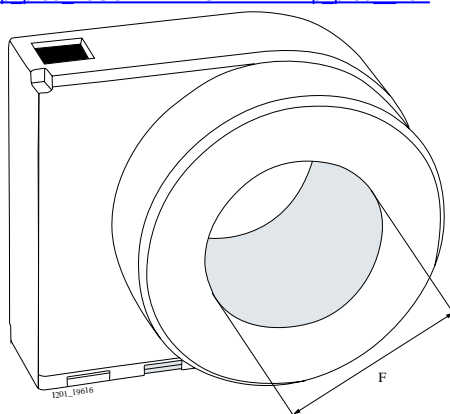
<https://www.siemens.com/cax>

Tender specifications

<https://www.siemens.com/specifications>

Characteristic curves

https://curves.simaris.siemens.com/curves/<mmp_prod_noCOMP='HAUPT'></mmp_prod_no>



Type	Dimensions F
5SV8 701-2KK	35
5SV8 701-2KP	35
5SV8 702-2KK	60
5SV8 702-2KP	60
5SV8 703-2KK	120
5SV8 704-2KK	210

last modified:

4/11/2025 

