



Contactor relay, 4 NO, AC 380 V, 50/60 Hz, size S00, screw terminal

| | |
|---|------------------------------|
| product brand name | SIRIUS |
| product designation | Contactor relay |
| product type designation | 3RH6 |
| General technical data | |
| size of contactor | S00 |
| product extension auxiliary switch | Yes |
| power loss [W] for rated value of the current without load current share typical | 1.05 W |
| insulation voltage with degree of pollution 3 at AC rated value | 690 V |
| surge voltage resistance rated value | 6 kV |
| shock resistance at rectangular impulse | |
| • at AC | 7,3 g / 5 ms, 4,7 g / 10 ms |
| shock resistance with sine pulse | |
| • at AC | 11,4 g / 5 ms, 7,3 g / 10 ms |
| mechanical service life (operating cycles) | |
| • of contactor typical | 30 000 000 |
| • of the contactor with added auxiliary switch block typical | 10 000 000 |
| Substance Prohibitance (day/month/year) | 05/01/2012 |
| Net Weight | 0.22 kg |
| Ambient conditions | |
| installation altitude at height above sea level maximum | 2 000 m |
| ambient temperature | |
| • during operation | -25 ... +60 °C |
| • during storage | -55 ... +80 °C |
| Main circuit | |
| no-load switching frequency | |
| • at AC | 10 000 1/h |
| • at DC | 10 000 1/h |
| Control circuit/ Control | |
| type of voltage of the control supply voltage | AC |
| control supply voltage at AC | |
| • at 50 Hz rated value | 380 V |
| • at 60 Hz rated value | 380 V |
| operating range factor control supply voltage rated value of magnet coil at AC | |
| • at 50 Hz | 0.8 ... 1.1 |
| • at 60 Hz | 0.85 ... 1.1 |
| apparent pick-up power of magnet coil at AC | 37 VA |
| inductive power factor with closing power of the coil | 0.8 |

| | |
|---|--|
| apparent holding power of magnet coil at AC | 5.7 VA |
| inductive power factor with the holding power of the coil | 0.25 |
| Auxiliary circuit | |
| number of NO contacts for auxiliary contacts | 4 |
| identification number and letter for switching elements | 40 E |
| operational current at AC-12 maximum | 6 A |
| operational current at AC-15 | |
| • at 230 V rated value | 10 A |
| • at 400 V rated value | 3 A |
| • at 690 V rated value | 1 A |
| operational current at 1 current path at DC-12 | |
| • at 24 V rated value | 6 A |
| • at 110 V rated value | 3 A |
| • at 220 V rated value | 1 A |
| operational current with 2 current paths in series at DC-12 | |
| • at 24 V rated value | 6 A |
| • at 110 V rated value | 4 A |
| • at 220 V rated value | 2 A |
| operational current with 3 current paths in series at DC-12 | |
| • at 24 V rated value | 6 A |
| • at 110 V rated value | 6 A |
| • at 220 V rated value | 3.6 A |
| operating frequency at DC-12 maximum | 1 000 1/h |
| operational current at 1 current path at DC-13 | |
| • at 24 V rated value | 6 A |
| • at 110 V rated value | 1 A |
| • at 220 V rated value | 0.3 A |
| operational current with 2 current paths in series at DC-13 | |
| • at 24 V rated value | 6 A |
| • at 110 V rated value | 1.3 A |
| • at 220 V rated value | 0.9 A |
| operational current with 3 current paths in series at DC-13 | |
| • at 24 V rated value | 6 A |
| • at 110 V rated value | 3 A |
| • at 220 V rated value | 1.2 A |
| operating frequency at DC-13 maximum | 1 000 1/h |
| contact reliability of auxiliary contacts | 1 faulty switching per 100 million (17 V, 1 mA) |
| Short-circuit protection | |
| design of the miniature circuit breaker for short-circuit protection of the auxiliary circuit up to 230 V | C characteristic: 6 A; 0.4 kA |
| design of the fuse link for short-circuit protection of the auxiliary switch required | fuse gL/gG: 10 A |
| Installation/ mounting/ dimensions | |
| mounting position | +/-180° rotation possible on vertical mounting surface; can be tilted forward and backward by +/- 22.5° on vertical mounting surface |
| fastening method | screw and snap-on mounting onto 35 mm DIN rail |
| height | 57.5 mm |
| width | 45 mm |
| depth | 73 mm |
| Connections/ Terminals | |
| type of electrical connection for auxiliary and control circuit | screw-type terminals |
| type of connectable conductor cross-sections | |
| • for auxiliary contacts | |
| — solid or stranded | 2x (0.5 ... 1.5 mm ²), 2x (0.75 ... 2.5 mm ²), 2x 4 mm ² |
| — finely stranded with core end processing | 2x (0.5 ... 1.5 mm ²), 2x (0.75 ... 2.5 mm ²) |
| • for AWG cables for auxiliary contacts | 2x (20 ... 16), 2x (18 ... 14), 2x 12 |
| Safety related data | |
| product function positively driven operation according to IEC 60947-5-1 | Yes |
| Electrical Safety | |

| | |
|---|--|
| protection class IP on the front according to IEC 60529 | IP20 |
| touch protection on the front according to IEC 60529 | finger-safe, for vertical contact from the front |
| Approvals Certificates | |
| General Product Approval | |



[Confirmation](#)



| | | |
|----------------------|-------|-------------|
| Maritime application | other | Environment |
|----------------------|-------|-------------|

[CCS \(China Classification Society\)](#)

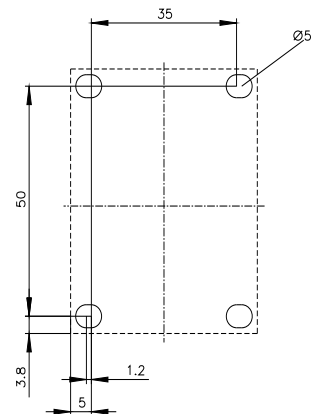
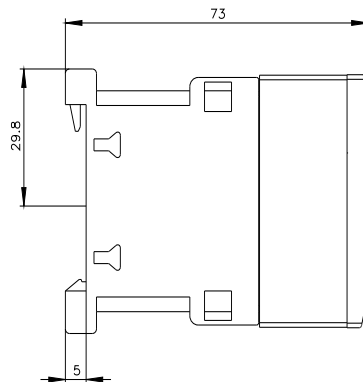
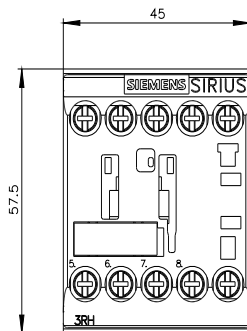
[Confirmation](#)

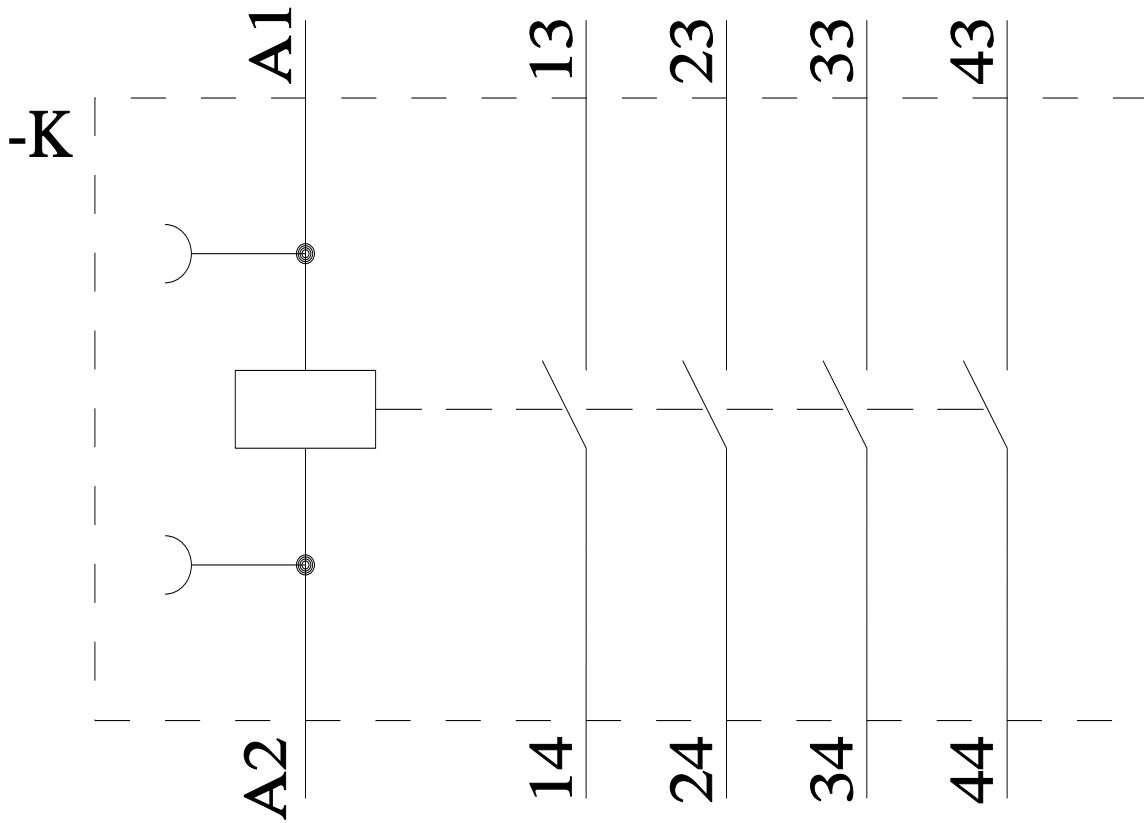
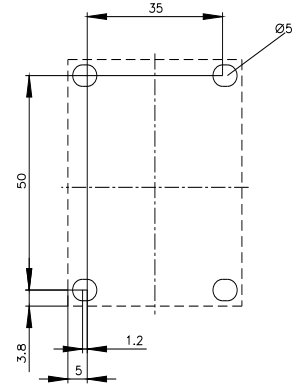
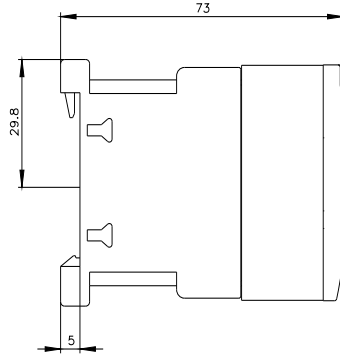
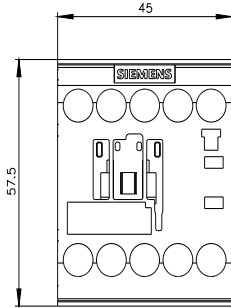


[Environmental Confirmations](#)

Further information

Service&Support (Manuals, Certificates, Characteristics, FAQs,...)
<https://support.industry.siemens.com/cs/products?pnid=16027&lc=en-CN>





last modified:

4/4/2026