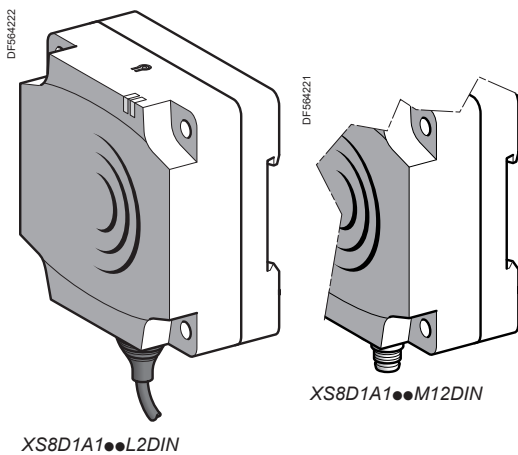
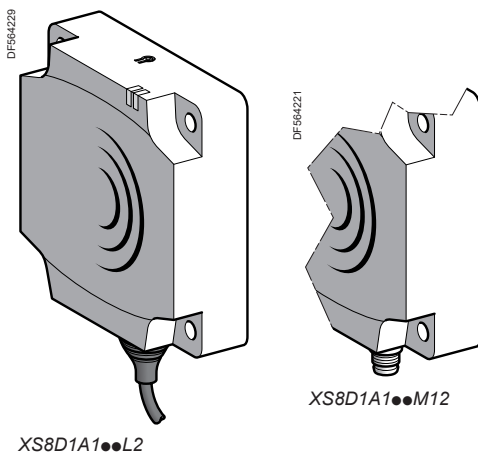
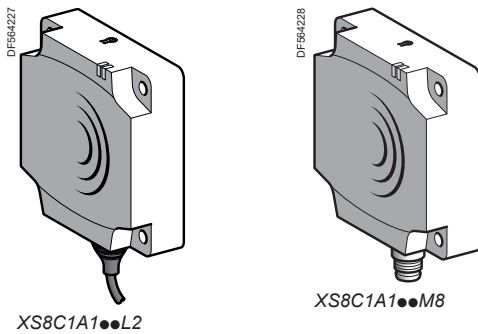
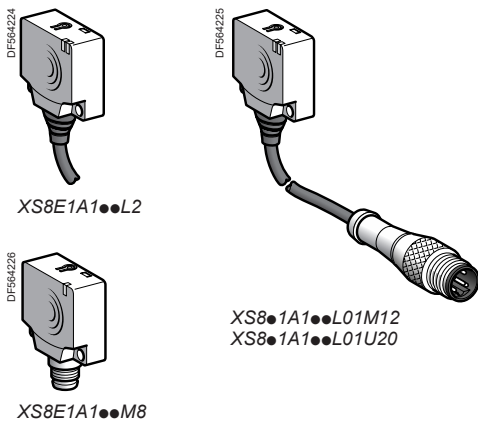


# Inductive proximity sensors

XS range, general purpose with increased range  
Flat, flush mountable using teach mode (1)  
Two-wire AC or DC  
Three-wire DC, solid-state output



### Flat, 26 x 26 x 13 mm format (2)

Sensing distance (Sn) mm	Function	Output	Connection	Reference	Weight kg
<b>Three-wire --- with overload and short-circuit protection</b>					
15	NO	PNP	Pre-cabled (L = 2 m) (3)	<b>XS8E1A1PAL2</b>	0.075
			M8 connector	<b>XS8E1A1PAM8</b>	0.040
			Remote M12 connector	<b>XS8E1A1PAL01M12</b>	0.040
	NPN	Pre-cabled (L = 2 m) (3)	<b>XS8E1A1NAL2</b>	0.075	
		M8 connector	<b>XS8E1A1NAM8</b>	0.040	
		Remote M12 connector	<b>XS8E1A1NAL01M12</b>	0.040	
NC	PNP	Pre-cabled (L = 2 m) (3)	<b>XS8E1A1PBL2</b>	0.075	
		M8 connector	<b>XS8E1A1PBM8</b>	0.040	
		Remote M12 connector	<b>XS8E1A1PBL01M12</b>	0.040	
	NPN	Pre-cabled (L = 2 m) (3)	<b>XS8E1A1NBL2</b>	0.075	
		M8 connector	<b>XS8E1A1NBM8</b>	0.040	
		Remote M12 connector	<b>XS8E1A1NBL01M12</b>	0.040	

### Two-wire ~ or --- unprotected (4)

15	NO	-	Pre-cabled (L = 2 m) (3)	<b>XS8E1A1MAL2</b>	0.070
			Remote 1/2"-20UNF connector	<b>XS8E1A1MAL01U20</b>	0.040
	NC	-	Pre-cabled (L = 2 m) (3)	<b>XS8E1A1MBL2</b>	0.070
			Remote 1/2"-20UNF connector	<b>XS8E1A1MBL01U20</b>	0.040

### Flat, 40 x 40 x 15 mm format (2)

Sensing distance (Sn) mm	Function	Output	Connection	Reference	Weight kg
<b>Three-wire --- with overload and short-circuit protection</b>					
25	NO	PNP	Pre-cabled (L = 2 m) (3)	<b>XS8C1A1PAL2</b>	0.095
			M8 connector	<b>XS8C1A1PAM8</b>	0.060
			Remote M12 connector	<b>XS8C1A1PAL01M12</b>	0.060
		NPN	Pre-cabled (L = 2 m) (3)	<b>XS8C1A1NAL2</b>	0.095
			M8 connector	<b>XS8C1A1NAM8</b>	0.060
			Remote M12 connector	<b>XS8C1A1NAL01M12</b>	0.060
	NC	PNP	Pre-cabled (L = 2 m) (3)	<b>XS8C1A1PBL2</b>	0.095
			M8 connector	<b>XS8C1A1PBM8</b>	0.060
			Remote M12 connector	<b>XS8C1A1PBL01M12</b>	0.060
		NPN	Pre-cabled (L = 2 m) (3)	<b>XS8C1A1NBL2</b>	0.095
			M8 connector	<b>XS8C1A1NBM8</b>	0.060
			Remote M12 connector	<b>XS8C1A1NBL01M12</b>	0.060

### Two-wire ~ or --- unprotected (4)

25	NO	-	Pre-cabled (L = 2 m) (3)	<b>XS8C1A1MAL2</b>	0.090
			Remote 1/2"-20UNF connector	<b>XS8C1A1MAL01U20</b>	0.060
	NC	-	Pre-cabled (L = 2 m) (3)	<b>XS8C1A1MBL2</b>	0.090
			Remote 1/2"-20UNF connector	<b>XS8C1A1MBL01U20</b>	0.060

### Flat, 80 x 80 x 26 mm format (2)

Sensing distance (Sn) mm	Function	Output	Connection	Reference	Weight kg
<b>Three-wire --- with overload and short-circuit protection</b>					
60	NO	PNP	Pre-cabled (L = 2 m) (3)	<b>XS8D1A1PAL2 (5)</b>	0.390
			M12 connector	<b>XS8D1A1PAM12 (5)</b>	0.340
			Remote M12 connector	<b>XS8D1A1PAL01M12 (5)</b>	0.340
		NPN	Pre-cabled (L = 2 m) (3)	<b>XS8D1A1NAL2 (5)</b>	0.390
			M12 connector	<b>XS8D1A1NAM12 (5)</b>	0.340
			Remote M12 connector	<b>XS8D1A1NAL01M12 (5)</b>	0.340
	NC	PNP	Pre-cabled (L = 2 m) (3)	<b>XS8D1A1PBL2 (5)</b>	0.390
			M12 connector	<b>XS8D1A1PBM12 (5)</b>	0.340
			Remote M12 connector	<b>XS8D1A1PBL01M12 (5)</b>	0.340
		NPN	Pre-cabled (L = 2 m) (3)	<b>XS8D1A1NBL2 (5)</b>	0.390
			M12 connector	<b>XS8D1A1NBM12 (5)</b>	0.340
			Remote M12 connector	<b>XS8D1A1NBL01M12 (5)</b>	0.340

### Two-wire ~ or --- unprotected (4)

60	NO	-	Pre-cabled (L = 2 m) (3)	<b>XS8D1A1MAL2 (5)</b>	0.390
			1/2"-20UNF connector	<b>XS8D1A1MAU20 (5)</b>	0.340
	NC	-	Pre-cabled (L = 2 m) (3)	<b>XS8D1A1MBL2 (5)</b>	0.390
			1/2"-20UNF connector	<b>XS8D1A1MBU20 (5)</b>	0.340

(1) For further information on flush or non flush mountable sensors using teach mode, see page 70.

(2) For accessories, see page 118.

(3) For a 5 m long cable replace L2 by L5; for a 10 m long cable replace L2 by L10.

(4) It is essential to connect a 0.4 A "quick-blow" fuse in series with the load.

(5) For clipping onto 35 mm omega rail or 80 x 80 x 40 mm format, add DIN to the end of the reference. Example: **XS8D1A1PAL2 DIN**.