



contactor relay, 3 NO + 1 NC, 230 V AC, 50/60 Hz, screw terminal, frame size S00, multi-unit packaging, pack = 40 units

General technical data

| | |
|--------------------------------|------------|
| Substance Prohibittance (Date) | 10/01/2009 |
| Net Weight | 0.226 kg |

Approvals Certificates

| General Product Approval | EMV | Test Certificates | Maritime application |
|--------------------------|-----|-------------------|----------------------|
|--------------------------|-----|-------------------|----------------------|



[Special Test Certificate](#)



| Maritime application | other |
|----------------------|-------|
|----------------------|-------|



| other | Railway | Environment |
|-------|---------|-------------|
|-------|---------|-------------|

[Confirmation](#)

[Miscellaneous](#)

[Special Test Certificate](#)

[Environmental Confirmations](#)

Further information

Information on the packaging

<https://support.industry.siemens.com/cs/ww/en/view/109813875>

Information for data generation and storage

<https://support.industry.siemens.com/cs/ww/en/view/109995012>

Information- and Downloadcenter (Catalogs, Brochures,...)

<https://www.siemens.com/ic10>

Industry Mall (Online ordering system)

<https://mall.industry.siemens.com/mall/en/en/Catalog/product?mlfb=3RH2131-1AP00-Z W97>

Service&Support (Manuals, Certificates, Characteristics, FAQs,...)

<https://support.industry.siemens.com/cs/ww/en/ps/3RH2131-1AP00-Z W97>

Image database (product images, 2D dimension drawings, 3D models, device circuit diagrams, EPLAN macros, ...)

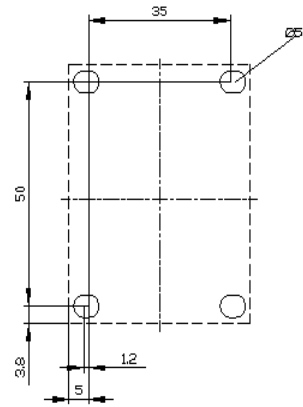
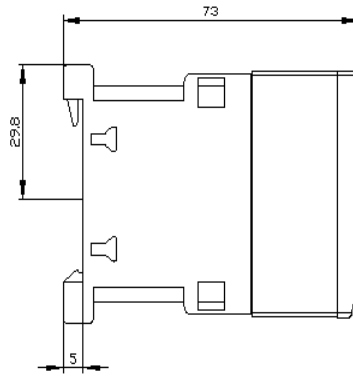
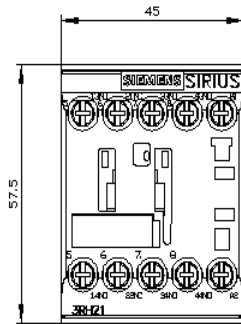
https://www.automation.siemens.com/bilddb/cax_de.aspx?mlfb=3RH2131-1AP00-Z W97&lang=en

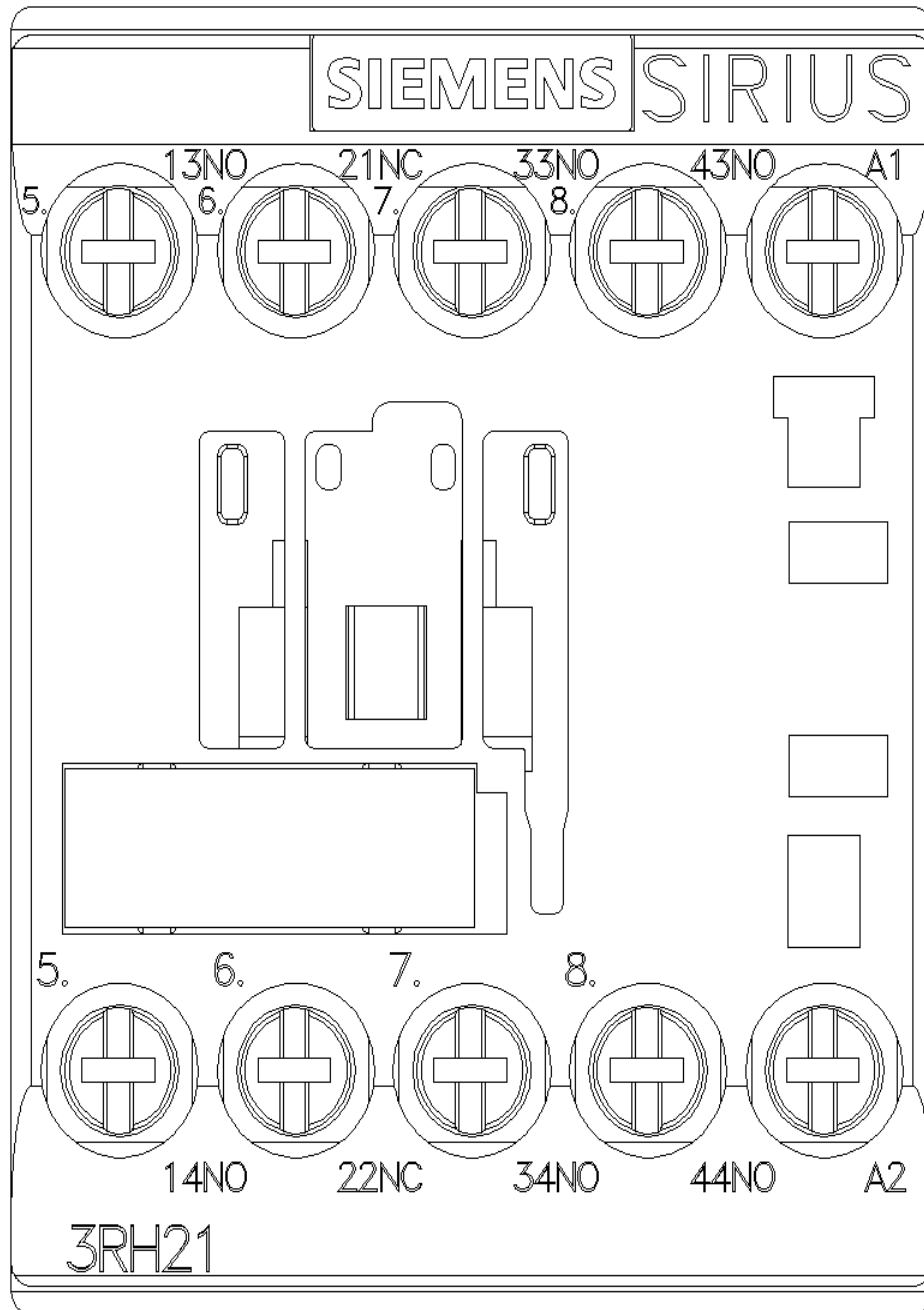
Cax online generator

<https://support.automation.siemens.com/WW/CAXorder/default.aspx?lang=en&mlfb=3RH2131-1AP00-Z W97>

Characteristic curves

[https://curves.simaris.siemens.com/curves/<mmp_prod_noCOMP="HAUPT"></mmp_prod_no>](https://curves.simaris.siemens.com/curves/<mmp_prod_noCOMP=)





last modified:

7/29/2025 