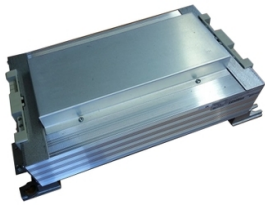


Product datasheet

Specifications



LR filter cell - output filter - 10 A - IP20

VW3A58451

⚠ Discontinued on: 2 Oct 2023

⚠ Discontinued

Main

Product or component type	LR filter cell
Range compatibility	Altivar 31C Altivar 312 Easy Altivar 310 Altivar 312 Solar Easy Altivar 310L
Product specific application	Output filter
Product compatibility	ATV312H018M2 ATV312H018M3 ATV312H037M2 ATV312H037M3 ATV312H037N4 ATV312H055M2 ATV312H055M3 ATV312H055N4 ATV312H075M2 ATV312H075M3 ATV312H075N4 ATV312H075S6 ATV312HU11M2 ATV312HU11M3 ATV312HU11N4 ATV312HU15M2 ATV312HU15M3 ATV312HU15N4 ATV312HU22N4 ATV312HU22S6 ATV312HU30N4 ATV312HU40N4 ATV312HU40S6 ATV312HU55S6 ATV31C018M2 ATV31C037M2 ATV31C037N4 ATV31C055M2 ATV31C055N4 ATV31C075M2 ATV31C075N4 ATV31CD11N4 ATV31CD15N4 ATV31CU11M2 ATV31CU11N4 ATV31CU15M2 ATV31CU15N4 ATV31CU22N4 ATV31CU30N4 ATV31CU40N4 Variable speed drive ATV310 at 0.37 kW Variable speed drive ATV310 at 0.75 kW Variable speed drive ATV310 at 1.5 kW Variable speed drive ATV310L at 0.75 kW Variable speed drive ATV310L at 1.5 kW Variable speed drive ATV310L at 2.2 kW Variable speed drive ATV310L at 3.0 kW Variable speed drive ATV310L at 4.0 kW Variable speed drive ATV310L at 5.5 kW

Excluding VAT, FCA Jabal Ali & amp; are subject to change – check with your local distributor.

maximum length of motor cable	100 m shielded cable 0.5...4 kHz)
Thermal losses	150 W
[In] rated current	10 A

Complementary

Net weight	7.4 kg
------------	--------

Environment

IP degree of protection	IP20
-------------------------	------

Packing Units

Unit Type of Package 1	PCE
Number of Units in Package 1	1
Package 1 Height	22.500 cm
Package 1 Width	51.600 cm
Package 1 Length	26.500 cm
Package 1 Weight	7.217 kg
Unit Type of Package 2	P06
Number of Units in Package 2	6
Package 2 Height	75.000 cm
Package 2 Width	60.000 cm
Package 2 Length	80.000 cm
Package 2 Weight	56.302 kg

Contractual warranty

Warranty (in months)	18
----------------------	----



Environmental Data

Schneider Electric aims to achieve Net Zero status by 2050 through supply chain partnerships, lower impact materials, and circularity via our ongoing “Use Better, Use Longer, Use Again” campaign to extend product lifetimes and recyclability.

[Environmental Data explained >](#)

[How we assess product sustainability >](#)

Use Better



Materials and Substances

EU RoHS Directive

[Compliant By Exemption](#)

Use Longer



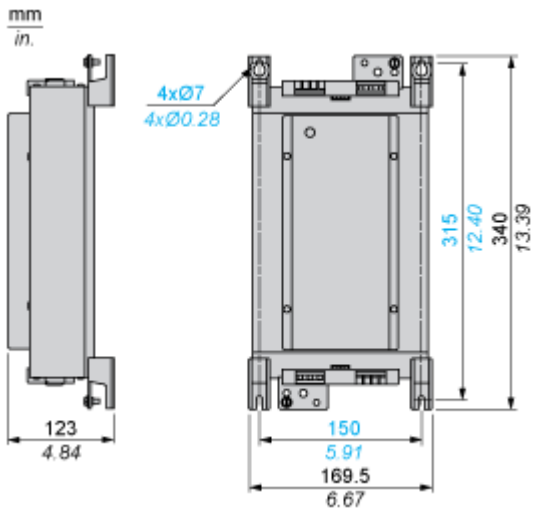
Lifetime extension

Repair

No

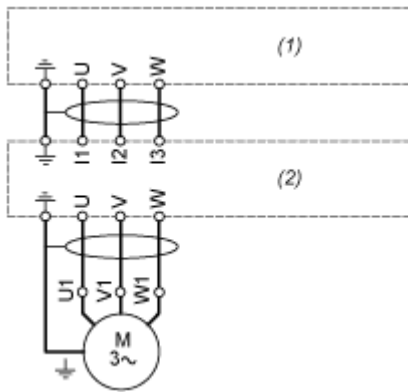
Dimensions Drawings

Dimensions



Connections and Schema

Recommended Schema



(1) Drive

(2) Filter