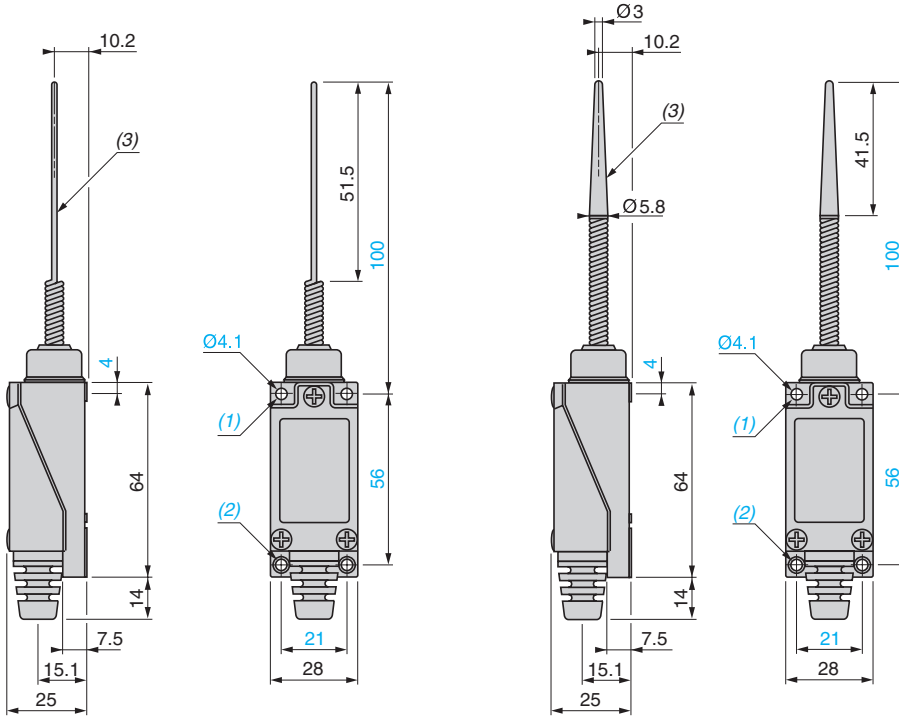


### Dimensions in mm

XCE106C

XCE181C



- (1) 2 holes M5 tapped 7 in depth.
- (2) 2 M5 tapped holes.
- (3) Stainless steel wire  $\varnothing$  1.2.

- (1) 2 holes M5 tapped 7 in depth.
- (2) 2 M5 tapped holes.
- (3) Nylon rod.