

Product data sheet

Specifications



General purpose relay, SE Relays, 750R, DPDT, 10A, 12 VAC, octal terminal 8 pins, clear cover

750XBRC-12A

⚠ Discontinued on: Oct 22, 2024

⚠ Discontinued

Product availability: Non-Stock - Not normally stocked in distribution facility

Main

Product Type	Plug-in electromechanical relay
Rated Line Current	10 A
Switch Function	DPDT
Contact Composition	2 NC + 2 NO

Complementary

Rated Operational Current	10 A at 277 V AC (on resistive load) conforming to UL 10 A at 30 V DC (on resistive load) conforming to UL 10 A at 250 V AC-1 (1 NO) (on resistive load) conforming to IEC 10 A at 28 V DC-1 (1 NO) (on resistive load) conforming to IEC 5 A at 250 V AC-1 (1 NC) (on resistive load) conforming to IEC 5 A at 28 V DC-1 (1 NC) (on resistive load) conforming to IEC
[Ue] rated operational voltage	12 V AC
Maximum Switching Voltage	300 V AC UL 30 V DC UL 250 V AC IEC 28 V DC IEC
Mounting Support	plug-in
Local Signalling	Flag Cover
Contacts Material	Silver alloy, gold flashed
Rated Power in HP	0.33 HP 120 V AC 1 HP 277 V AC
Connections Terminals	octal terminal connector socket 8 pins)
Control Circuit Voltage Limits	0.85...1.1 Un AC
Resistance	16.9 Ohm
Average Consumption	3 VA
Vibration Resistance	+/- 1 mm 10...35 Hz in operation 3 gn 35...150 Hz in operation
Operating Time	20 ms
Drop-out Voltage Threshold	>= 0.15 Uc AC >= 0.1 Uc DC
Minimum Switching Current	10 mA 17 V DC
Product Weight	2.9 oz (83 g)
Height	2.05 in (52 mm)
Width	1.4 in (35 mm)

Price is "List Price" and may be subject to a trade discount – check with your local distributor or retailer for actual price.

Depth	1.4 in (35.5 mm)
-------	------------------

Environment

Shock Resistance	10 gn
------------------	-------

Ambient Air Temperature for Operation	-40...131 °F (-40...55 °C)
---------------------------------------	----------------------------

Ambient Air Temperature for Storage	-40...185 °F (-40...85 °C)
-------------------------------------	----------------------------

Product Certifications	UL CSA CE EAC
------------------------	------------------------

Dielectric Strength	2500 V AC between coil and contact 2000 V AC between poles 1500 V AC between contacts
---------------------	---

Electrical Durability	100000 cycles
-----------------------	---------------

Mechanical Durability	5000000 cycles
-----------------------	----------------

IP Degree of Protection	IP40
-------------------------	------

Ordering and shipping details

Category	US10CP221127
----------	--------------

Discount Schedule	0CP2
-------------------	------

GTIN	3606480779237
------	---------------

Returnability	No
---------------	----

Country of origin	CN
-------------------	----

Packing Units

Unit Type of Package 1	PCE
------------------------	-----

Nbr. of units in pkg.	1
-----------------------	---

Package 1 Height	1.41 in (3.57 cm)
------------------	-------------------

Package 1 Width	1.4 in (3.5 cm)
-----------------	-----------------

Package 1 Length	2.09 in (5.3 cm)
------------------	------------------

Package weight(Lbs)	2.9 oz (83 g)
---------------------	---------------

Contractual warranty

Warranty (in months)	18
----------------------	----



Environmental Data

Schneider Electric aims to achieve Net Zero status by 2050 through supply chain partnerships, lower impact materials, and circularity via our ongoing “Use Better, Use Longer, Use Again” campaign to extend product lifetimes and recyclability.

[Environmental Data explained >](#)

[How we assess product sustainability >](#)



Environmental footprint

Total lifecycle Carbon footprint	39 kg CO2 eq.
Environmental Disclosure	Product Environmental Profile
Carbon footprint of the manufacturing phase [A1 to A3]	0.6 kg CO2 eq.
Carbon footprint of the distribution phase [A4]	0 kg CO2 eq.
Carbon footprint of the installation phase [A5]	0 kg CO2 eq.
Carbon footprint of the use phase [B2, B3, B4, B6]	38 kg CO2 eq.
Carbon footprint of the end-of-life phase [C1 to C4]	0.2 kg CO2 eq.

Use Better



Materials and Substances

Packaging made with recycled cardboard	Yes
Packaging without single use plastic	Yes
EU RoHS Directive	Pro-active compliance (Product out of EU RoHS legal scope)
California proposition 65	WARNING: This product can expose you to chemicals including: Nickel compounds, which is known to the State of California to cause cancer, and Di-isodecyl phthalate (DIDP), which is known to the State of California to cause birth defects or other reproductive harm. For more information go to www.P65Warnings.ca.gov

Use Longer



Lifetime extension

Repair	No
--------	----

Use Again

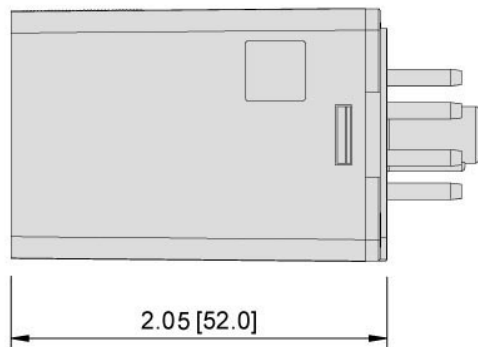
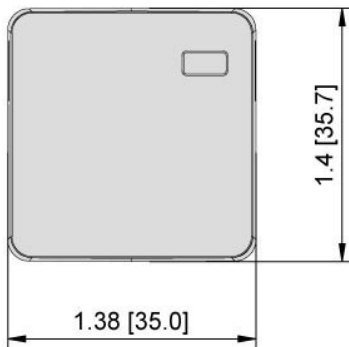


Repack and remanufacture

Circularity Profile	End of Life Information
---------------------	---

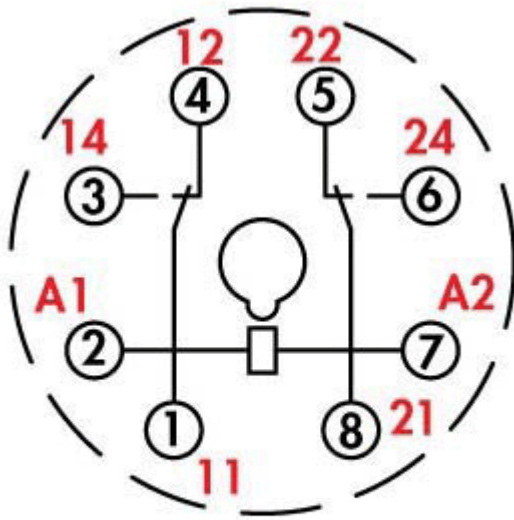
Dimensions Drawings

Approximate Dimensions



Connections and Schema

Connections and Wiring Diagrams



NEMA
IEC