

Siemens
EcoTech



digital monitoring relay current, active current, voltage, cos-phi and performance monitoring with IO-Link, up to 690 V AC/DC up to 10 A supply voltage 24 V DC ON delay and tripping delay 0.1..999.9 s 1 changeover contact screw terminal

product brand name	SIRIUS
product designation	Network monitoring relay with digital setting
design of the product	monitoring of current, active current, voltage, power factor and power, externally powered with auxiliary voltage for IO-Link
product type designation	3UG5
General technical data	
product function	network monitoring relay with digital setting
design of the display	LCD
insulation voltage for overvoltage category III according to IEC 60664	
• with degree of pollution 2 rated value	690 V
• with degree of pollution 3 rated value	690 V
degree of pollution	3
surge voltage resistance rated value	6 kV
shock resistance according to IEC 60068-2-27	sinusoidal half-wave 15g / 11 ms
vibration resistance according to IEC 60068-2-6	f = 4 ... 5,81 Hz, dmax = 15 mm; f = 5,81 ... 500 Hz, Amax = 20 m/s ² ; 10 cycles
mechanical service life (operating cycles) typical	10 000 000
electrical endurance (operating cycles) at AC-15 at 230 V typical	100 000
thermal current of the switching element with contacts maximum	5 A
reference code according to IEC 81346-2	K
Substance Prohibitance (Date)	06/01/2023
SVHC substance name	Lead - 7439-92-1 Lead monoxide (lead oxide) - 1317-36-8
Net Weight	0.164 kg
Product Function	
product function	
• overcurrent detection 1 phase	Yes
• undercurrent detection 1 phase	Yes
• adjustable open/closed-circuit current principle	Yes
• external reset	Yes
• auto-RESET	Yes
• manual RESET	Yes
Control circuit/ Control	
type of voltage of the control supply voltage	DC
control supply voltage at DC rated value	24 V
supply voltage frequency for auxiliary and control circuit	50 ... 60 Hz

rated value	
operating range factor control supply voltage rated value at DC	
<ul style="list-style-type: none"> initial value full-scale value 	 0.7 1.25
Measuring circuit	
type of current for monitoring	AC/DC
measurable current	0.003 ... 10 A
measurable voltage at AC	0.1 ... 760 V
adjustable current response value current limited to 5 s	15 A
adjustable response delay time	
<ul style="list-style-type: none"> when starting with lower or upper limit violation 	 0 ... 999.9 s 0 ... 999.9 s
adjustable switching hysteresis for measured current value	0 ... 5 000 mA
accuracy of digital display	+/-1 digit
Communication/ Protocol	
protocol is supported IO-Link protocol	Yes
IO-Link transfer rate	COM2 (38,4 kBaud)
point-to-point cycle time between master and IO-Link device minimum	5 ms
type of voltage supply via input/output link master	Yes
data volume	
<ul style="list-style-type: none"> of the address range of the inputs with cyclical transfer total of the address range of the outputs with cyclical transfer total 	 4 byte 2 byte
Auxiliary circuit	
number of NC contacts delayed switching	0
number of NO contacts delayed switching	0
number of CO contacts delayed switching	1
Main circuit	
number of poles for main current circuit	1
ampacity of the output relay at AC-15	
<ul style="list-style-type: none"> at 250 V at 50/60 Hz at 400 V at 50/60 Hz 	 3 A 3 A
ampacity of the output relay at DC-13	
<ul style="list-style-type: none"> at 24 V at 125 V at 250 V 	 1 A 0.2 A 0.1 A
ampacity of the semiconductor output in SIO mode	200 mA
operational current at 17 V minimum	5 mA
continuous current of the DIAZED fuse link of the output relay	6 A
Galvanic isolation	
galvanic isolation	
<ul style="list-style-type: none"> between input and output between the voltage supply and other circuits 	 Yes Yes
Connections/ Terminals	
product component removable terminal for auxiliary and control circuit	Yes
type of electrical connection	screw terminal
type of connectable conductor cross-sections	
<ul style="list-style-type: none"> solid finely stranded with core end processing for AWG cables solid 	 1x (0.5 ... 4 mm ²), 2x (0.5 ... 2.5 mm ²) 2x (0.5 ... 1.5 mm ²), 1x (0.5 ... 4 mm ²) 1x (20 ... 12), 2x (20 ... 14)
connectable conductor cross-section	
<ul style="list-style-type: none"> solid finely stranded with core end processing 	 0.5 ... 4 mm ² 0.5 ... 4 mm ²
AWG number as coded connectable conductor cross section	
<ul style="list-style-type: none"> solid 	20 ... 12

• stranded	20 ... 12
tightening torque with screw-type terminals	0.6 ... 0.8 N·m
Installation/ mounting/ dimensions	
mounting position	any
fastening method	screw and snap-on mounting
height	100 mm
width	22.5 mm
depth	90 mm
required spacing	
• with side-by-side mounting	
— forwards	0 mm
— backwards	0 mm
— upwards	0 mm
— downwards	0 mm
— at the side	0 mm
• for grounded parts	
— forwards	0 mm
— backwards	0 mm
— upwards	0 mm
— at the side	0 mm
— downwards	0 mm
• for live parts	
— forwards	0 mm
— backwards	0 mm
— upwards	0 mm
— downwards	0 mm
— at the side	0 mm
Ambient conditions	
installation altitude at height above sea level maximum	2 000 m
ambient temperature	
• during operation	-25 ... +60 °C
• during storage	-40 ... +80 °C
• during transport	-40 ... +80 °C

Approvals Certificates	
General Product Approval	other



[Confirmation](#)



Environment

Siemens
EcoTech



[Environmental Con-
firmations](#)

Further information

Information on the packaging

<https://support.industry.siemens.com/cs/ww/en/view/109813875>

Information for data generation and storage

<https://support.industry.siemens.com/cs/ww/en/view/109995012>

Information- and Downloadcenter (Catalogs, Brochures,...)

<https://www.siemens.com/ic10>

Industry Mall (Online ordering system)

<https://mall.industry.siemens.com/mall/en/en/Catalog/product?mlfb=3UG5842-1AA40>

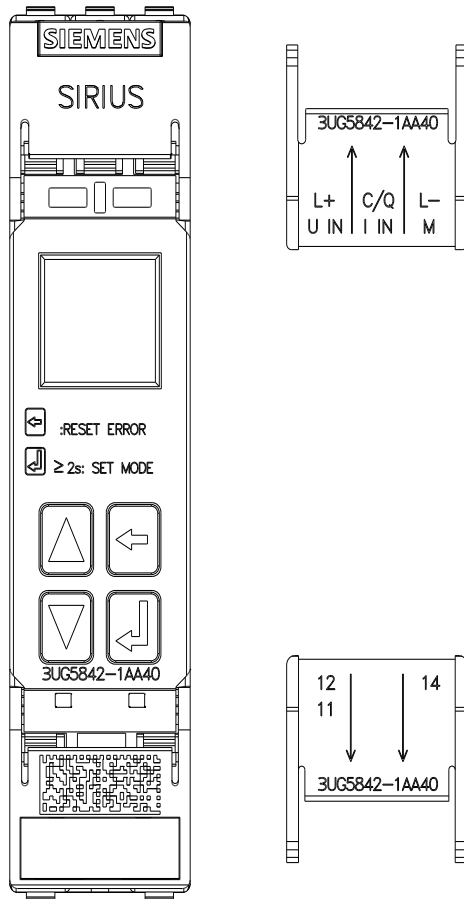
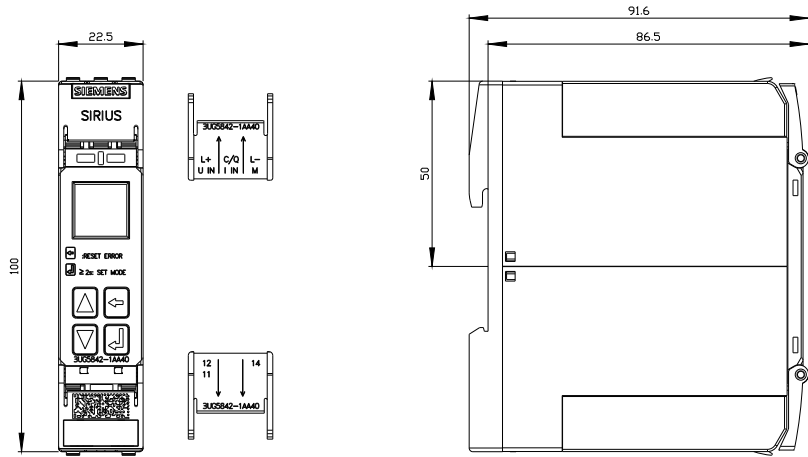
Cax online generator

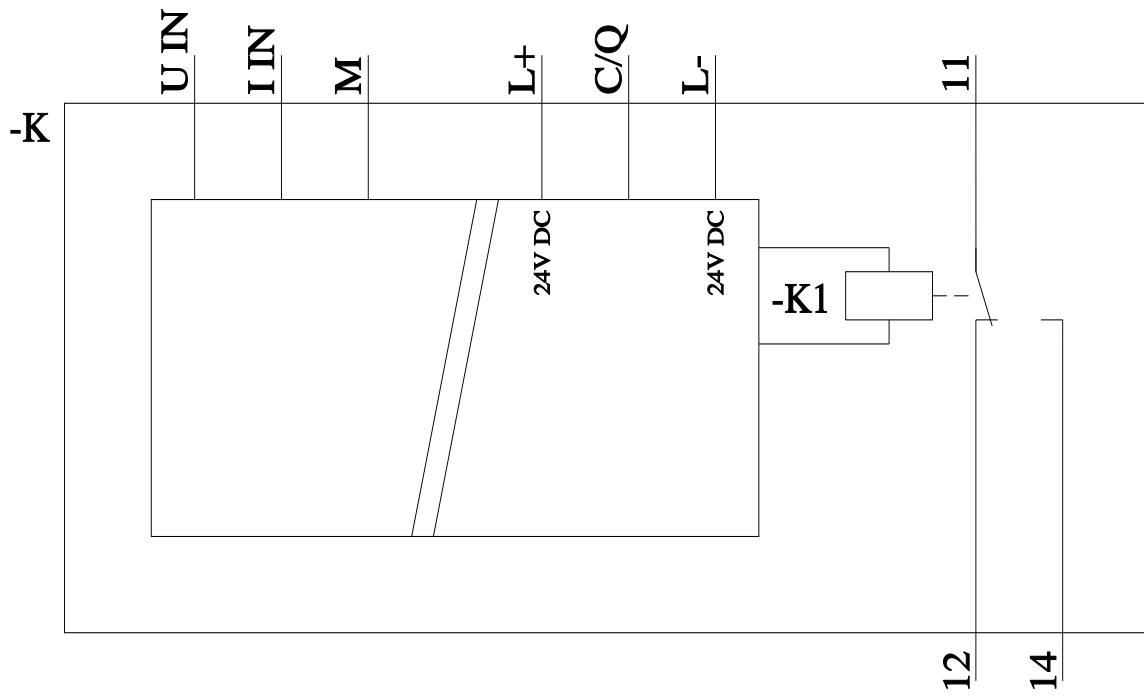
<https://support.automation.siemens.com/WW/CAXorder/default.aspx?lang=en&mlfb=3UG5842-1AA40>

Service&Support (Manuals, Certificates, Characteristics, FAQs,...)

<https://support.industry.siemens.com/cs/ww/en/ps/3UG5842-1AA40>

Image database (product images, 2D dimension drawings, 3D models, device circuit diagrams, EPLAN macros, ...)





last modified:

11/25/2025 