

Product datasheet

Specifications



sinus filter - 460 A - for Altivar variable speed drive

VW3A5213

⚠ Discontinued on: Aug 20, 2025

⚠ Discontinued

Main

Product or component type	Sinus filter
Range compatibility	Altivar 61 Altivar 71
Product specific application	Output filter
[In] rated current	460 A
Thermal losses	2800 W at 100 Hz
Product compatibility	ATV61HC25Y ATV61HC31Y ATV61HC40Y ATV71HC20Y ATV71HC25Y ATV71HC31Y
Switching frequency	4...8 kHz
Maximum output frequency	100 Hz
maximum permissible voltage	690 V AC

Complementary

Electrical connection	Bare wires diameter: 14 mm
Maximum voltage drop at rated load	10 %
Max current	1.5 x nominal current (duration = 60 s)
Product weight	300 kg

Environment

IP degree of protection	IP00
Environmental characteristic	3B1 conforming to IEC 721-3-3 3C2 conforming to IEC 721-3-3 3S1 conforming to IEC 721-3-3
Pollution degree	2 conforming to EN 50178
Vibration resistance	1 gn (f= 13...200 Hz) conforming to IEC 60068-2 1.5 mm peak to peak (f= 3...13 Hz) conforming to IEC 60068-2
Shock resistance	15 gn for 11 ms conforming to IEC 60068-2-27
Relative humidity	0...95 %
Ambient air temperature for operation	40...50 °C (with current derating 1.5 % per °C) -10...40 °C (without current derating)
Ambient air temperature for storage	-40...65 °C

Operating altitude	<= 1000 m without current derating 1000...3000 m with current derating 1 % per 100 m
---------------------------	---

Packing Units

Unit Type of Package 1	PCE
Number of Units in Package 1	1
Package 1 Height	70.0 cm
Package 1 Width	55.0 cm
Package 1 Length	115.0 cm
Package 1 Weight	320.0 kg

Contractual warranty

Warranty (in months)	18
-----------------------------	----



Environmental Data

Schneider Electric aims to achieve Net Zero status by 2050 through supply chain partnerships, lower impact materials, and circularity via our ongoing “Use Better, Use Longer, Use Again” campaign to extend product lifetimes and recyclability.

[Environmental Data explained >](#)

[How we assess product sustainability >](#)

Use Better



Materials and Substances

Packaging made with recycled cardboard

No

Packaging without single use plastic

No

EU RoHS Directive

[Compliant](#)

REACH Regulation

[Free of Substances of Very High Concern above the threshold](#)

Use Longer



Lifetime extension

Repair

No

Use Again



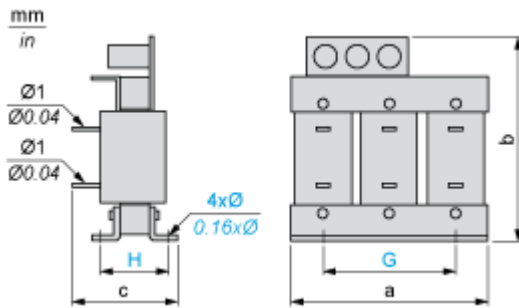
Repack and remanufacture

Take-back

No

Dimensions Drawings

Dimensions



Dimensions in mm

a	b	c	G	H	Ø	Ø1
480	870	420	430	295	13 x 18	14

Dimensions in in.

a	b	c	G	H	Ø	Ø1
18.90	34.25	16.53	16.93	11.61	0.51 x 0.71	0.55

Mounting and Clearance

Mounting Recommendations

