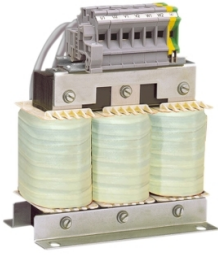


Product datasheet

Specifications



motor choke - 481 A - for variable speed drive Altivar - IP00

VW3A5106

Main

Product or component type	Motor choke
Range compatibility	Altivar 61 Altivar 71 Altivar Process ATV600 Altivar 61Q Altivar Process ATV900 Altivar 71Q
Product specific application	Output filter
[In] rated current	481 A
Product compatibility	ATV61HC16N4 ATV61HC22N4 ATV61HC31Y ATV61HC40Y ATV61HD90M3X ATV61QC20N4 ATV61QC25N4 ATV61QC25Y ATV61QC31Y ATV71HC16N4 ATV71HC20N4 ATV71HC25N4 ATV71HC25Y ATV71HC31Y ATV71QC16N4 ATV71QC20N4 ATV71QC20Y ATV71QC25Y ATV630 variable speed drive wall mount - 220 kW, 380...480 V ATV930 variable speed drive wall mount - 220 kW, 380...480 V
nedded quantity	3
Electrical connection	Tag connector 2 x M12

Complementary

Maximum motor cable length	250 m shielded cable P motor 90 kW at 200...240 V 300 m unshielded cable P motor 90 kW at 200...240 V 250 m shielded cable P motor 160...220 kW at 380...480 V 1 300 m unshielded cable P motor 160...220 kW at 380...480 V 1 150 m shielded cable P motor 250...400 kW at 500...690 V 1 250 m unshielded cable P motor 250...400 kW at 500...690 V 1 250 m shielded cable P motor 250...400 kW at 500...690 V 2 400 m unshielded cable P motor 250...400 kW at 500...690 V 2
dv/dt	500 V/μs max at 400 V 750 V/μs max at 500 V 1000 V/μs max at 690 V
Thermal losses	530 W
maximum drive output frequency	100 Hz
Ambient air temperature for operation	-10...50 °C
Net weight	58 kg

Environment

IP degree of protection IP20 (with kits VW3A9612,613)
IP00

Ambient air temperature for storage -25...70 °C

Packing Units

Unit Type of Package 1 PCE

Number of Units in Package 1 1

Package 1 Height 58.000 cm

Package 1 Width 60.000 cm

Package 1 Length 80.000 cm

Package 1 Weight 31.500 kg

Contractual warranty

Warranty (in months) 18



Environmental Data

Schneider Electric aims to achieve Net Zero status by 2050 through supply chain partnerships, lower impact materials, and circularity via our ongoing “Use Better, Use Longer, Use Again” campaign to extend product lifetimes and recyclability.

[Environmental Data explained >](#)

[How we assess product sustainability >](#)

Use Better



Materials and Substances

Packaging made with recycled cardboard

No

Packaging without single use plastic

No

Use Longer



Lifetime extension

Repair

No

Use Again



Repack and remanufacture

Take-back

No

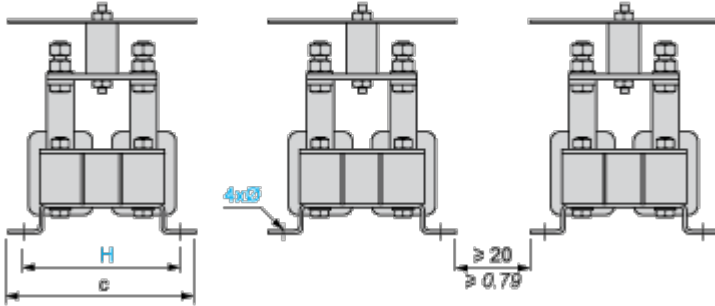
Dimensions Drawings

Dimensions

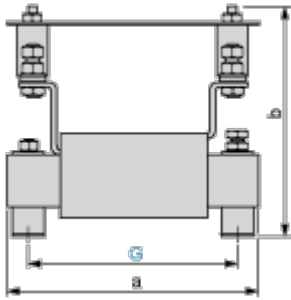
Front View

The choke comprise 3 components

mm
in.



Right View

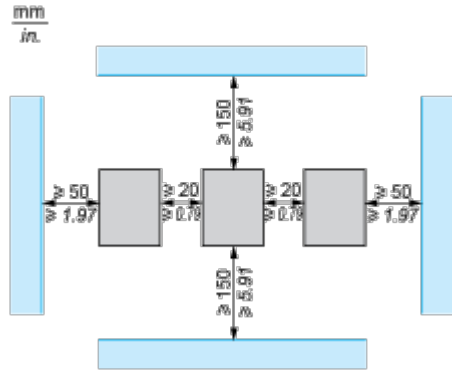


a	b	c	G	H	Ø
245	250	200	225	175	9 x 13
9.65	9.84	7.87	8.86	6.89	0.35 x 0.51

Mounting and Clearance

Mounting Recommendations

Horizontal mounting



Vertical mounting

