



Figure similar

Overload relay, 1.8...2.5 A, motor protection Size S0, Class 10 Contactor mounting
Main circuit: screw terminal Auxiliary circuit: screw

product brand name	SIRIUS
product designation	Thermal overload relay
product type designation	3RU7
General technical data	
size of overload relay	S0
size of contactor can be combined company-specific	S0
power loss [W] total typical	5.7 W
power loss [W] for rated value of the current at AC in hot operating state	5.7 W
• per pole	1.9 W
type of calculation of power loss current-dependent	quadratic
insulation voltage with degree of pollution 3 at AC rated value	690 V
surge voltage resistance rated value	6 kV
protection class IP	
• on the front	IP20
• of the terminal	IP20
shock resistance according to IEC 60068-2-27	8 g / 11 ms
Net Weight	0.16 kg
Ambient conditions	
installation altitude at height above sea level maximum	2 000 m
ambient temperature	
• during operation	-20 ... +55 °C
• during transport	-25 ... +70 °C
relative humidity during operation	0 ... 90 %
Main circuit	
number of poles for main current circuit	3
adjustable current response value current of the current-dependent overload release	1.8 ... 2.5 A
type of voltage for main current circuit	AC/DC
operating voltage rated value	690 V
operating frequency rated value	50 ... 60 Hz
operational current rated value	2.5 A
Auxiliary circuit	
operational current of auxiliary contacts at AC-15	
• at 24 V	3 A
• at 230 V	2 A
operational current of auxiliary contacts at DC-13 at 24 V	1 A
Protective and monitoring functions	

trip class	CLASS 10
design of the overload release	thermal
Short-circuit protection	
design of the fuse link for short-circuit protection of the auxiliary switch required	fuse gL/gG: 6 A, quick: 10 A
Installation/ mounting/ dimensions	
mounting position	with vertical mounting surface +/-135° rotatable, with vertical mounting surface +/- 45° tiltable to the front and back
fastening method	Contacting mounting
height	97 mm
width	45 mm
depth	96 mm
required spacing for grounded parts at the side	6 mm
Connections/ Terminals	
type of electrical connection	
<ul style="list-style-type: none"> for main current circuit for auxiliary and control circuit 	screw-type terminals screw-type terminals
arrangement of electrical connectors for main current circuit	Top and bottom
type of connectable conductor cross-sections for main contacts	
<ul style="list-style-type: none"> solid or stranded finely stranded with core end processing 	2x (1 ... 2.5 mm ²), 2x (2.5 ... 10 mm ²) 2x (1 ... 2.5 mm ²), 2x (2.5 ... 6 mm ²), 1x 10 mm ² max.
type of connectable conductor cross-sections for auxiliary contacts	
<ul style="list-style-type: none"> solid or stranded finely stranded with core end processing 	2x (0.5 ... 1.5 mm ²), 2x (0.75 ... 2.5 mm ²) 2x (0.5 ... 1.5 mm ²), 2x (0.75 ... 2.5 mm ²)
tightening torque	
<ul style="list-style-type: none"> for main contacts with screw-type terminals for auxiliary contacts with screw-type terminals 	2 ... 2.5 N·m 0.8 ... 1.2 N·m
Electrical Safety	
protection class IP on the front according to IEC 60529	IP20
touch protection on the front according to IEC 60529	finger-safe, for vertical contact from the front

Approvals Certificates		
Environment	General Product Approval	other

[Environmental Conformations](#)



[Confirmation](#)

other



Further information

Information on the packaging

<https://support.industry.siemens.com/cs/ww/en/view/109813875>

Information for data generation and storage

<https://support.industry.siemens.com/cs/ww/en/view/109995012>

Information- and Downloadcenter (Catalogs, Brochures,...)

<https://www.siemens.com/ic10>

Industry Mall (Online ordering system)

<https://mall.industry.siemens.com/mall/en/en/Catalog/product?mlfb=3RU7126-1CB0>

Service&Support (Manuals, Certificates, Characteristics, FAQs,...)

<https://support.industry.siemens.com/cs/ww/en/ps/3RU7126-1CB0>

Image database (product images, 2D dimension drawings, 3D models, device circuit diagrams, EPLAN macros, ...)

https://www.automation.siemens.com/bilddb/cax_de.aspx?mlfb=3RU7126-1CB0&lang=en

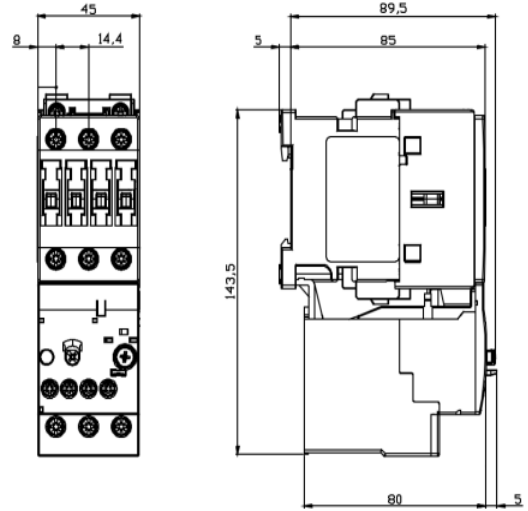
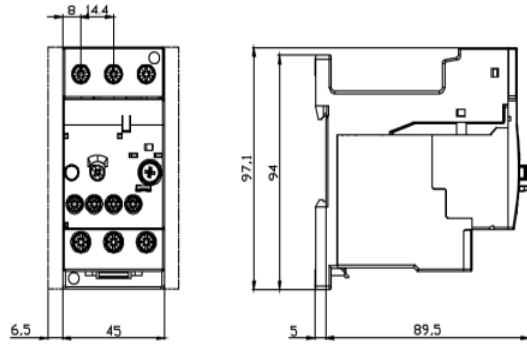
Cax online generator

<https://support.automation.siemens.com/WW/CAXorder/default.aspx?lang=en&mlfb=3RU7126-1CB0>

Characteristic curves

3RU7126 Mounting with Stand-alone adaptor

3RU7126 Mounting with contactor



last modified:

4/4/2026