

	AS-Interface coupling module PG-E for standard round cables
product category	I/O modules accessories for use in the IP67 field - user modules
design of the product	PG-E coupling module
accessories included	1x coupling module, 4x insertion nuts, 2x cable glands PG11, 3x screw plugs
<b>General technical data</b>	
operating voltage according to AS-Interface specification	26.5 ... 31.6 V
contact rating maximum	4 A
protection class IP	IP67
Substance Prohibitance (day/month/year)	07/01/2006
Net Weight	0.111 kg
<b>Ambient conditions</b>	
ambient temperature	
• during operation	-25 ... +85 °C
<b>Connections/ Terminals</b>	
type of electrical connection	PG gland
installation or assembly note	when using AS-Interface flat cables, shaped PG seals are required (3RX9 805-0AA00)

<b>Approvals Certificates</b>			
Environment	General Product Approval	Maritime application	other

[Environmental Confirmations](#)



[Confirmation](#)

other

[Confirmation](#)



### Further information

**Siemens is working on the renewal of the current EAC certificates.**

Please contact your local Siemens office on the status of validity of the EAC certification if you intend to import or offer to supply these products to an EAC relevant market (other than the sanctioned EAEU member states Russia or Belarus).

**Siemens has decided to exit the Russian market (see here).**

<https://press.siemens.com/global/en/pressrelease/siemens-wind-down-russian-business>

**Information on the packaging**

<https://support.industry.siemens.com/cs/ww/en/view/109813875>

**Information for data generation and storage**

<https://support.industry.siemens.com/cs/ww/en/view/109995012>

**Information- and Downloadcenter (Catalogs, Brochures,...)**

<https://www.siemens.com/ic10>

**Industry Mall (Online ordering system)**

<https://mall.industry.siemens.com/mall/en/en/Catalog/product?mlfb=3RG9240-0AA00>

**Cax online generator**

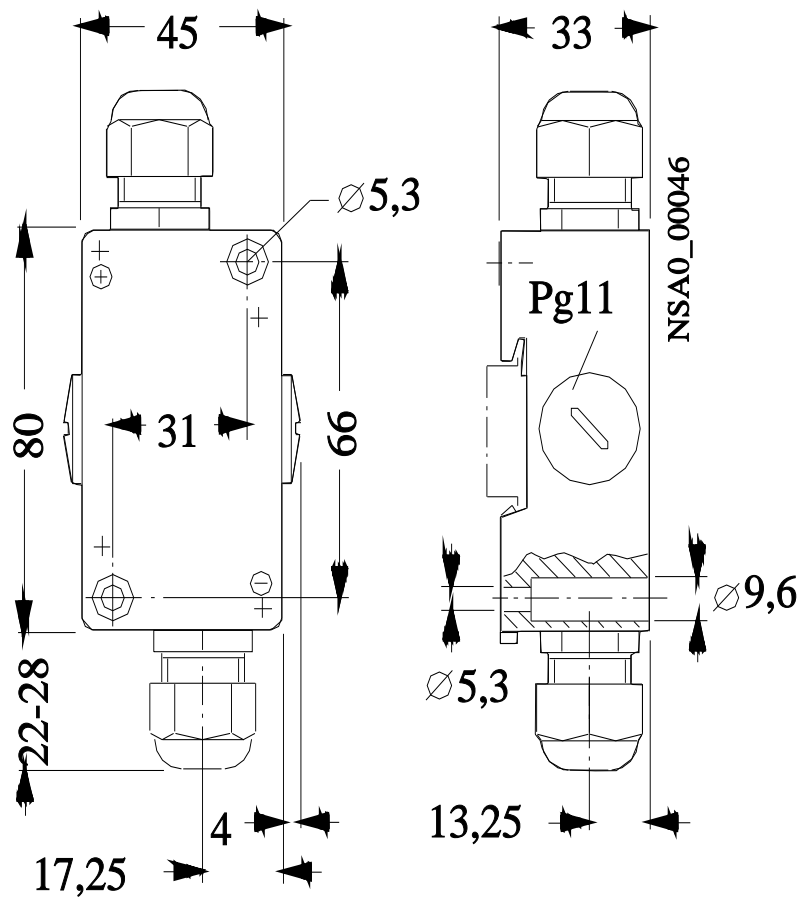
<https://support.automation.siemens.com/WW/CAXorder/default.aspx?lang=en&mlfb=3RG9240-0AA00>

**Service&Support (Manuals, Certificates, Characteristics, FAQs,...)**

<https://support.industry.siemens.com/cs/ww/en/ps/3RG9240-0AA00>

**Image database (product images, 2D dimension drawings, 3D models, device circuit diagrams, EPLAN macros, ...)**

[https://www.automation.siemens.com/bilddb/cax\\_de.aspx?mlfb=3RG9240-0AA00&lang=en](https://www.automation.siemens.com/bilddb/cax_de.aspx?mlfb=3RG9240-0AA00&lang=en)



last modified:

12/3/2025