



Fuseless motor starter Reversing operation 600VAC Size S0 0.55-0.8A 110/120VAC 50/60HZ screw connection For 35 mm rail-mounting Type of coordination 2 IQ = 150 KA Also full fills type Of coordination 1 1NO+1NC (per contactor)

<b>product brand name</b>	SIRIUS
<b>product designation</b>	non-fused motor starter 3RA2
<b>design of the product</b>	reversing starter
<b>manufacturer's article number</b>	
<ul style="list-style-type: none"> <li>• of the supplied contactor</li> <li>• of the supplied circuit-breakers</li> <li>• of the supplied RH assembly kit</li> <li>• of the supplied busbar adapter</li> <li>• of the supplied link module</li> <li>• of the supplied DIN-rail adapter</li> </ul>	<a href="#">3RT2023-1AK60</a> <a href="#">3RV2011-0HA10</a> <a href="#">3RA2923-1BB1</a> <a href="#">3RA2922-1AA00</a> <a href="#">3RA2921-1AA00</a> <a href="#">3RA2922-1AA00</a>
<b>General technical data</b>	
<b>size of the circuit-breaker</b>	S00
<b>size of load feeder</b>	S0
product extension auxiliary switch	Yes
insulation voltage with degree of pollution 3 at AC rated value	690 V
<b>degree of pollution</b>	3
<b>surge voltage resistance rated value</b>	6 kV
<b>shock resistance according to IEC 60068-2-27</b>	6 g / 11 ms
mechanical service life (operating cycles) of contactor typical	10 000 000
<b>type of coordination</b>	2
<b>Substance Prohibitance (day/month/year)</b>	03/01/2017
<b>SVHC substance name</b>	Lead CAS-No. 7439-92-1
<b>Net Weight</b>	1.43 kg
<b>Ambient conditions</b>	
<b>ambient temperature</b>	
<ul style="list-style-type: none"> <li>• during operation</li> <li>• during storage</li> <li>• during transport</li> </ul>	-20 ... +60 °C -50 ... +80 °C -55 ... +80 °C
<b>Main circuit</b>	
<b>number of poles for main current circuit</b>	3
<b>design of the switching contact</b>	electromechanical
<b>adjustable current response value current of the current-dependent overload release</b>	0.55 ... 0.8 A
<b>operating voltage</b>	
<ul style="list-style-type: none"> <li>• rated value</li> <li>• at AC-3 rated value maximum</li> </ul>	690 V 690 V
<b>operating frequency rated value</b>	50 ... 60 Hz
operational current at AC-3 at 400 V rated value	0.6 A
operating power at AC-3	

<ul style="list-style-type: none"> <li>• at 400 V rated value</li> <li>• at 500 V rated value</li> <li>• at 690 V rated value</li> </ul>	180 W 250 W 370 W		
<b>Control circuit/ Control</b>			
<b>control supply voltage at AC</b>			
<ul style="list-style-type: none"> <li>• at 50 Hz rated value</li> <li>• at 50 Hz rated value</li> <li>• at 60 Hz rated value</li> <li>• at 60 Hz rated value</li> </ul>	110 V 88 ... 121 V 120 V 96 ... 132 V		
<b>apparent holding power of magnet coil at AC</b>	7.2 VA		
<b>inductive power factor with the holding power of the coil</b>	0.28		
<b>Auxiliary circuit</b>			
<b>number of NC contacts for auxiliary contacts</b>	2		
<b>number of NO contacts for auxiliary contacts</b>	2		
<b>Protective and monitoring functions</b>			
<b>trip class</b>	CLASS 10		
<b>design of the overload release</b>	thermal (bimetallic)		
response value current of instantaneous short-circuit trip unit	10.4 A		
<b>Short-circuit protection</b>			
<b>product function short circuit protection</b>	Yes		
<b>design of the short-circuit trip</b>	magnetic		
<b>conditional short-circuit current (I<sub>q</sub>)</b>			
<ul style="list-style-type: none"> <li>• at 400 V according to IEC 60947-4-1 rated value</li> </ul>	153 000 A		
<b>Installation/ mounting/ dimensions</b>			
<b>mounting position</b>	vertical		
<b>fastening method</b>	snap-on fastening on 35 mm DIN rail		
<b>height</b>	265 mm		
<b>width</b>	90 mm		
<b>depth</b>	120 mm		
<b>required spacing</b>			
<ul style="list-style-type: none"> <li>• for grounded parts <ul style="list-style-type: none"> <li>— forwards</li> <li>— backwards</li> <li>— upwards</li> <li>— at the side</li> <li>— downwards</li> </ul> </li> <li>• for live parts <ul style="list-style-type: none"> <li>— forwards</li> <li>— backwards</li> <li>— upwards</li> <li>— downwards</li> <li>— at the side</li> </ul> </li> </ul>	10 mm 0 mm 30 mm 9 mm 10 mm  10 mm 0 mm 30 mm 10 mm 9 mm		
<b>Connections/ Terminals</b>			
type of electrical connection for main current circuit	screw-type terminals		
type of connectable conductor cross-sections for main contacts stranded	1 ... 10 mm <sup>2</sup> , 2x (2.5 ... 6 mm <sup>2</sup> )		
connectable conductor cross-section for main contacts finely stranded with core end processing	1 ... 6 mm <sup>2</sup>		
<b>Safety related data</b>			
proportion of dangerous failures with high demand rate according to SN 31920	73 %		
<b>B10 value with high demand rate according to SN 31920</b>	1 000 000		
<b>Electrical Safety</b>			
<b>protection class IP on the front according to IEC 60529</b>	IP20		
<b>touch protection on the front according to IEC 60529</b>	finger-safe, for vertical contact from the front		
<b>Approvals Certificates</b>			
<b>Environment</b>	<b>General Product Approval</b>	<b>For use in hazardous locations</b>	<b>other</b>

other

[Confirmation](#)



### Further information

Information on the packaging

<https://support.industry.siemens.com/cs/ww/en/view/109813875>

Information for data generation and storage

<https://support.industry.siemens.com/cs/ww/en/view/109995012>

Information- and Downloadcenter (Catalogs, Brochures,...)

<https://www.siemens.com/ic10>

Industry Mall (Online ordering system)

<https://mall.industry.siemens.com/mall/en/en/Catalog/product?mlfb=3RA2220-0HB23-0AK6>

Service&Support (Manuals, Certificates, Characteristics, FAQs,...)

<https://support.industry.siemens.com/cs/ww/en/ps/3RA2220-0HB23-0AK6>

Image database (product images, 2D dimension drawings, 3D models, device circuit diagrams, EPLAN macros, ...)

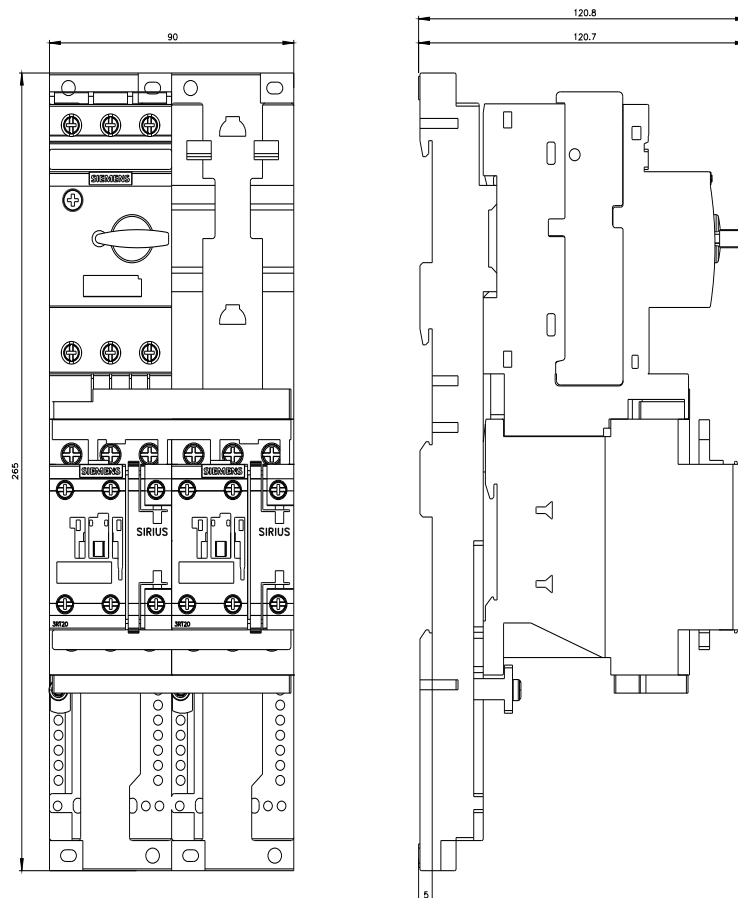
[https://www.automation.siemens.com/bilddb/cax\\_de.aspx?mlfb=3RA2220-0HB23-0AK6&lang=en](https://www.automation.siemens.com/bilddb/cax_de.aspx?mlfb=3RA2220-0HB23-0AK6&lang=en)

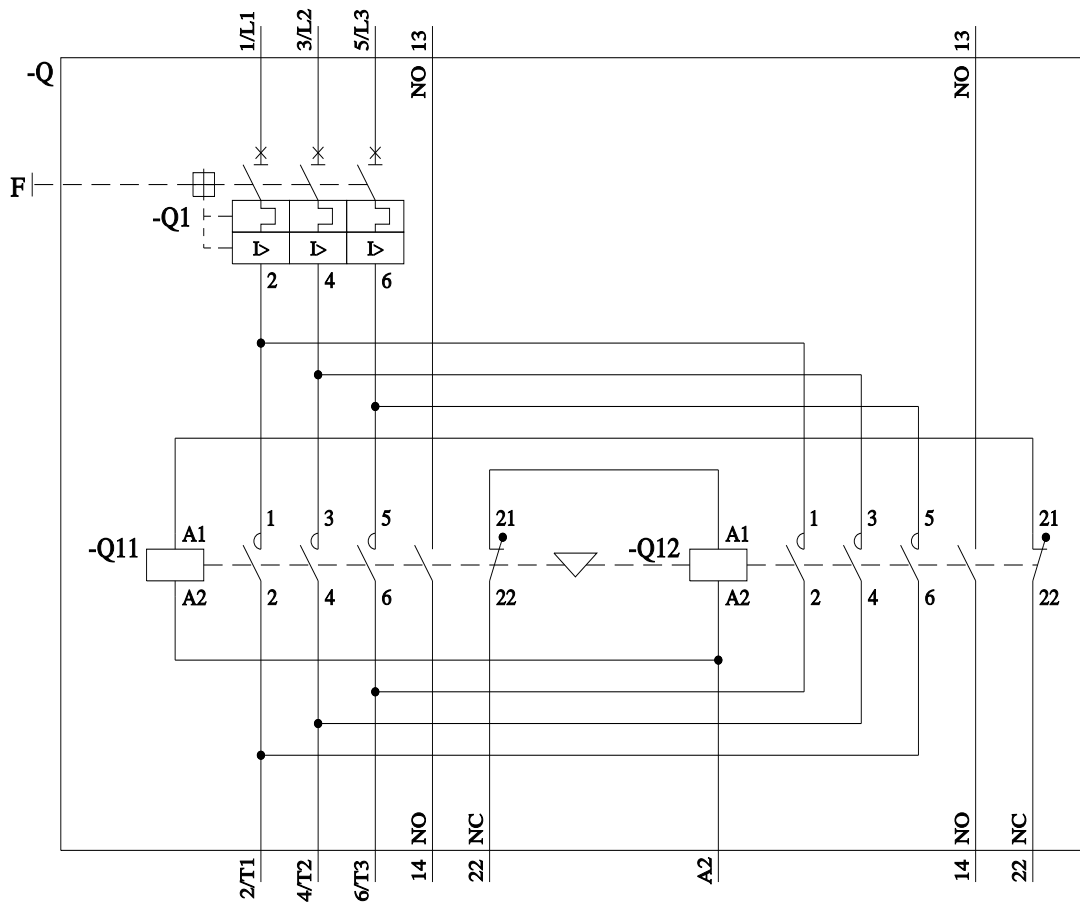
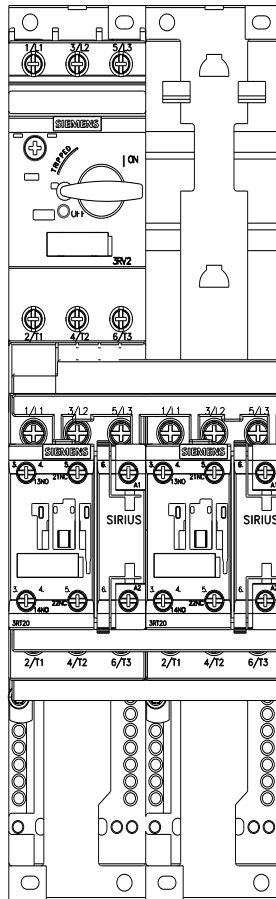
Cax online generator

<https://support.automation.siemens.com/WW/CAXorder/default.aspx?lang=en&mlfb=3RA2220-0HB23-0AK6>

Characteristic curves

[https://curves.simaris.siemens.com/curves/<mmp\\_prod\\_noCOMP="HAUPT"></mmp\\_prod\\_no>](https://curves.simaris.siemens.com/curves/<mmp_prod_noCOMP=)





last modified:

4/4/2026