

Product datasheet

Specifications



S-Panel PC Performance HDD W19 DC Windows 10

HMIPSPH952D1801

ⓘ Discontinued

Disclaimer: This documentation is not intended as a substitute for and is not to be used for determining suitability or reliability of these products for specific user applications



Environmental Data

Schneider Electric aims to achieve Net Zero status by 2050 through supply chain partnerships, lower impact materials, and circularity via our ongoing “Use Better, Use Longer, Use Again” campaign to extend product lifetimes and recyclability.

[Environmental Data explained >](#)

[How we assess product sustainability >](#)

Use Longer



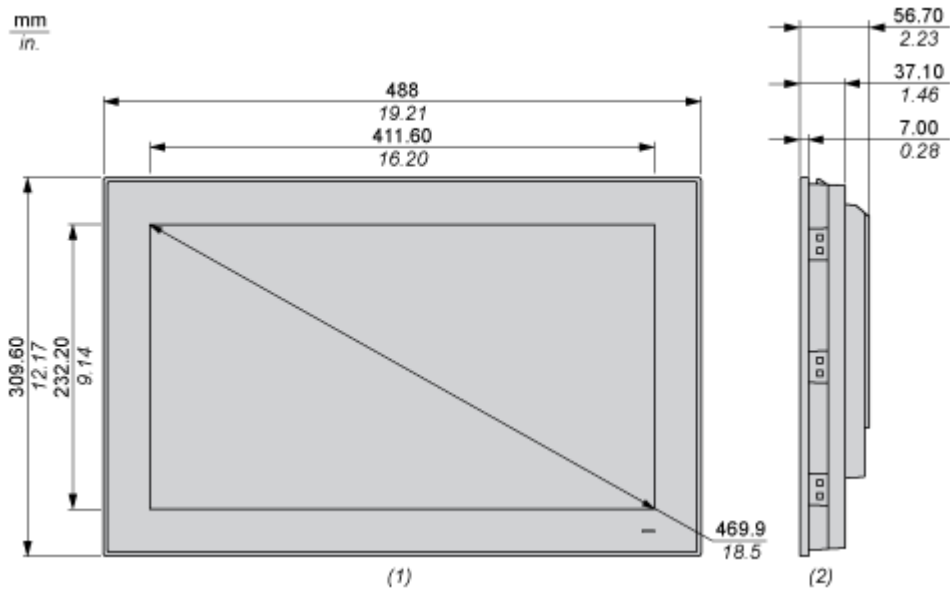
Lifetime extension

Repair

No

Dimensions Drawings

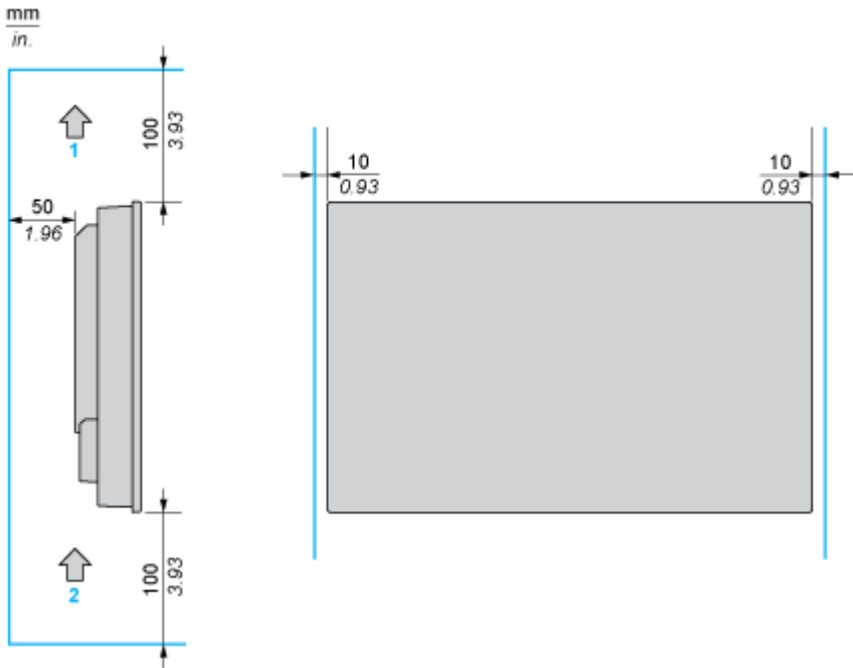
Dimensions



- (1) Front view
- (2) Side view

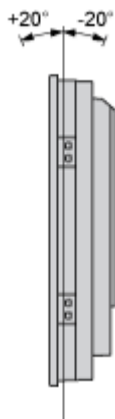
Mounting and Clearance

Spacing Requirements

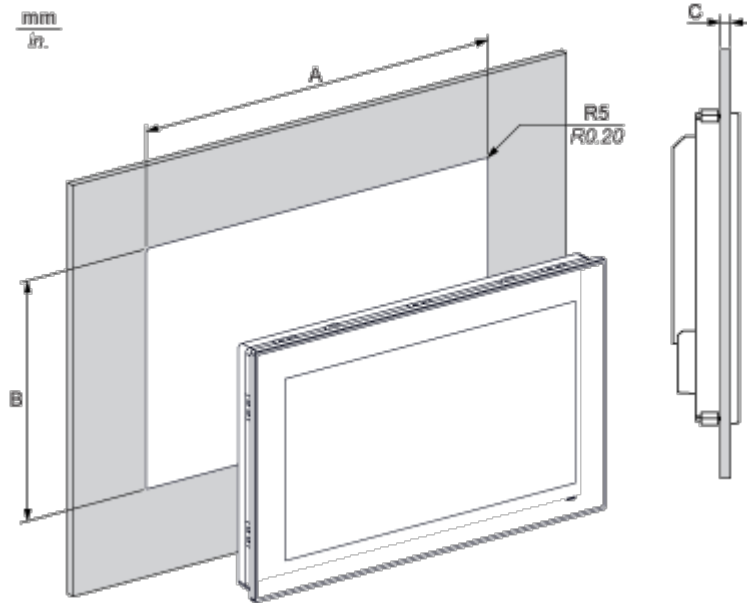


- (1) Air out
- (2) Air in

Mounting Orientation



Panel Cut Dimensions



A	B	C	R
479.3 ±1 mm (18.87 ±0.04 in)	300.3 ±0.7 mm (11.82 ±0.03 in)	2...6 mm (0.08...0.23 in)	5 mm (0.20 in)