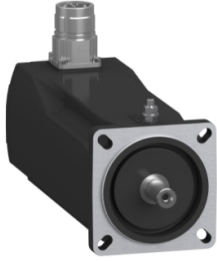


# Product data sheet

Specifications



## SH3 OMC motor 70mm 1 st. IP65/65 smooth sh. DSL multi turn str. conn.M23 brake

SH30701P0BF3100

⚠ Discontinued on: Oct 9, 2023

⚠ Discontinued

**Product availability: Non-Stock - Not normally stocked in distribution facility**

### Main

Range Compatibility	PacDrive 3
Device short name	SH3
Product or Component Type	Servo motor

### Complementary

Maximum mechanical speed	8000 rpm
[Us] rated supply voltage	115...480 V
Phase	Three phase
Continuous stall current	1.8 A
Continuous stall torque	11.06 lbf.in (1.25 N.m) 115...480 V three phase
Continuous power	690 W
Peak stall torque	31.0 lbf.in (3.5 N.m) 115...480 V three phase
Nominal output power	370 W 230 V single phase 690 W 400 V three phase 690 W 480 V three phase
Nominal torque	12.4 lbf.in (1.4 N.m) 230 V single phase 9.7 lbf.in (1.1 N.m) 400 V three phase 9.7 lbf.in (1.1 N.m) 480 V three phase
Nominal speed	3000 rpm 230 V single phase 6000 rpm 400 V three phase 7200 rpm 480 V three phase
Maximum current Irms	5.7 A
Shaft end	Smooth shaft
Shaft diameter	0.4 in (11 mm)
Shaft length	0.9 in (23 mm)
IP degree of protection	IP65 motor: conforming to IEC 60034-5 IP65 shaft bushing: conforming to IEC 60034-5
Encoder type	Absolute multiturn Hiperface DSL
Speed feedback resolution	262144 points/turn x 4096 turns
Holding brake	With
Holding torque	26.6 lbf.in (3 N.m)
Mounting Support	International standard flange
Motor flange size	2.8 in (70 mm)

Price is "List Price" and may be subject to a trade discount – check with your local distributor or retailer for actual price.

<b>Electrical Connection</b>	Rotatable right angled connector
<b>Torque constant</b>	0.69 N.m/A 248 °F (120 °C)
<b>Back emf constant</b>	46 V/krpm 68 °F (20 °C)
<b>Number of motor poles</b>	3
<b>Rotor inertia</b>	0.322 kg.cm <sup>2</sup>
<b>Stator resistance</b>	10.4 Ohm
<b>Stator inductance</b>	42.6 mH
<b>Maximum radial force Fr</b>	900 N 1000 rpm
<b>Maximum axial force Fa</b>	160 N
<b>Brake pull-in power</b>	7 W
<b>Type of cooling</b>	Natural convection
<b>Length</b>	7.09 in (180 mm)
<b>Centring collar diameter</b>	2.4 in (60 mm)
<b>Centring collar depth</b>	0.10 in (2.5 mm)
<b>Number of mounting holes</b>	4
<b>Mounting holes diameter</b>	0.2 in (5.5 mm)
<b>Circle diameter of the mounting holes</b>	3.2 in (82 mm)
<b>Net Weight</b>	5.5 lb(US) (2.5 kg)
<b>Sizing reference</b>	SH30701P
<b>Network number of phases</b>	3
<b>Temperature copper hot</b>	266 °F (130 °C)
<b>Electrical connection</b>	quicklock straight connector

## Ordering and shipping details

<b>Category</b>	US1PC5218359
<b>Discount Schedule</b>	PC52
<b>GTIN</b>	3606481802842
<b>Returnability</b>	No

## Packing Units

<b>Unit Type of Package 1</b>	PCE
<b>Nbr. of units in pkg.</b>	1
<b>Package 1 Height</b>	4.5 in (11.5 cm)
<b>Package 1 Width</b>	7.5 in (19.0 cm)
<b>Package 1 Length</b>	15.6 in (39.5 cm)
<b>Package weight(Lbs)</b>	6.4 lb(US) (2.9 kg)

## Contractual warranty

<b>Warranty (in months)</b>	18
-----------------------------	----



## Environmental Data

Schneider Electric aims to achieve Net Zero status by 2050 through supply chain partnerships, lower impact materials, and circularity via our ongoing “Use Better, Use Longer, Use Again” campaign to extend product lifetimes and recyclability.

[Environmental Data explained >](#)

[How we assess product sustainability >](#)

### Use Better



#### Materials and Substances

[EU RoHS Directive](#)

Pro-active compliance (Product out of EU RoHS legal scope)

California proposition 65

WARNING: This product can expose you to chemicals including: Lead and lead compounds, which is known to the State of California to cause cancer and birth defects or other reproductive harm. For more information go to [www.P65Warnings.ca.gov](http://www.P65Warnings.ca.gov)

PVC free

Yes

### Use Longer



#### Lifetime extension

Repair

No

### Use Again



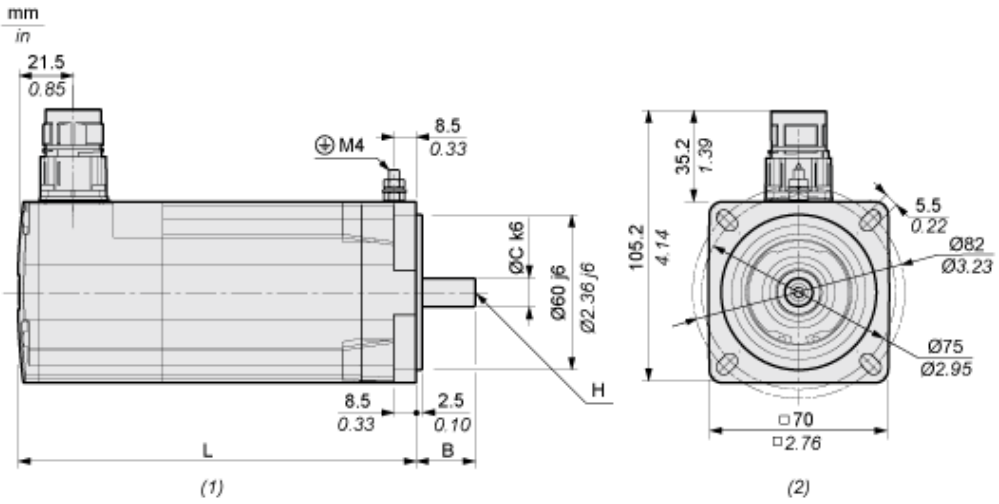
#### Repack and remanufacture

Circularity Profile

No need of specific recycling operations

Dimensions Drawings

Dimensions



- (1) : Side view
- (2) : Mounting

Characteristic	Unit	Value
L	Length with holding brake	mm (in) 180 (7.09)
B	Shaft length	mm (in) 23 (0.91)
C	Shaft diameter	mm (in) 11 (0.43)
H	Female thread of shaft	DIN 332-D M4