



SIMATIC S7-1200, DCM 1271 Data decoupling module for AS-i
 Master CM 1243-2 IN: 24 V / 30 V DC OUT: 1x AS-Interface, 4 A
 Integrated overload protection integr. ground fault detection
 Signaling contact

General technical data		
product brand name		SIMATIC
product designation		AS-Interface data decoupling unit
design of the product		Communication module 30 mm for SIMATIC S7-1200
protection class IP		IP20
installation altitude at height above sea level maximum	m	2 000
ambient temperature		
• during operation	°C	0 ... 55
• during storage	°C	-40 ... +70
relative humidity at 25 °C during operation maximum	%	95
reference code according to DIN 40719 extended according to IEC 204-2 according to IEC 750		A
reference code according to EN 61346-2		A
supplied active power	W	120
product function		
• auto-RESET		Yes
• external reset		No
• manual RESET		No
• ground fault detection		Yes
• test function of signaling contacts		No
• suitable for grounded AS-i networks		Yes
• adapted for non-grounded AS-i networks		Yes
• suitable for AS-i Power24V		Yes
• sequential connected time-delay		No
• AS-Interface data decoupling		Yes
reset function		No
adjustable current response value current of the current-dependent overload release	A	4
number of electrical connections for signaling contact		3
number of outputs for AS-Interface maximum		1
display version as status display by LED		EFD, ASI OL, DIAG
design of the switching contact as NO contact for signaling function		No
Communication/ Protocol		
protocol is supported AS-Interface protocol		Yes
Auxiliary circuit		
operational current of auxiliary contacts		
• at DC-13 at 24 V	A	0.05
Inputs/ Outputs		
type of voltage		

• of the input voltages		DC
• of the input voltage		DC
property of the output short-circuit proof		Yes
output voltage		
• 1 at DC rated value	V	30
—	V	20.5 ... 31.6
• 2 at DC rated value	V	24
output current at DC maximum	A	4
input voltage		
• 1 at DC rated value	V	30
—	V	21 ... 32
• 2 at DC rated value	V	24
input current at DC maximum	A	4.1

Short-circuit protection

design of short-circuit protection		electronic
---	--	------------

Installation/ mounting/ dimensions

mounting position		vertical, horizontal
fastening method		35-mm DIN rail mounting or wall mounting with plug-in flaps
width	mm	30
height	mm	100
depth	mm	75
type of electrical connection for auxiliary and control circuit		screw-type terminals
product component removable terminal for auxiliary and control circuit		Yes
type of connectable conductor cross-sections		
• for auxiliary contacts		
— solid		3x (0.2 ... 3.3 mm ²)
— finely stranded		
— with core end processing		3x (0.2 ... 3.3 mm ²)
• for AWG cables for auxiliary contacts		3x (24 ... 16)
certificate of suitability		CE / cULus / FM / ATEX
suitability for use safety-related circuits		No

Certificates/ approvals

General Product Approval	EMV
---------------------------------	-----

[FM](#)



For use in hazardous locations Test Certificates

[CCC-Ex](#)



[Miscellaneous](#)



[Special Test Certificate](#)

Maritime application other Environment



[Confirmation](#)



[Environmental Confirmations](#)

Further information

Information on the packaging
<https://support.industry.siemens.com/cs/ww/en/view/109813875>
 Information for data generation and storage

<https://support.industry.siemens.com/cs/ww/en/view/109995012>

Information- and Downloadcenter (Catalogs, Brochures,...)

<https://www.siemens.com/ic10>

Industry Mall (Online ordering system)

<https://mall.industry.siemens.com/mall/en/en/Catalog/product?mlfb=3RK7271-1AA30-0AA0>

Cax online generator

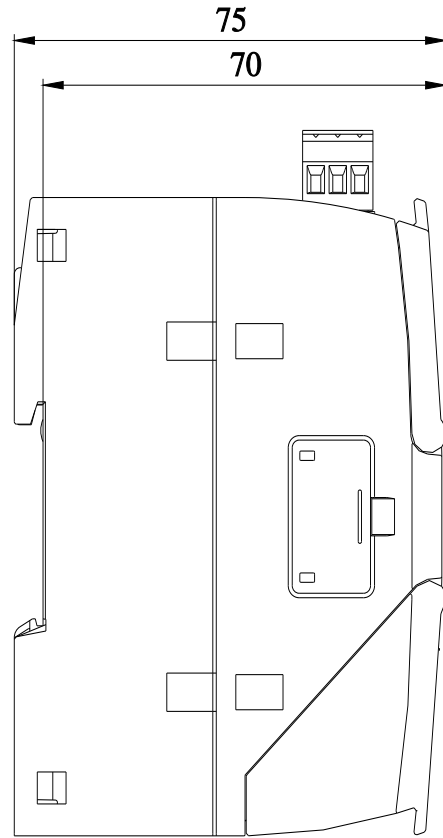
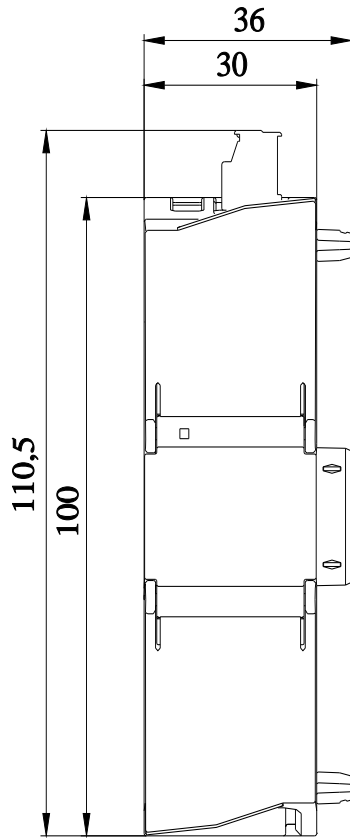
<https://support.automation.siemens.com/WW/CAXorder/default.aspx?lang=en&mlfb=3RK7271-1AA30-0AA0>

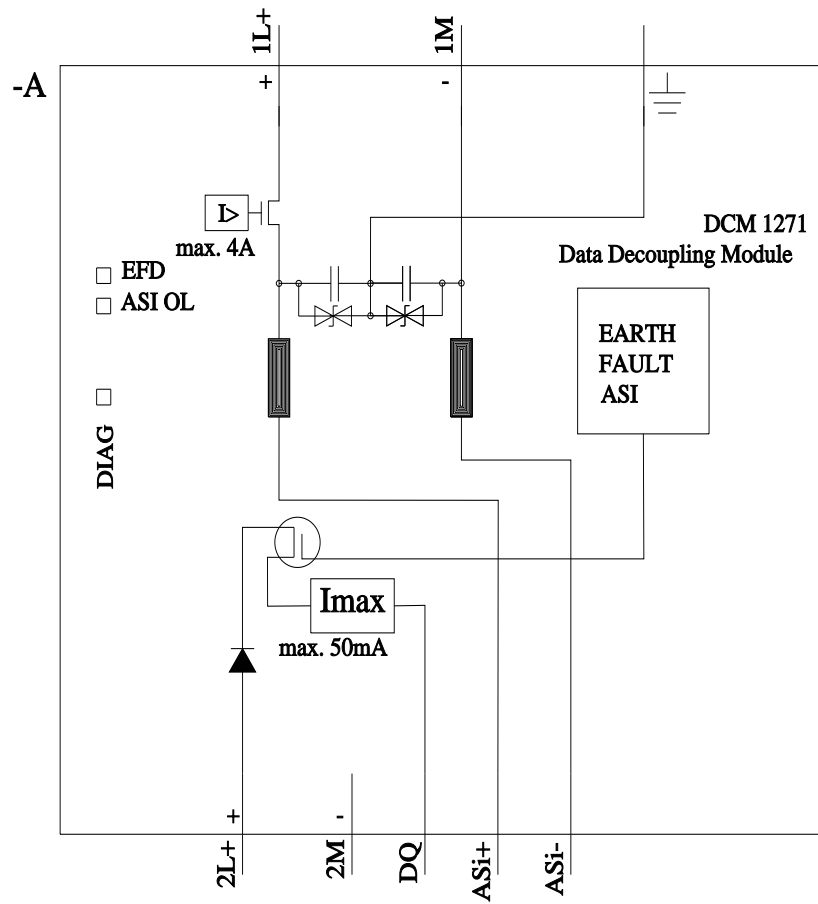
Service&Support (Manuals, Certificates, Characteristics, FAQs,...)

<https://support.industry.siemens.com/cs/ww/en/ps/3RK7271-1AA30-0AA0>

Image database (product images, 2D dimension drawings, 3D models, device circuit diagrams, EPLAN macros, ...)

https://www.automation.siemens.com/bilddb/cax_de.aspx?mlfb=3RK7271-1AA30-0AA0&lang=en





last modified:

10/22/2025 