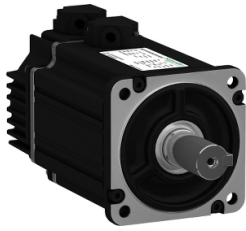


# Product datasheet

Specifications



servo motor BCH16, Lexium 16D,  
80mm, 750W, Heavy inertia,  
3000rpm

BCH16HF07330A5C

⚠ Discontinued on: 22 Apr 2021

⚠ Discontinued

## Main

Range compatibility	Easy Lexium 16
Device short name	BCH16
Product or component type	Servo motor

## Complementary

Maximum mechanical speed	5000 rpm
[Us] rated supply voltage	220 V
Network number of phases	3 phases
Continuous stall current	4.3 A
Continuous stall torque	2.39 N.m for LXM16D at 7.81 A, 220 V, single phase
Continuous power	750 W
Peak stall torque	7.16 N.m for LXM16D at 7.81 A, 220 V, single phase
Nominal output power	750 W for LXM16D at 7.81 A, 220 V, single phase
Nominal torque	2.39 N.m for LXM16D at 7.81 A, 220 V, single phase
Nominal speed	3000 rpm for LXM16D at 7.81 A, 220 V, single phase
Maximum current Irms	15.3 A for LXM16D at 0.75 kW, 220 V
Maximum permanent current	14 A
Product compatibility	LXM16D motion servo motors motor at 0.75 kW, 220 V, single phase
Shaft end	Parallel key
Second shaft	Without second shaft end
Shaft diameter	19 mm
Shaft length	28 mm
Key width	6 mm
Feedback type	2500 incremental encoder
Holding brake	Without
Holding torque	3.0 N.m
Mounting support	Asian standard flange
Motor flange size	80 mm
Electrical connection	Free lead
Torque constant	0.56 N.m/A at 20 °C

<b>Back emf constant</b>	37.3 V/krpm at 20 °C
<b>Rotor inertia</b>	1.51 kg.cm <sup>2</sup>
<b>Stator resistance</b>	1.58 Ohm at 20 °C
<b>Stator inductance</b>	9.2 mH at 20 °C
<b>Stator electrical time constant</b>	5.82 ms at 20 °C
<b>Maximum radial force Fr</b>	221.48 N at 3000 rpm
<b>Maximum axial force Fa</b>	61.74 N
<b>Type of cooling</b>	Natural convection
<b>Length</b>	137 mm
<b>Centring collar diameter</b>	70 mm
<b>Centring collar depth</b>	3 mm
<b>Number of mounting holes</b>	4
<b>Mounting holes diameter</b>	6.5 mm
<b>Circle diameter of the mounting holes</b>	90 mm
<b>Distance shaft shoulder-flange</b>	36 mm
<b>Width</b>	80 mm
<b>Height</b>	93 mm
<b>Depth</b>	137 mm
<b>Net weight</b>	2.7 kg

## Environment

<b>IP degree of protection</b>	IP65 IM B5, IM V1 IP65 IM V3
<b>Ambient air temperature for operation</b>	0...40 °C

## Packing Units

<b>Unit Type of Package 1</b>	PCE
<b>Number of Units in Package 1</b>	1
<b>Package 1 Height</b>	17.0 cm
<b>Package 1 Width</b>	27.5 cm
<b>Package 1 Length</b>	13.5 cm
<b>Package 1 Weight</b>	2.85 kg
<b>Unit Type of Package 2</b>	S04
<b>Number of Units in Package 2</b>	8
<b>Package 2 Height</b>	30.0 cm
<b>Package 2 Width</b>	40.0 cm
<b>Package 2 Length</b>	60.0 cm
<b>Package 2 Weight</b>	22.8 kg



## Environmental Data

Schneider Electric aims to achieve Net Zero status by 2050 through supply chain partnerships, lower impact materials, and circularity via our ongoing “Use Better, Use Longer, Use Again” campaign to extend product lifetimes and recyclability.

[Environmental Data explained >](#)

[How we assess product sustainability >](#)



### Environmental footprint

Environmental Disclosure

[Product Environmental Profile](#)

## Use Better



### Materials and Substances

EU RoHS Directive

[Compliant By Exemption](#)

## Use Longer



### Lifetime extension

Repair

No

## Use Again



### Repack and remanufacture

End of life manual availability

[End of Life Information](#)

WEEE Label

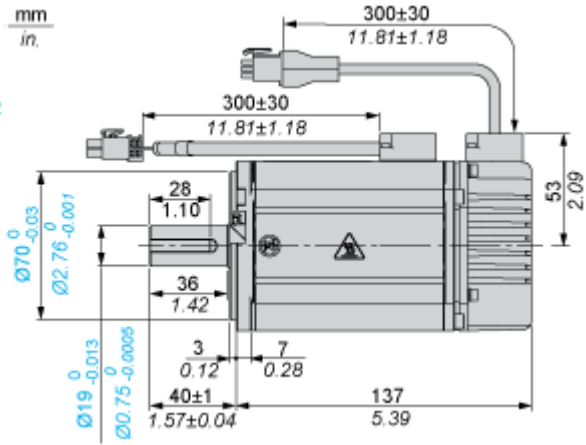
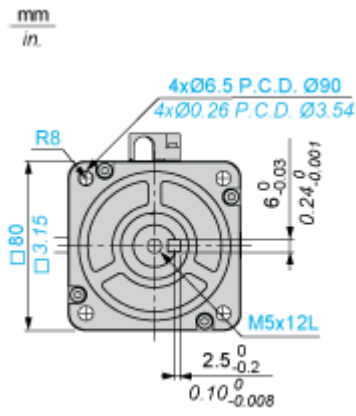


The product must be disposed on European Union markets following specific waste collection and never end up in rubbish bins

Dimensions Drawings

Motor Dimension

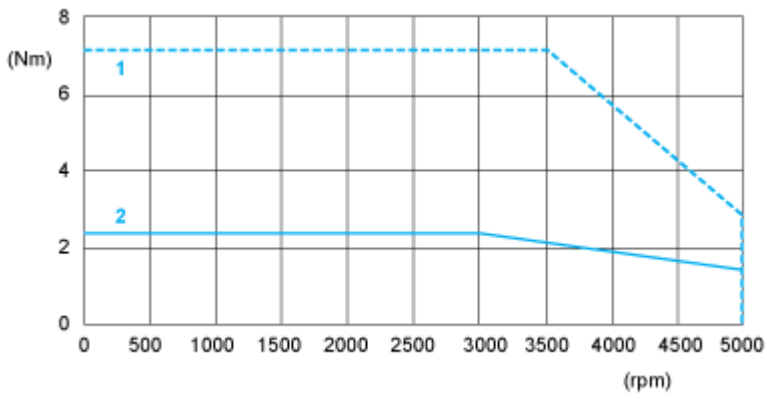
Front and Left Views



Performance Curves

Torque/Speed Curves with 220 V Single Phase Supply Voltage

---



- 1 : Peak torque
- 2 : Continuous torque