

Product datasheet

Specifications



switch disconnecter EasyPact Vigi CVS400NA, 4 poles, 400 A, AC22A, AC23A

LV540403

⚠ Discontinued on: 31 Jul 2022

⚠ End-of-service on: 31 Mar 2025

⚠ Discontinued

Main

Range of product	EasyPact CVS400...630
Range	EasyPact
Product name	EasyPact CVS
Device short name	Vigi CVS400NA
Product or component type	Earth leakage switch disconnecter
Device application	Distribution
Poles description	4P
Network type	AC
[Ie] rated operational current	AC-22A: 400 A AC 50/60 Hz 220/240 V AC-22A: 400 A AC 50/60 Hz 380/415 V AC-22A: 400 A AC 50/60 Hz 440 V AC-23A: 400 A AC 50/60 Hz 220/240 V AC-23A: 400 A AC 50/60 Hz 380/415 V AC-23A: 400 A AC 50/60 Hz 440 V
[Ith] conventional free air thermal current	400 A at 50 °C
[Icm] rated short-circuit making capacity	105 kA with upstream protection circuit breaker 7.1 kA switch-disconnector alone
Breaking capacity code	NA
Suitability for isolation	Yes conforming to EN 60947-3 Yes conforming to IEC 60947-3
Utilisation category	AC-23A AC-22A
Earth-leakage add-on module name	MH
Earth-leakage protection	With

Complementary

Network frequency	50/60 Hz
Control type	Toggle
Mounting mode	Fixed
Mounting support	Backplate
Upside connection	Front
Downside connection	Front
[Icw] rated short-time withstand current	5 kA during 1 s conforming to IEC 60947-3 5 kA during 3 s conforming to IEC 60947-3 1.93 kA during 20 s conforming to IEC 60947-3

Excluding VAT and subject to change. Please check with your local distributor through "Where to buy"

Contact position indicator	Yes
Visible break	No
Residual earth-leakage sensitivity adjustment type	Adjustable 5 settings
[I Δ n] residual earth-leakage sensitive adjustment	1 A 0.03 A 10 A 0.3 A 3 A
Residual earth-leakage time delay adjustment type	Adjustable 4 settings
[Δ t] residual earth-leakage time delay adjustment	0 ms 150 ms 310 ms 60 ms
Mechanical durability	15000 cycles conforming to IEC 60947-3
Electrical durability	AC-22A: 4000 cycles 415 V AC 50/60 Hz In conforming to IEC 60947-3 AC-23A: 4000 cycles 415 V AC 50/60 Hz In conforming to IEC 60947-3
Connection pitch	45 mm
Height	355 mm
Width	185 mm
Depth	110 mm

Environment

Standards	IEC 60947-3 EN 60947-3
Product certifications	GOST IEC
Electrical shock protection class	Class II
Pollution degree	3 conforming to IEC 60664-1
Ambient air temperature for operation	-25...70 °C
Ambient air temperature for storage	-50...85 °C

Packing Units

Unit Type of Package 1	PCE
Number of Units in Package 1	1
Package 1 Height	16 cm
Package 1 Width	20 cm
Package 1 Length	37 cm
Package 1 Weight	9.542 kg

Contractual warranty

Warranty (in months)	18
----------------------	----



Environmental Data

Schneider Electric aims to achieve Net Zero status by 2050 through supply chain partnerships, lower impact materials, and circularity via our ongoing “Use Better, Use Longer, Use Again” campaign to extend product lifetimes and recyclability.

[Environmental Data explained >](#)

[How we assess product sustainability >](#)

Use Better



Materials and Substances

[EU RoHS Directive](#)

Compliant

PVC free

Yes

Use Longer



Lifetime extension

Repair

No

Use Again



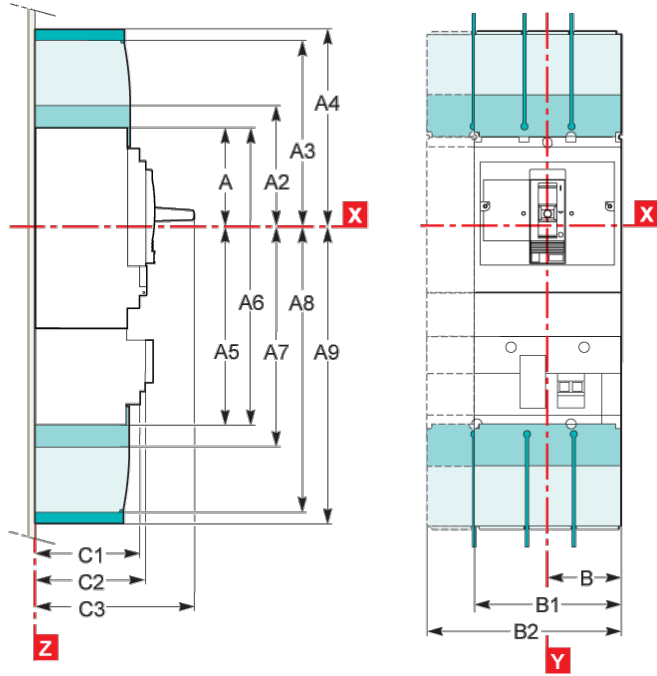
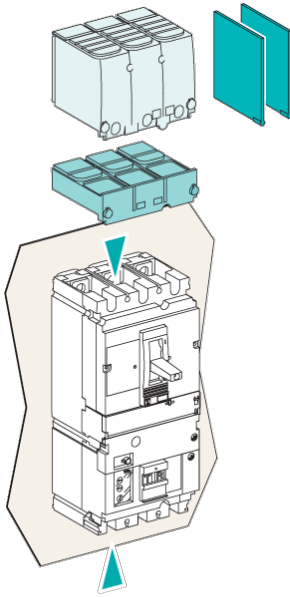
Repack and remanufacture

WEEE Label



The product must be disposed on European Union markets following specific waste collection and never end up in rubbish bins

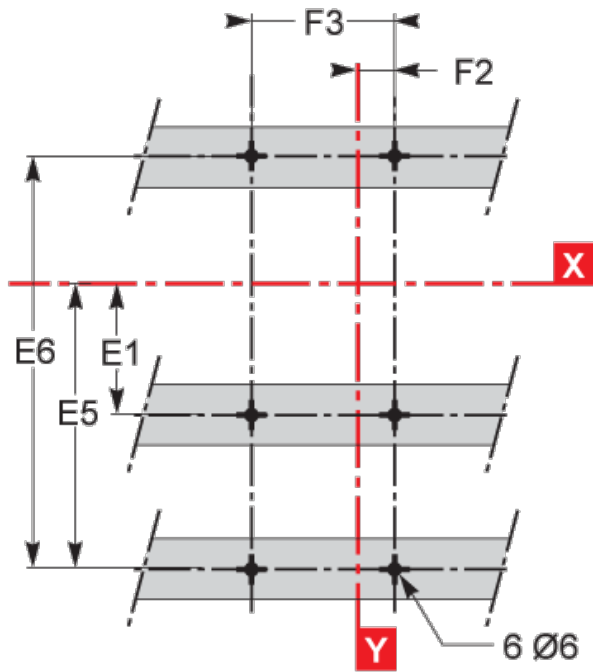
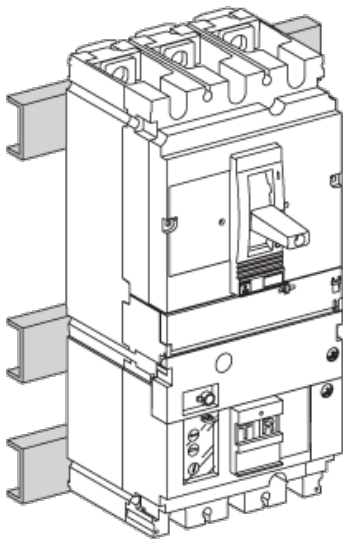
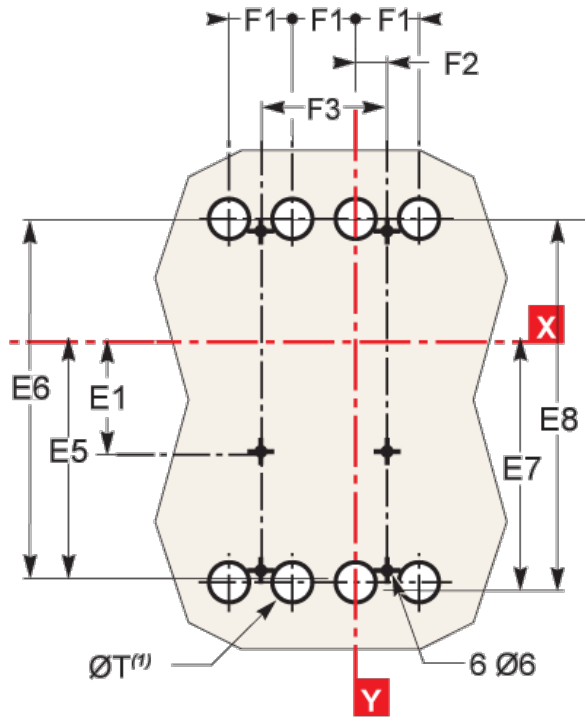
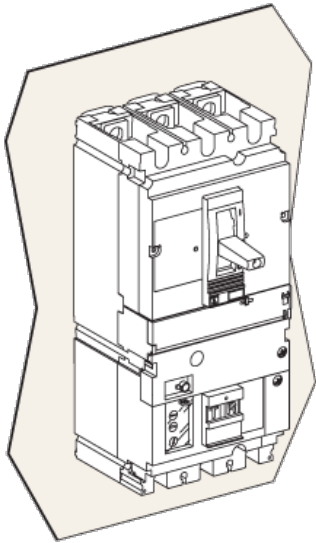
Dimensions Drawings



Type	A	A1	A2	A3	A4	A5	A6	A7	A8	A9	B	B1	B2	C1	C2	C3	E1
CVS100/160/250	80.5	161	94	145	178.5	155.5	236	169	220	253.5	52.5	105	140	81	86	111 ⁽²⁾	62.5
CVS400/630	127.5	255	142.5	200	237	227.5	355	242.5	300	337	70	140	185	95.5	110	168	100
Type	E2	E3	E4	E5	E6	E7	E8	F1	F2	F3	G1	G2	G3	G4	G5	ØT	U
CVS100/160/250	125	70	140	137.5	200	145	215	35	17.5	70	95	75	13.5	23	17.5	24	y 32
CVS400/630	200	113.5	227	200	300	213.5	327	45	22.5	90	-	-	-	-	32	y 35	

(2) C3=126mm for EasyPact CVS250B/F.

Assembly



Type	A	A1	A2	A3	A4	A5	A6	A7	A8	A9	B	B1	B2	C1	C2	C3	E1
CVS100/160/250	80.5	161	94	145	178.5	155.5	236	169	220	253.5	52.5	105	140	81	86	111 ⁽²⁾	62.5
CVS400/630	127.5	255	142.5	200	237	227.5	355	242.5	300	337	70	140	185	95.5	110	168	100
Type	E2	E3	E4	E5	E6	E7	E8	F1	F2	F3	G1	G2	G3	G4	G5	ØT	U
CVS100/160/250	125	70	140	137.5	200	145	215	35	17.5	70	95	75	13.5	23	17.5	24	y 32
CVS400/630	200	113.5	227	200	300	213.5	327	45	22.5	90	-	-	-	-	-	32	y 35

(2) C3=126mm for EasyPact CVS250B/F.