



Contactor 400...440 V 60 HZ AC3 4 kW 400 V AUX contacts: 1 NC 3-pole, size S00 screw terminal

| | |
|--|------------------------------|
| product brand name | SIRIUS |
| product designation | Power contactor |
| product type designation | 3RT6 |
| General technical data | |
| size of contactor | S00 |
| product extension auxiliary switch | Yes |
| power loss [W] for rated value of the current | |
| • at AC in hot operating state per pole | 0.7 W |
| • without load current share typical | 1.05 W |
| type of calculation of power loss current-dependent | quadratic |
| insulation voltage rated value | 690 V |
| degree of pollution | 3 |
| surge voltage resistance rated value | 6 kV |
| maximum permissible voltage for protective separation between coil and main contacts according to EN 60947-1 | 400 V |
| shock resistance at rectangular impulse | |
| • at AC | 6,7 g / 5 ms, 4,2 g / 10 ms |
| shock resistance with sine pulse | |
| • at AC | 10,5 g / 5 ms, 6,6 g / 10 ms |
| mechanical service life (operating cycles) | |
| • of contactor typical | 30 000 000 |
| • of the contactor with added auxiliary switch block typical | 10 000 000 |
| Substance Prohibition (day/month/year) | 05/01/2012 |
| Net Weight | 0.22 kg |
| Ambient conditions | |
| installation altitude at height above sea level maximum | 2 000 m |
| ambient temperature | |
| • during operation | -25 ... +60 °C |
| • during storage | -55 ... +80 °C |
| Main circuit | |
| number of poles for main current circuit | 3 |
| number of NO contacts for main contacts | 3 |
| number of NC contacts for main contacts | 0 |
| operating voltage | |
| • at AC-3 rated value maximum | 690 V |
| • at AC-3e rated value maximum | 690 V |
| operational current | |
| • at AC-1 up to 690 V | |
| — at ambient temperature 40 °C rated value | 22 A |

| | |
|---|--|
| <ul style="list-style-type: none"> — at ambient temperature 60 °C rated value | 20 A |
| <ul style="list-style-type: none"> ● at AC-3 <ul style="list-style-type: none"> — at 400 V rated value — at 690 V rated value | 9 A 6.7 A |
| <ul style="list-style-type: none"> ● at AC-3e <ul style="list-style-type: none"> — at 400 V rated value — at 690 V rated value | 9 A 6.7 A |
| connectable conductor cross-section in main circuit at AC-1 | |
| <ul style="list-style-type: none"> ● at 60 °C minimum permissible ● at 40 °C minimum permissible | 2.5 mm ² 4 mm ² |
| operational current for approx. 200000 operating cycles at AC-4 | |
| <ul style="list-style-type: none"> ● at 400 V rated value ● at 690 V rated value | 4.1 A 3.3 A |
| operating power | |
| <ul style="list-style-type: none"> ● at AC-1 <ul style="list-style-type: none"> — at 230 V rated value — at 230 V at 60 °C rated value — at 400 V at 60 °C rated value — at 690 V at 60 °C rated value ● at AC-3 <ul style="list-style-type: none"> — at 230 V rated value — at 400 V rated value — at 690 V rated value ● at AC-3e <ul style="list-style-type: none"> — at 230 V rated value — at 400 V rated value — at 690 V rated value | 7.5 kW 7.5 kW 13 kW 22 kW 2.2 kW 4 kW 5.5 kW 2.2 kW 4 kW 5.5 kW |
| operating power for approx. 200000 operating cycles at AC-4 | |
| <ul style="list-style-type: none"> ● at 400 V rated value ● at 690 V rated value | 2 kW 2.5 kW |
| no-load switching frequency | |
| <ul style="list-style-type: none"> ● at AC | 10 000 1/h |
| operating frequency | |
| <ul style="list-style-type: none"> ● at AC-1 maximum ● at AC-3 maximum ● at AC-3e maximum ● at AC-4 maximum | 1 000 1/h 750 1/h 750 1/h 250 1/h |
| Control circuit/ Control | |
| type of voltage of the control supply voltage | AC |
| control supply voltage at AC | |
| <ul style="list-style-type: none"> ● at 50 Hz rated value ● at 60 Hz rated value | 400 V 440 V |
| operating range factor control supply voltage rated value of magnet coil at AC | |
| <ul style="list-style-type: none"> ● at 50 Hz ● at 60 Hz | 0.8 ... 1.1 0.85 ... 1.1 |
| apparent pick-up power of magnet coil at AC | |
| <ul style="list-style-type: none"> ● at 50 Hz ● at 60 Hz | 27 VA 24.3 VA |
| inductive power factor with closing power of the coil | |
| <ul style="list-style-type: none"> ● at 50 Hz ● at 60 Hz | 0.8 0.75 |
| apparent holding power of magnet coil at AC | |
| <ul style="list-style-type: none"> ● at 50 Hz ● at 60 Hz | 4.2 VA 3.3 VA |
| inductive power factor with the holding power of the coil | |
| <ul style="list-style-type: none"> ● at 50 Hz | 0.25 |

| | |
|---|---|
| <ul style="list-style-type: none"> at 60 Hz | 0.25 |
| Auxiliary circuit | |
| number of NC contacts for auxiliary contacts instantaneous contact | 1 |
| number of NO contacts for auxiliary contacts instantaneous contact | 0 |
| operational current at AC-12 maximum | 10 A |
| operational current at AC-15 | |
| <ul style="list-style-type: none"> at 230 V rated value | 10 A |
| <ul style="list-style-type: none"> at 400 V rated value | 3 A |
| <ul style="list-style-type: none"> at 690 V rated value | 1 A |
| operational current at DC-12 | |
| <ul style="list-style-type: none"> at 24 V rated value | 6 A |
| <ul style="list-style-type: none"> at 110 V rated value | 3 A |
| <ul style="list-style-type: none"> at 220 V rated value | 1 A |
| operational current at DC-13 | |
| <ul style="list-style-type: none"> at 24 V rated value | 6 A |
| <ul style="list-style-type: none"> at 110 V rated value | 1 A |
| <ul style="list-style-type: none"> at 220 V rated value | 0.3 A |
| contact reliability of auxiliary contacts | 1 faulty switching per 100 million (17 V, 1 mA) |
| UL/CSA ratings | |
| yielded mechanical performance [hp] for 3-phase AC motor at 460/480 V rated value | 5 hp |
| Short-circuit protection | |
| design of the fuse link | |
| <ul style="list-style-type: none"> for short-circuit protection of the main circuit <ul style="list-style-type: none"> with type of coordination 1 required with type of coordination 2 required for short-circuit protection of the auxiliary switch required | gL/gG LV HRC 3NA, DIAZED 5SB, NEOZED 5SE: 35 A gL/gG LV HRC 3NA, DIAZED 5SB, NEOZED 5SE: 20 A fuse gL/gG: 10 A |
| Installation/ mounting/ dimensions | |
| mounting position | +/-180° rotation possible on vertical mounting surface; can be tilted forward and backward by +/- 22.5° on vertical mounting surface |
| fastening method side-by-side mounting | Yes |
| fastening method | screw and snap-on mounting onto 35 mm DIN rail according to DIN EN 50022 |
| height | 57.5 mm |
| width | 45 mm |
| depth | 73 mm |
| required spacing | |
| <ul style="list-style-type: none"> with side-by-side mounting <ul style="list-style-type: none"> at the side | 0 mm |
| Connections/ Terminals | |
| type of electrical connection | |
| <ul style="list-style-type: none"> for main current circuit for auxiliary and control circuit | screw-type terminals screw-type terminals |
| type of connectable conductor cross-sections for main contacts | |
| <ul style="list-style-type: none"> solid or stranded finely stranded with core end processing | 2x (0,5 ... 1,5 mm ²), 2x (0,75 ... 2,5 mm ²), 2x 4 mm ² 2x (0.5 ... 1.5 mm ²), 2x (0.75 ... 2.5 mm ²) |
| type of connectable conductor cross-sections | |
| <ul style="list-style-type: none"> for auxiliary contacts <ul style="list-style-type: none"> solid or stranded finely stranded with core end processing for AWG cables for auxiliary contacts | 2x (0.5 ... 1.5 mm ²), 2x (0.75 ... 2.5 mm ²), 2x 4 mm ² 2x (0.5 ... 1.5 mm ²), 2x (0.75 ... 2.5 mm ²) 2x (20 ... 16), 2x (18 ... 14), 2x 12 |
| Safety related data | |
| product function mirror contact according to IEC 60947-4-1 | Yes |
| Electrical Safety | |
| protection class IP on the front according to IEC 60529 | IP20 |
| touch protection on the front according to IEC 60529 | finger-safe, for vertical contact from the front |
| Approvals Certificates | |
| General Product Approval | |



[Confirmation](#)



EG-Konf.

| | | | |
|-----|----------------------|-------|-------------|
| EMV | Maritime application | other | Environment |
|-----|----------------------|-------|-------------|



[CCS \(China Classification Society\)](#)

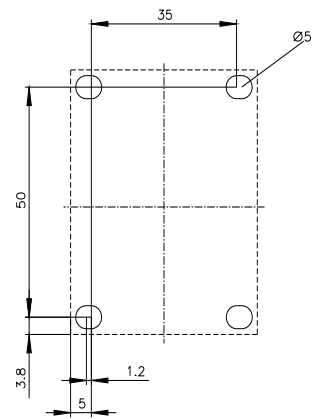
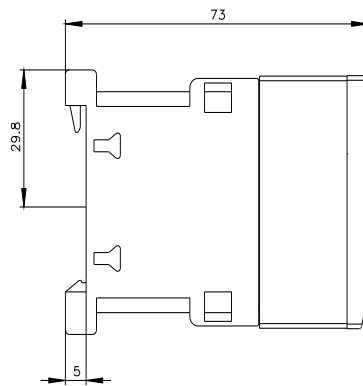
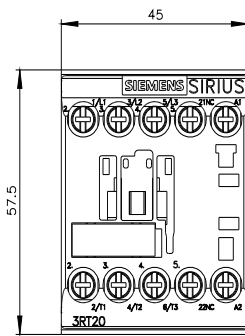
[Confirmation](#)

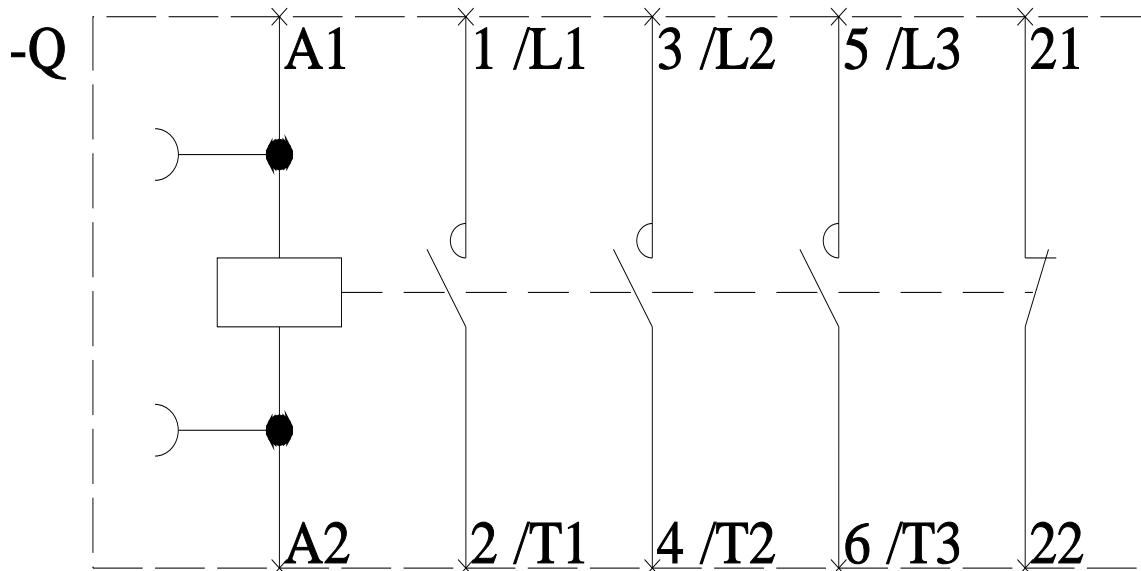


[Environmental Confirmations](#)

Further information

Service&Support (Manuals, Certificates, Characteristics, FAQs,...)
<https://support.industry.siemens.com/cs/products?pnid=16027&lc=en-CN>





last modified:

4/4/2026 