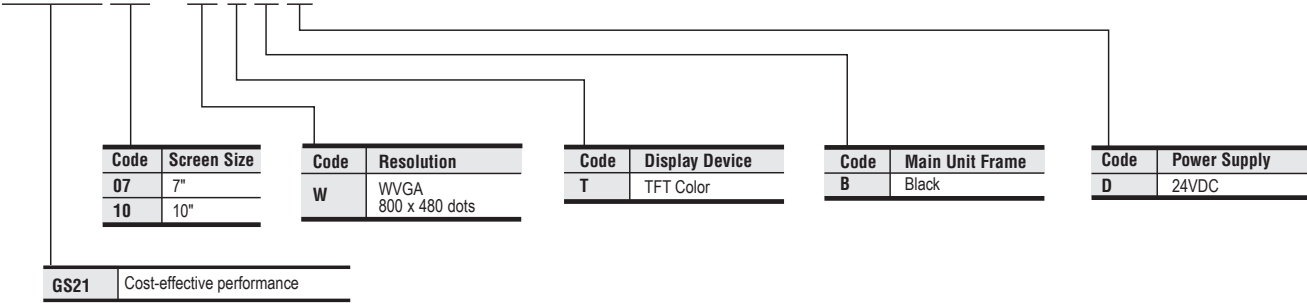


GOT Simple - GS21 Series

GS2107 - WTBD



GS21 General Specifications

Item	Specifications																								
Operating Ambient Temperature	0 to 55°																								
Storage Ambient Temperature	-20 to 60°																								
Operating/Storage Ambient Humidity	10 to 90%RH, non-condensing (The wet bulb temperature is 39°) When the ambient temperature exceeds 40°, maintain the absolute humidity at 40° and 90%																								
Vibration Resistance	<table border="1"> <thead> <tr> <th></th> <th>Conforms to IEC 61131-2</th> <th>Frequency</th> <th>Acceleration</th> <th>Half-Amplitude</th> <th>Sweep Count</th> </tr> </thead> <tbody> <tr> <td rowspan="2">Under intermittent vibration</td> <td rowspan="2"></td> <td>5 to 8.4Hz</td> <td>-</td> <td>3.5mm</td> <td rowspan="2">10 times each in X, Y and Z directions</td> </tr> <tr> <td>8.4 to 150Hz</td> <td>9.8m/s²</td> <td>-</td> </tr> <tr> <td rowspan="2">Under continuous vibration</td> <td rowspan="2"></td> <td>5 to 8.4Hz</td> <td>-</td> <td>1.75mm</td> <td rowspan="2">-</td> </tr> <tr> <td>8.4 to 150Hz</td> <td>4.9m/s²</td> <td>-</td> </tr> </tbody> </table>		Conforms to IEC 61131-2	Frequency	Acceleration	Half-Amplitude	Sweep Count	Under intermittent vibration		5 to 8.4Hz	-	3.5mm	10 times each in X, Y and Z directions	8.4 to 150Hz	9.8m/s ²	-	Under continuous vibration		5 to 8.4Hz	-	1.75mm	-	8.4 to 150Hz	4.9m/s ²	-
	Conforms to IEC 61131-2	Frequency	Acceleration	Half-Amplitude	Sweep Count																				
Under intermittent vibration		5 to 8.4Hz	-	3.5mm	10 times each in X, Y and Z directions																				
		8.4 to 150Hz	9.8m/s ²	-																					
Under continuous vibration		5 to 8.4Hz	-	1.75mm	-																				
		8.4 to 150Hz	4.9m/s ²	-																					
Shock Resistance	Conforms to IEC 61131-2 (147m/s ² , 3 times each in the X, Y, and Z directions)																								
Operating Atmosphere	Must be free of lamp black, corrosive gas, flammable gas, or excessive amount of electro conductive dust particles. Must be no direct sunlight. (Same as for saving)																								
Operating Altitude (*1)	2000m or less																								
Overvoltage Category (*2)	II or less																								
Pollution Degree (*3)	2 or less																								
Cooling Method	Self-cooling																								
Grounding	Type D grounding (100Ω or less). Connect to panel if unable to ground.																								

Notes:

- Do not use or store the GOT under pressures higher than the atmospheric pressure of altitude 0m (0ft). Failure to observe this instruction may cause a malfunction. When the air inside the control panel is purged by pressurization, the surface sheet may be lifted by high pressure. As a result, the touch panel may be difficult to press, and the sheet may be peeled off.
- This indicates the section of the power supply to which the equipment is assumed to be connected between the public electrical power distribution network and the machinery within the premises. Category II applies to equipment for which electrical power is supplied from fixed facilities. The surge voltage withstand level for up to the rated voltage of 300V is 2500V.
- This index indicates the degree to which conductive pollution is generated in the environment where the equipment is used. In pollution degree 2, only non-conductive pollution occurs but temporary conductivity may be produced due to condensation. Do not use or store the GOT under direct sun light or in an environment with excessively high temperature, dust, humidity or vibration. For inquiries relating to the status of conforming to UL, cUL, and CE directives and shipping directives, please contact your local sales office.

GS21 Base Units

Category	Model Number	Screen Size	Display Section	Display Color	Panel Color	Power Supply	Stocked Item
GS21	GS2110	GS2110-WTBD	TFT color	65536 colors	Black	24VDC	S
	GS2107	GS2107-WTBD					7" WVGA

GS21 Power Supply

Model Number	GS2110-WTBD	GS2107-WTBD
Power Supply Voltage	24VDC (+10%, -15%), ripple voltage 200mV or less	
Power Consumption	7.6W (317mA/24V) or less	6.5W (271mA/24V) or less
With Backlight Off	3.8W (158mA/24V) or less	3.8W (158mA/24V) or less
Inrush Current	17A or less (6ms, ambient temperature 25, maximum load)	
Allowable Momentary Power Failure Time	Within 5ms	
Noise Immunity	Conforms to IEC61000-4-4, 2kV (power supply line)	
Withstand Voltage	350VAC for 1 minute between power supply and ground	
Insulation Resistance	10MΩ or higher with an insulation resistance tester (500VDC between power supply terminal and ground)	

GS21 Performance Specifications

Model Number		GS2110-WTBD	GS2107-WTBD
Display Section	Display Device	TFT color LCD	
	Screen Size	10"	7"
	Resolution	800 x 480 dots	
	Display Size (W x H) mm (inch)	222 x 132.5 (8.74 x 5.22) (Horizontal format)	154 x 85.9 (6.06 x 3.38) (Horizontal format)
	Number of Characters	16-dot standard font: 50 chars. x 30 lines (2-byte) (Horizontal format)	
	Display Color	65536 colors	
	Backlight	LED (not replaceable) Backlight off/screen saving time can be set	
Touch Panel	Type	Analog resistive film	
	Key Size	Minimum 2 x 2 dots (per key)	
	Simultaneous Press	Simultaneous press prohibited (only 1 point can be pressed)	
	Life	1 million times (operating force 0.98N or less)	
Memory	C Drive	Flash memory (internal) (9MB), for storing project data, OS Life (No. of writings) 100000 times	
Built-in Interface	RS-422	RS-422, 1ch Transmission speed: 115200/57600/38400/19200/9600/4800bps Connector shape: D-Sub 9pin (female) Application: For communication with controllers Terminating resistor: 330 Ω fixed	
	RS-232	RS-232, 1ch Transmission speed: 115200/57600/38400/19200/9600/4800bps Connector shape: D-Sub 9pin (male) Application: For communication with controllers and a barcode reader For connecting a personal computer (Project data read/write, FA transparent function)	
	Ethernet	Data transfer method: 100BASE-TX, 10BASE-T, 1ch Connector shape: RJ-45 (modular jack) Application: For communication with controllers For connecting a personal computer (Project data read/write, FA transparent function)	
	USB	USB (Full Speed 12Mbps), 1ch Connector shape: Mini-B Application: For connecting a personal computer (Project data read/write, FA transparent function)	
	SD Card	SD compliant, 1ch Supported memory card: SDHC memory card, SD memory card Application: Project data read/write, logging data save	
Buzzer Output		Single tone (LONG/SHORT/OFF adjustable)	
Protective Structure		IP65F (Only the front part of the panel)	
Ext. Dimensions (W x H x D) mm (inch)		272 x 214 x 56 (10.71 x 8.43 x 2.21)	206 x 155 x 50 (8.11 x 6.11 x 1.97)
Weight (Excl. Mounting Brackets) (kg)		1.3	0.9
Compatible Software Package		GT Designer3 Version1.105K or later (*1) (English Version)	

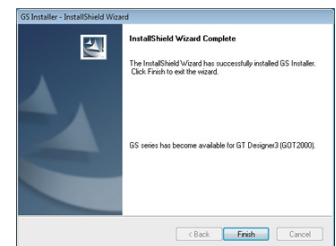
Note 1: Installation of GS installer is required.

GS Installer Installation Procedure

1. Double click the GS Installer (GS Installer.exe) in the folder of GT Works3 Version1.105K or later. Operate the personal computer in accordance with instructions given on the screen.
2. When the completion screen appears, click the [Finish] button to finish installing the GS Installer. [Storage place]

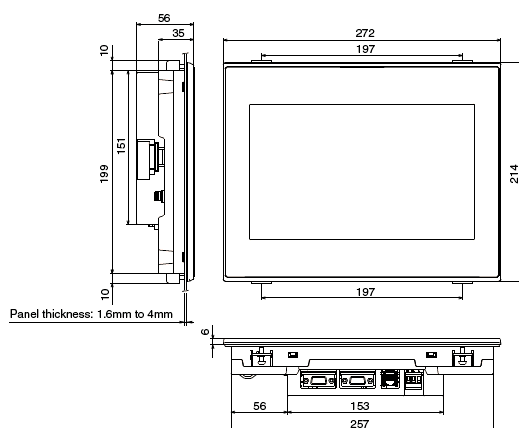
CD-ROM:<Root>\TOOL\GS\GS Installer.exe

DVD-ROM:<Root>\Disk1\TOOL\GS\GS Installer.exe

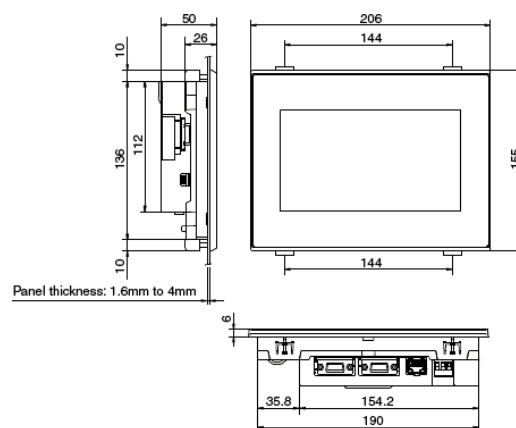


External Dimensions

GS2110-WTBD



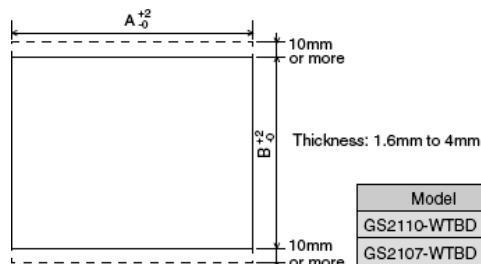
GS2107-WTBD



Panel Cutting Dimensions

Open an installation hole on the control panel with the dimensions as shown below. For the mounting brackets, space of 10mm is required above the top and below the bottom of the hole.

Horizontal format (Rotate the image 90 degree for vertical format)



Cable for Siemens AG PLC

Model Number	Communication Systems	Cable Length	Specifications	Stocked Item
GT09-C30R20801-9S	RS-232	3m	For connecting a SIEMENS HMI Adapter and GO	-

RS-422 Cable

Product Name	Model Number	Cable Length	Recommended Product	Specifications	Stocked Item
QnA/FXCPU Direct Connection Cable Computer Link Connection Cable	GT01-C30R4-25P	3m	-	Between QnA/ACPU/motion controller CPU (A Series)/FXCPU and GOT; Between RS-422 conversion cable (FA-CNV_CBL) and GOT; Between serial communication module and GOT [Between D-sub 25-pin and D-sub 9-pin]	S
	GT01-C100R4-25P	10m			-
	GT01-C200R4-25P	20m			-
	GT01-C300R4-25P	30m			-
Computer Link Connection Cable	GT09-C30R4-6C	3m	X	Between serial communication module and GOT; Between computer link module and GOT [Between loose wire and D-sub 9-pin]	-
	GT09-C100R4-6C	10m			-
	GT09-C200R4-6C	20m			-
	GT09-C300R4-6C	30m			-
FXCPU Direct Connection Cable FXCPU Communication Expansion Board Connection Cable	GT01-C10R4-8P	1m	-	Between FXCPU and GOT; Between FXCPU communication expansion board and GOT [Between MINI-DIN 8-pin connector and D-sub 9-pin]	S
	GT01-C30R4-8P	3m			S
	GT01-C100R4-8P	10m			-
	GT01-C200R4-8P	20m			-
	GT01-C300R4-8P	30m			-

RS-232 Cable

Product Name	Model Number	Cable Length	Recommended Product	Specifications	Stocked Item
Q/LCPU Direct Connection Cable	GT01-C30R2-6P	3m	-	Between Q/LCPU and GOT [Between MINI-DIN 6-pin and D-sub 9-pin]	S
FXCPU Communication Expansion Board Connection Cable FXCPU Communication Special Adapter Connection Cable	GT01-C30R2-9S	3m	-	Between FXCPU communication expansion board and GOT; Between FXCPU communication special adapter and GOT [Between D-sub 9-pin and D-sub 9-pin]	S
FXCPU Communication Special Adapter Connection Cable	GT01-C30R2-25P	3m	-	Between FXCPU communication special adapter and GOT [Between D-sub 25-pin connector and D-sub 9-pin]	-
Computer Link Connection Cable	GT09-C30R2-9P	3m	X	Between serial communication module and GOT Between computer link module and GOT [Between D-sub 9-pin and D-sub 9-pin]	-
	GT09-C30R2-25P	3m	X	Between serial communication module and GOT Between computer link module and GOT [Between D-sub 25-pin and D-sub 9-pin]	-

USB Cable

Product Name	Model Number	Cable Length	Recommended Product	Specifications	Stocked Item
Data Transfer Cable	GT09-C30USB-5P	3m	X	Between personal computer (screen design software) and GOT [Between USB-A and USB Mini-B]	S

Functions

Category	Function Name	Necessary Devices (*1)	GOT2000				GOT SIMPLE	
			GT27	GT25	GT23	GT21	GS21	
Screen Design	Figure/Object Functions	Figure	X	X	X	X	X	
		Logo text	X	X	X	X	X	
		Touch switch	X	X	X	X	X	
		Lamp	X	X	X	X	X	
		Numerical display, Numerical input	X	X	X	X	X	
		Text display, Text input	X	X	X	X	X	
		Date display, Time display	(Battery)	X	X	X	X	X
		Comment display	X	X	X	X	X	
		Parts display	(SD card or USB memory)	X	X	X	X	X
		Parts movement	(SD card or USB memory)	X	X	X	X	X
		Historical data list display	X	X	X	X	X	
		Simple alarm display	X	X	X	X	X	
		System alarm display	X	X	X	-	-	
		Alarm display (user)	(SD card or USB memory, battery)	X	X	X	X	X
		Alarm display (system)	(SD card or USB memory, battery)	X	X	X	-	-
		Level	X	X	X	X	X	
		Panelmeter	X	X	X	X	X	
		Line graph	X	X	X	X	X	
		Trend graph	X	X	X	X	X	
		Bar graph	X	X	X	X	X	
	Statistic bar graph	X	X	X	X	X		
	Statistic pie graph	X	X	X	X	X		
	Scatter graph	X	X	X	X	X		
	Historical trend graph	X	X	X	X	X		
	Slider [Ver. 1.108N or later]	X	X	X	-	-		
	Document display	SD card	X	X	-	-	-	
	Functions Performed on Background of GOT	Logging	(SD card or USB memory, battery)	X	X	X	X	X
		Recipe	(SD card or USB memory)	X	X	X	X	X
		Device data transfer	X	X	X	X	X	
		Trigger action	X	X	X	X	X	
		Time action	(SD card or USB memory)	X	X	X	X	X
		Hard copy	File output	SD card or USB memory	X	X	X	X
Serial printer output [Version 1.105K or later]			X	X	X	X	X	X (*2)
PictBridge printer output [Ver. 1.105K or later]			Printer unit	X	X	-	-	-
Project/screen script		X	X	X	X	X		
Object script		X	X	X	-	-		
Functions Used with Peripheral Devices	Barcode function	X	X	X	X	X		
	RFID function	X	X	X	X (*4)	X (*4)		
	Remote personal computer operation function (Ethernet)	License	X	X	-	-	-	
	Remote personal computer operation function (serial)	RGB input unit or Video/RGB input unit	X	-	-	-	-	
	GOT remote access function (VNC server function)	License	X	X	-	-	-	
	Video display function	Video input unit or Video/RGB input unit	X	-	-	-	-	
	RGB display function	RGB input unit or Video/RGB input unit	X	-	-	-	-	
	Multimedia function	Multimedia unit, CF card	X	-	-	-	-	
	External I/O function	External I/O unit	X	X	-	-	-	
	Operation panel function (Ver. 1.108N or later)	External I/O unit	X	X	-	-	-	
	RGB output function	RGB output unit	X	-	-	-	-	
	Report function	Serial printer output (Ver. 1.105K or later)	X	X	X	X	X	
		PictBridge printer output (Ver. 1.105K or later)	Printer unit	X	X	-	-	-
	Sound output function	Sound output unit	X	X	-	-	-	
	Server function, Client function	X	X	-	-	-		
	Mail send function	X	X	-	-	-		
FTP server function	(SD card or USB memory)	X	X	X	-	-		
File transfer (FTP client) function	SD card or USB memory	X	X	X	-	-		
MES interface function [Ver. 1.108N or later]	License, (SD card)	X	X	-	-	-		

Notes: See notes next page.

Category	Function Name	Necessary Devices (*1)	GOT2000				GOT SIMPLE
			GT27	GT25	GT23	GT21	GS21
GOT Functions	Base screen		X	X	X	X	X
	Overlap window		X	X	X	X	X
	Superimpose window		X	X	X	X	X
	Dialog window		X	X	X	X	X
	Key window		X	X	X	X	X
	Language switching		X	X	X	X	X
	System information		X	X	X	X	X
	Operator authentication	(SD card or USB memory)	X	X	X	X	X
	Operation log	SD card or USB memory	X	X	X	-	-
	Startup logo		X	X	X	X	X
	Kana-kanji conversion (Ver. 1.105K or later)		X	X	-	-	-
	FA transparent		X	X	X	X	X
	SoftGOT-GOT link		X	X	-	-	-
	Backup/Restore	SD card or USB memory	X	X	X	X (*5)	X (*5)
	Multi-channel function		X 4ch (Up to 3 units)	X 4ch (Up to 3 units)	X 2ch (No units can be mounted)	X 2ch (No units can be mounted)	X 2ch (No units can be mounted)
	Station No. switching		X	X	X	X	X
Screen gesture function		X	-	-	-	-	
Object gesture function		X	-	-	-	-	
Vertical display		X	X	X	X	X	
Debug Functions	Device monitor		X	X	X	X	X
	Sequence program monitor (Ladder)	SD card or USB memory	X	X	-	-	-
	Sequence program monitor (SFC)	SD card or USB memory	X	X	-	-	-
	Network monitor		X	X	-	-	-
	Intelligent module monitor		X	X	-	-	-
	Servo amplifier monitor		X	X	-	-	-
	Q motion monitor		X	X	-	-	-
	Motion SFC monitor	SD card or USB memory	X	X	-	-	-
	CNC monitor (Coming soon)		X (*3)	X (*3)	-	-	-
	CNC data I/O (Coming soon)	SD card or USB memory	X (*3)	X (*3)	-	-	-
	CNC machining program edit (Coming soon)		X (*3)	X (*3)	-	-	-
	Log viewer	(SD card or USB memory)	X	X	-	-	-
	MELSEC-FX list editor		X	X	X	-	X
FX ladder monitor		X	X	-	-	-	
MELSEC-L troubleshooting		X	X	-	-	-	

Notes:

1. Necessary units when using GOT2000 or GOT SIMPLE are shown. Parenthesized devices will be required depending on conditions of use.
2. Data is output to the printer that is recognized by the personal computer.
3. Only the GOTs with SVGA or higher resolution are supported.
4. 5V Power supply: Not supported
5. Trigger backup: Not supported