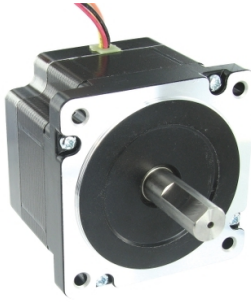


Product data sheet

Specifications



2-phase stepper motor - 4.5 N.m -
shaft $\tilde{\sim}$ 14 mm - L=80mm - without
brake - 6.3A

BRS2852A600

Main

Range compatibility	Lexium SD2
Product or component type	Motion control motor
Device short name	BRS2
Motor type	2-phase stepper motor

Complementary

Maximum mechanical speed	1800 rpm
Supply voltage limits	12...48 V DC
Mounting support	Flange
Motor flange size	3.4 in (86 mm)
Length	3.1 in (80 mm)
Number of motor stacks	2
Centring collar diameter	2.9 in (73 mm)
Centring collar depth	0.08 in (2 mm)
Number of mounting holes	4
Mounting holes diameter	0.2 in (5.5 mm)
Circle diameter of the mounting holes	3.9 in (98.4 mm)
Electrical connection	Flying lead
Holding brake	Without
Shaft end	Smooth shaft
Second shaft	Without second shaft end
Shaft diameter	0.6 in (14 mm)
Shaft length	1.4 in (35 mm)
Holding torque	39.8 lbf.in (4.5 N.m)
Rotor inertia	1.6 kg.cm ²
Resolution	200 steps number of full steps per revolution 1.8 ° step angle
[In] rated current	6.3 A
Resistance	0.35 Ohm winding)

Environment

Ambient air temperature for operation	-13...104 °F (-25...40 °C)
---------------------------------------	----------------------------

Ambient air temperature for storage	-13...158 °F (-25...70 °C)
Operating altitude	<= 1000 m without power derating
Relative humidity	15...85 % without condensation
IP degree of protection	IP20 conforming to IEC/EN 60034-1
Temperature class	B winding IEC/EN 60034-1

Packing Units

Unit Type of Package 1	PCE
Number of Units in Package 1	1
Package 1 Height	4.528 in (11.500 cm)
Package 1 Width	3.465 in (8.800 cm)
Package 1 Length	3.937 in (10.000 cm)
Package 1 Weight	4.780 lb(US) (2.168 kg)
Unit Type of Package 2	BB1
Number of Units in Package 2	3
Package 2 Height	6.496 in (16.500 cm)
Package 2 Width	10.630 in (27.000 cm)
Package 2 Length	15.551 in (39.500 cm)
Package 2 Weight	15.607 lb(US) (7.079 kg)
Unit Type of Package 3	S06
Number of Units in Package 3	24
Package 3 Height	29.528 in (75.000 cm)
Package 3 Width	23.622 in (60.000 cm)
Package 3 Length	31.496 in (80.000 cm)
Package 3 Weight	157.922 lb(US) (71.632 kg)

Contractual warranty

Warranty (in months)	18
-----------------------------	----



Environmental Data

Schneider Electric aims to achieve Net Zero status by 2050 through supply chain partnerships, lower impact materials, and circularity via our ongoing “Use Better, Use Longer, Use Again” campaign to extend product lifetimes and recyclability.

[Environmental Data explained >](#)

[How we assess product sustainability >](#)



Environmental footprint

Total lifecycle Carbon footprint	930 kg CO2 eq.
Carbon footprint of the manufacturing phase [A1 to A3]	8 kg CO2 eq.
Carbon footprint of the distribution phase [A4]	0.3 kg CO2 eq.
Carbon footprint of the installation phase [A5]	0 kg CO2 eq.
Carbon footprint of the use phase [B2, B3, B4, B6]	921 kg CO2 eq.
Carbon footprint of the end-of-life phase [C1 to C4]	0.2 kg CO2 eq.

Use Better



Materials and Substances

Packaging made with recycled cardboard	No
Packaging without single use plastic	No
EU RoHS Directive	Compliant By Exemption
REACH Regulation	Free of Substances of Very High Concern above the threshold
PVC free	Yes

Use Longer



Lifetime extension

Repair	No
--------	----

Use Again

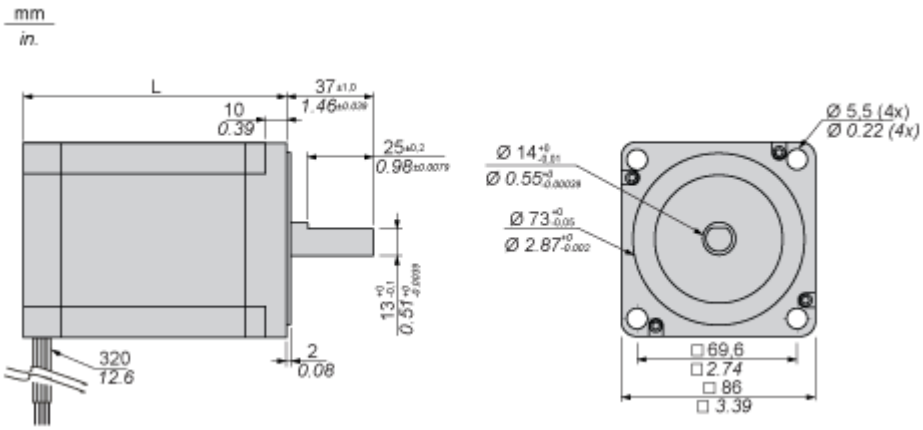


Repack and remanufacture

Take-back	No
-----------	----

Dimensions Drawings

Dimensions



Dimensions in mm

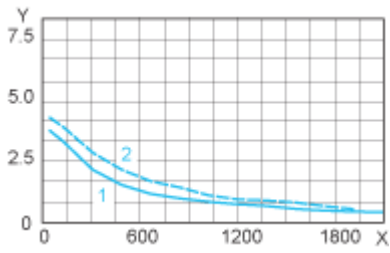
L
80

Dimensions in in.

L
3.15

Performance Curves

Torque Characteristics



X : Speed of rotation in rpm

Y : Torque in Nm

1 : 24 VDC

2 : 48 VDC