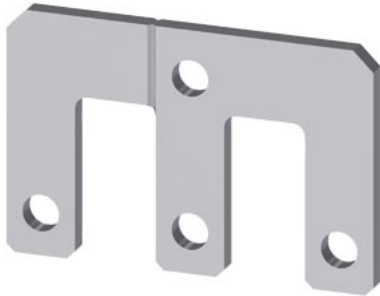


Link for paralleling 3-pole, with bore hole for 3RT1.5



product brand name	SIRIUS
product category	Wiring modules, connectors and kits
product designation	parallel switching connection
design of the product	Parallel switching connection for contactors S6
product type designation	3RT19

General technical data

Substance Prohibitation (Date)	07/01/2006
Net Weight	159 g
number of poles	3

Approvals Certificates

General Product Approval	EMV	Test Certificates
--------------------------	-----	-------------------



[Special Test Certificate](#)

Maritime application	other
----------------------	-------



[Confirmation](#)

[Miscellaneous](#)

Railway	Environment
---------	-------------

[Special Test Certificate](#)

[Environmental Confirmations](#)

Further information

- Information on the packaging
<https://support.industry.siemens.com/cs/ww/en/view/109813875>
- Information for data generation and storage
<https://support.industry.siemens.com/cs/ww/en/view/109995012>
- Information- and Downloadcenter (Catalogs, Brochures,...)
<https://www.siemens.com/ic10>
- Industry Mall (Online ordering system)
<https://mall.industry.siemens.com/mall/en/en/Catalog/product?mlfb=3RT1956-4BA31>
- Cax online generator

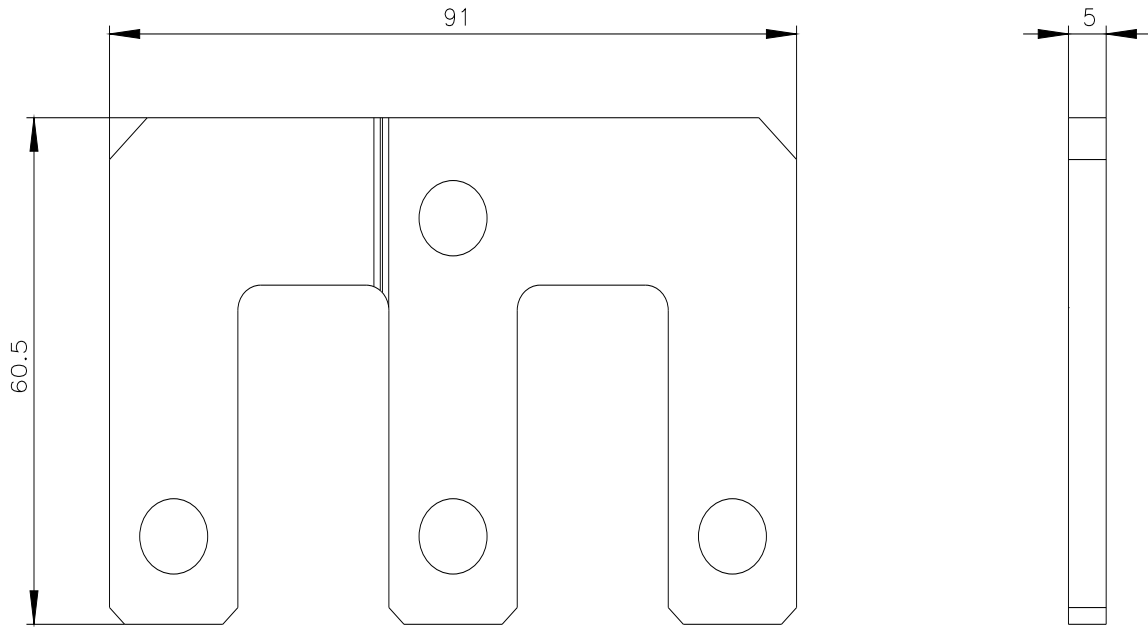
<https://support.automation.siemens.com/WW/CAXorder/default.aspx?lang=en&mlfb=3RT1956-4BA31>

Service&Support (Manuals, Certificates, Characteristics, FAQs,...)

<https://support.industry.siemens.com/cs/ww/en/ps/3RT1956-4BA31>

Image database (product images, 2D dimension drawings, 3D models, device circuit diagrams, EPLAN macros, ...)

https://www.automation.siemens.com/bilddb/cax_de.aspx?mlfb=3RT1956-4BA31&lang=en



last modified:

4/2/2025 