

# Product data sheet

Specifications



## Advanced touchscreen panel, Harmony GTO, 640 x 480 pixels VGA, 7.5", TFT, 96 MB

HMIGTO4310

### Main

|                           |   |
|---------------------------|---|
| Range of product          | Harmony GTO   |
| Product or component type | Advanced touchscreen panel  |
| Display colour            | 65536 colours   |
| Display size              | 7.5 inch  |
| Supply                    | External source   |
| Operating system          | Harmony   |
| Battery type              | Lithium battery for internal RAM, autonomy: 100 days, charging time = 5 day(s), battery life = 10 year(s) |

### Complementary

|                                |  |
|--------------------------------|--|
| Terminal type                  | Touchscreen display  |
| Display type                   | Backlit colour TFT LCD   |
| Display resolution             | 640 x 480 pixels VGA   |
| Touch sensitive zone           | 1024 x 1024  |
| Touch panel                    | Resistive film, 1000000 cycles   |
| Backlight lifespan             | 50000 hours white at 25 °C   |
| Brightness                     | 16 levels - control by touch panel<br>16 levels - control by software  |
| Character font                 | Korean<br>Taiwanese (traditional Chinese)<br>Japanese (ANK, Kanji)<br>ASCII<br>Chinese (simplified Chinese)  |
| [Us] rated supply voltage      | 24 V DC  |
| Supply voltage limits          | 19.2...28.8 V  |
| Inrush current                 | 30 A   |
| Maximum power consumption in W | 8 W when power is not supplied to external devices<br>5 W when backlight is OFF<br>5.5 W when backlight is dimmed<br>12 W  |
| Local signalling               | Status LED green, steady for offline<br>Status LED green, steady for operating<br>Status LED orange, flashing for software starting up<br>Status LED red, steady for power supply (ON)<br>Status LED clear, faded for power supply (OFF)<br>COM2 LED yellow, steady for data is being transmitted<br>COM2 LED yellow, faded for no data transmission<br>SD card LED green, steady for card is inserted<br>SD card LED green, faded for card is not inserted or is not being accessed |

|                                   |  |
|-----------------------------------|--|
| <b>Software designation</b>       | Vijeo Designer configuration software >= V6.1  |
| <b>Memory description</b>         | Flash EPROM, 96 MB   |
| <b>Data backed up</b>             | 512 kB internal RAM (SRAM)   |
| <b>Data storage equipment</b>     | SD card, <= 32 GB<br>SDHC card, <= 32 GB   |
| <b>Downloadable protocols</b>     | Schneider Electric Modicon Modbus<br>Schneider Electric Modicon Uni-TE<br>Schneider Electric Modicon Modbus Plus<br>Schneider Electric Modicon FIPWAY<br>Mitsubishi Melsec third party protocols<br>Omron Sysmac third party protocols<br>Rockwell Automation Allen-Bradley third party protocols<br>Siemens Simatic third party protocols<br>Schneider Electric Modicon Modbus TCP                        |
| <b>Integrated connection type</b> | COM1 serial link SUB-D 9, interface: RS232C, transmission rate: 2400...115200 bps<br>COM2 serial link RJ45, interface: RS485, transmission rate: 2400...115200 bps<br>COM2 serial link RJ45, interface: RS485, transmission rate: 187.5 kbps compatible with Siemens MPI<br>Ethernet RJ45, interface: 10BASE-T/100BASE-TX<br>Ethernet RJ45, interface: IEEE 802.3<br>USB 2.0 type A<br>USB 2.0 type mini B |
| <b>Product mounting</b>           | Flush mounting   |
| <b>Fixing mode</b>                | By 4 screw clamps  |
| <b>Front material</b>             | PPT  |
| <b>Enclosure material</b>         | PPT  |
| <b>Type of cooling</b>            | Natural convection   |
| <b>Width</b>                      | 218 mm   |
| <b>Height</b>                     | 173 mm   |
| <b>Depth</b>                      | 60 mm  |
| <b>Net weight</b>                 | 1.2 kg   |

## Environment

|  |  |
|--|--|
| <b>Standards</b>                             | EN 61131-2<br>IEC 61000-6-2<br>UL 508  |
| <b>Product certifications</b>                | CE<br>cULus<br>KCC<br>C-Tick   |
| <b>Ambient air temperature for operation</b> | 0...55 °C  |
| <b>Ambient air temperature for storage</b>   | -20...60 °C  |
| <b>Relative humidity</b>                     | 10...90 % without condensation   |
| <b>Operating altitude</b>                    | < 2000 m   |
| <b>IP degree of protection</b>               | IP20 (rear panel) conforming to IEC 60529<br>IP65 (front panel) conforming to IEC 60529  |
| <b>NEMA degree of protection</b>             | NEMA 4X front panel (indoor use)   |
| <b>Shock resistance</b>                      | 147 m/s <sup>2</sup> 3 chocks in each direction X, Y and Z conforming to EN/IEC 61131-2  |
| <b>Vibration resistance</b>                  | 3.5 mm (f = 5...9 Hz) - X, Y, Z directions for 10 cycles (approx. 100 min) - conforming to EN/IEC 61131-2<br>1 gn (f = 9...150 Hz) - X, Y, Z directions for 10 cycles (approx. 100 min) - conforming to EN/IEC 61131-2 |
| <b>Resistance to electrostatic discharge</b> | 6 kV contact discharge conforming to IEC 61000-4-2 level 3   |

## Packing Units

|                               |     |
|-------------------------------|-----|
| <b>Unit Type of Package 1</b> | PCE |
|-------------------------------|-----|

|                                     |          |
|-------------------------------------|----------|
| <b>Number of Units in Package 1</b> | 1        |
| <b>Package 1 Height</b>             | 14.5 cm  |
| <b>Package 1 Width</b>              | 26.4 cm  |
| <b>Package 1 Length</b>             | 30.5 cm  |
| <b>Package 1 Weight</b>             | 1.704 kg |
| <b>Unit Type of Package 2</b>       | P12      |
| <b>Number of Units in Package 2</b> | 36       |
| <b>Package 2 Height</b>             | 75.0 cm  |
| <b>Package 2 Width</b>              | 80.0 cm  |
| <b>Package 2 Length</b>             | 120.0 cm |
| <b>Package 2 Weight</b>             | 73.34 kg |

## Offer Sustainability

|                                   |   |
|-----------------------------------|---|
| <b>Sustainable offer status</b>   | Green Premium product   |
| <b>REACH Regulation</b>           | <a href="#">REACH Declaration</a>   |
| <b>REACH free of SVHC</b>         | Yes   |
| <b>EU RoHS Directive</b>          | Pro-active compliance (Product out of EU RoHS legal scope)<br><a href="#">EU RoHS Declaration</a>   |
| <b>Mercury free</b>               | Yes   |
| <b>China RoHS Regulation</b>      | <a href="#">China RoHS declaration</a>  |
| <b>RoHS exemption information</b> | Yes   |
| <b>WEEE</b>                       | The product must be disposed on European Union markets following specific waste collection and never end up in rubbish bins   |
| <b>California proposition 65</b>  | WARNING: This product can expose you to chemicals including: Lead and lead compounds, which is known to the State of California to cause cancer and birth defects or other reproductive harm. For more information go to <a href="http://www.P65Warnings.ca.gov">www.P65Warnings.ca.gov</a> |

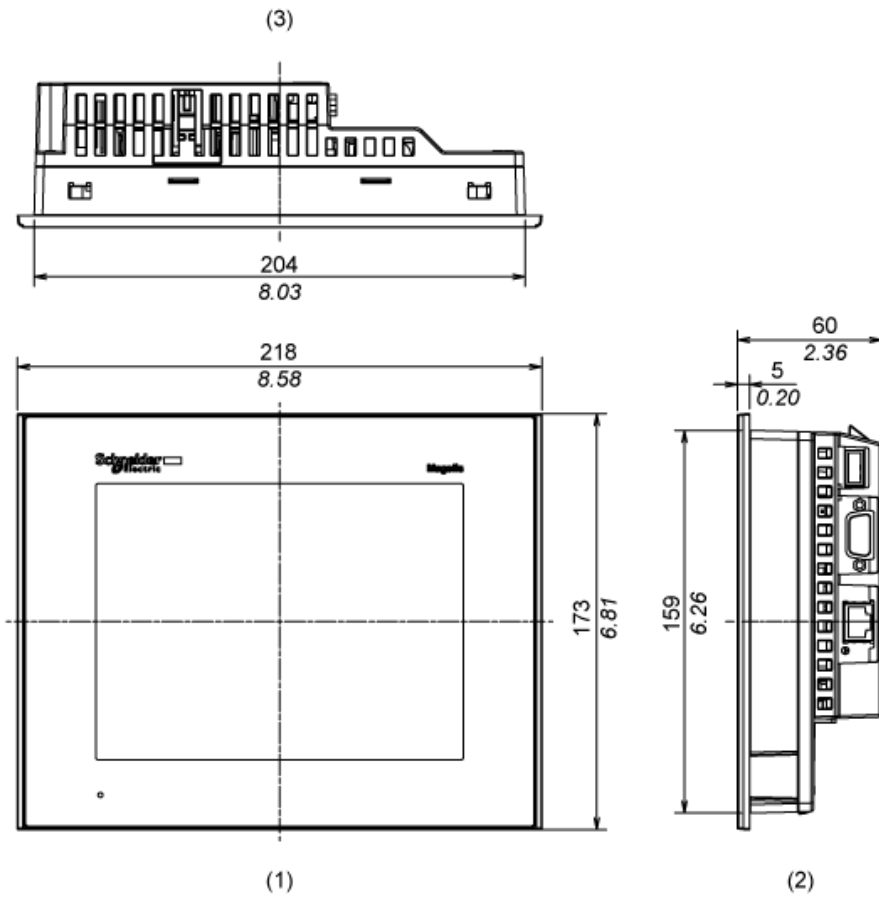
## Contractual warranty

|                 |           |
|-----------------|-----------|
| <b>Warranty</b> | 18 months |
|-----------------|-----------|

**Dimensions**

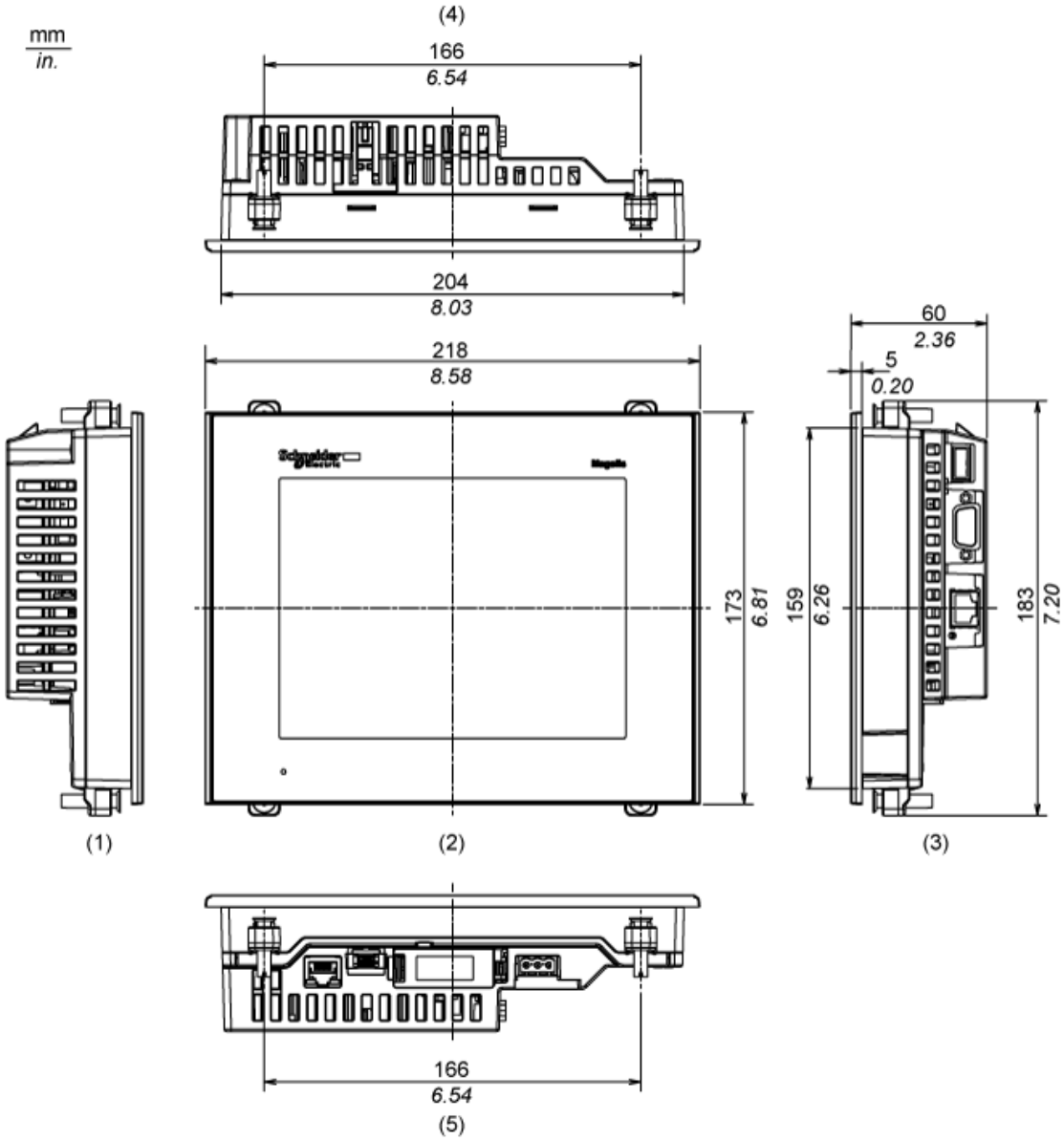
**External Dimensions**

$\frac{\text{mm}}{\text{in.}}$



- 1 Front
- 2 Right Side
- 3 Top

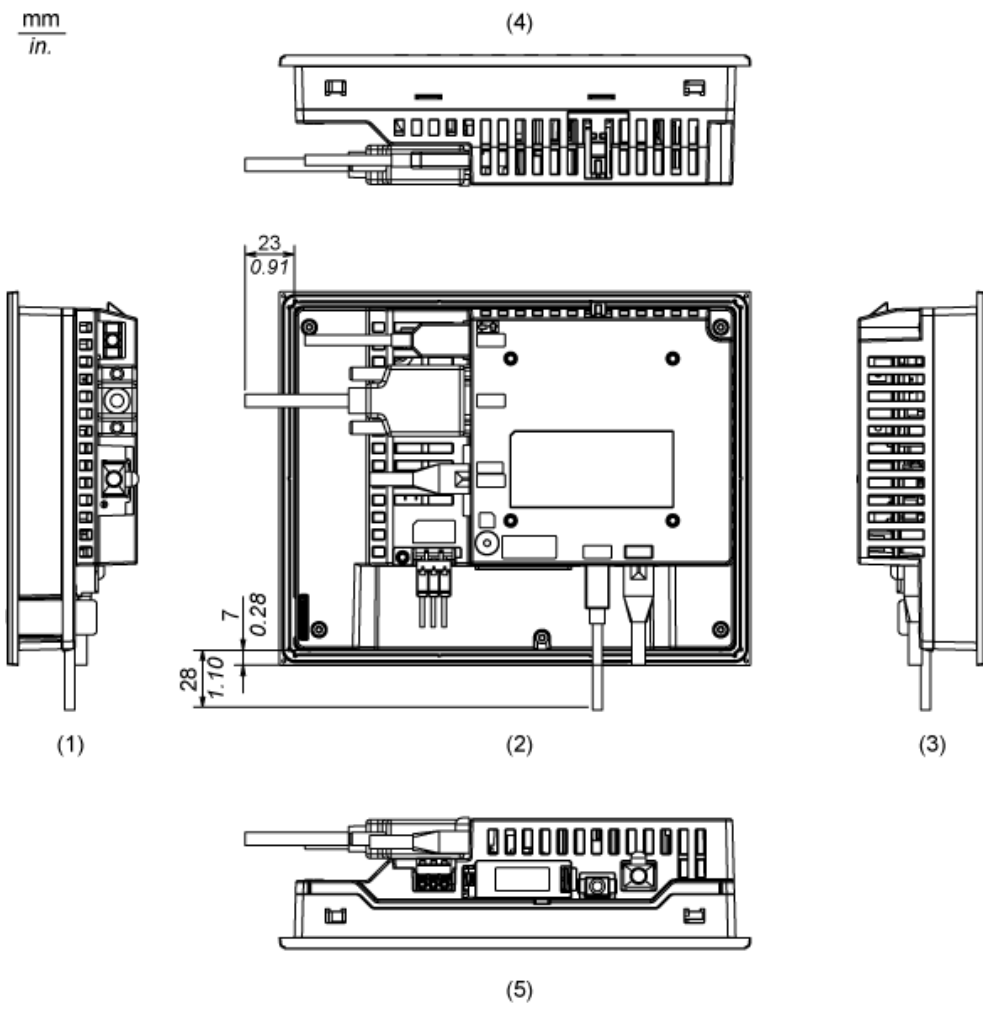
Installation with Installation Fasteners



- 1 Left Side
- 2 Front
- 3 Right Side
- 4 Top
- 5 Bottom

## Dimensions with Cables

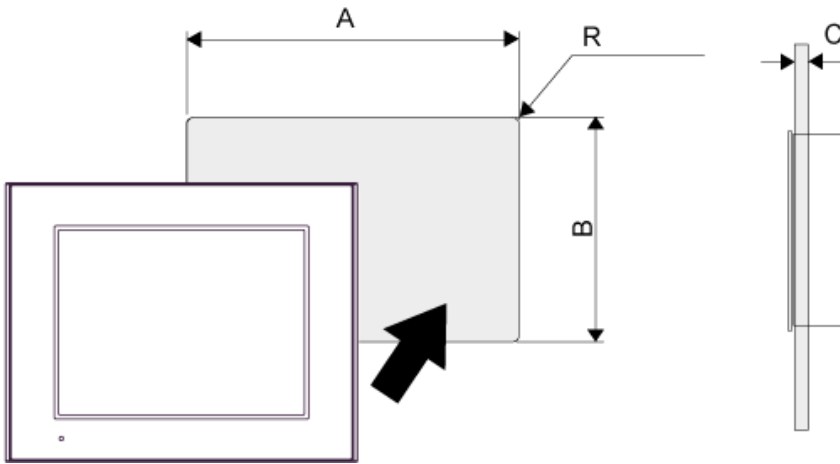
mm  
in.



- 1 Left Side
- 2 Rear
- 3 Right Side
- 4 Top
- 5 Bottom

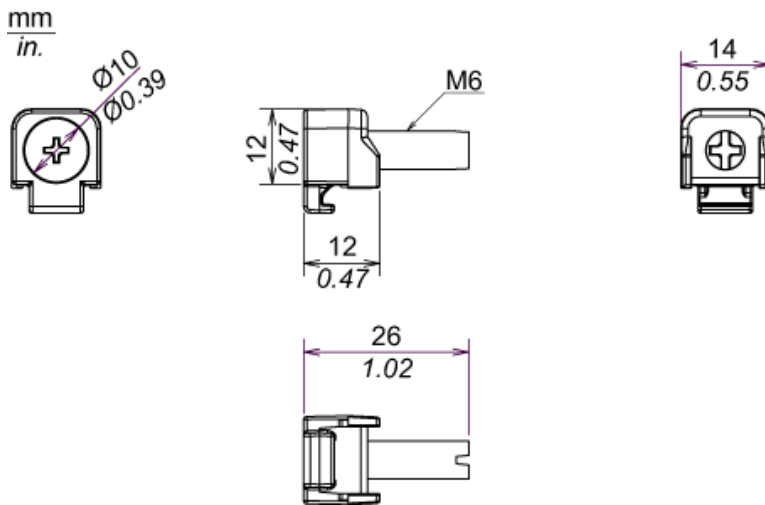
**Mounting**

**Panel Cut Dimensions**



| A              |                  | B              |                  | C       |            | R      |           |
|----------------|------------------|----------------|------------------|---------|------------|--------|-----------|
| mm             | in.              | mm             | in.              | mm      | in.        | mm     | in.       |
| 204.5 (+1, -0) | 8.05 (+0.04, -0) | 159.5 (+1, -0) | 6.28 (+0.04, -0) | 1.6...5 | 0.06...0.2 | 3 max. | 0.12 max. |

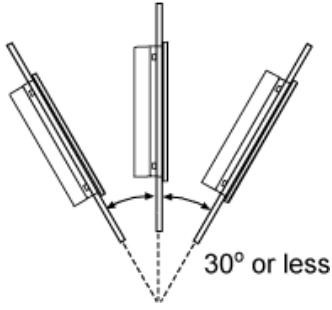
**Installation Fastener Dimensions**



**Installation Requirements**

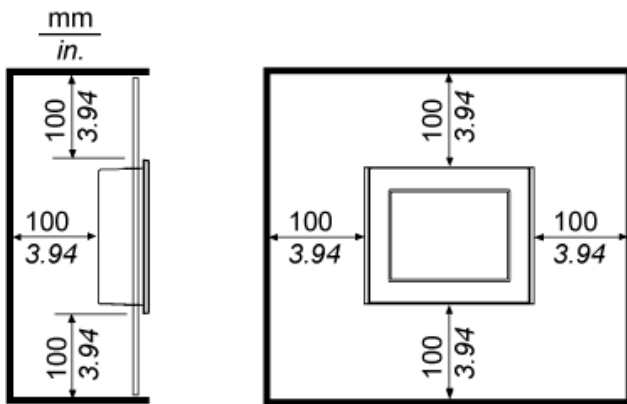
---

**Mounting Angle**



When installing the panel in a slanted position with an incline more than 30°, the ambient temperature must not exceed 40 °C (104 °F). You may need to use forced air cooling (fan,A/C) to ensure the ambient operating temperature is 40°C or less (104 °F or less).

**Clearance**



**Recommended replacement(s)**