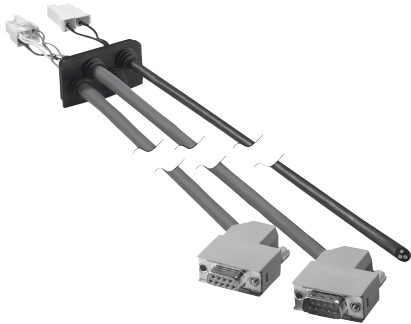


Lexium™ Integrated Drives

Motion control

Accessories for ILS, ILE and ILS Integrated Drives



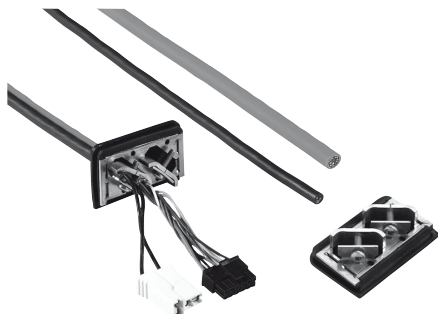
Cordset for interfaces for communication bus and power supply VW3L2001R30



Cordset for ILS1 Integrated Drives with I/O interface VW3L2M001R00



Cordset for ILS1 Integrated Drives with I/O interface and plate for I/O and safety signals VW3L2M211R00



Cordset for ILS1 Integrated Drive with pulse/direction interface VW3L2U001R00

Accessories for integrated drives with printed circuit board connectors (continued)

Cordsets for Safe Torque Off signals

Description	For use with	Length m	Unit reference	Weight kg
Pre-assembled cordsets with:	–	3	VW3L20010R30	–
Integrated drive end:	–	5	VW3L20010R50	–
1 connector for Safe Torque Off function	–	10	VW3L20010R100	–
Other end: flying leads	–	15	VW3L20010R150	–
		20	VW3L20010R200	–

Cordsets for communication bus interfaces (CANopen, PROFIBUS DP, RS 485, DeviceNet) and power supply

Pre-assembled cordsets with:	CANopen	3	VW3L2F001R30	–
Integrated drive end: cable entry and mechanical catch.	PROFIBUS DP	3	VW3L2B001R30	–
For power supply and communication bus.	RS 485	3	VW3L2R001R30	–
Other end: flying leads for power supply and 9-way SUB-D connector for communication bus.	DeviceNet	3	VW3L2D001R30	–

Cordsets for communication bus interfaces (EtherCAT, EtherNet/IP, Modbus TCP, Ethernet POWERLINK) and power supply

Pre-assembled cordsets with:	EtherCAT	3	VW3L2E001R30	–
Integrated drive end: cable entry and mechanical catch.	EtherNet/IP	3	VW3L2K001R30	–
For power supply and communication bus.	Modbus TCP	3	VW3L2T001R30	–
Other end:	EtherNet POWERLINK	3	VW3L2P001R30	–
<input type="checkbox"/> flying leads for power supply				
<input type="checkbox"/> RJ45 connector for communication bus				

Cordsets for ILS1 Integrated Drives with I/O interface for motion sequence

Pre-assembled cordsets with:	3	VW3L2M001R30	–
Integrated drive end: plate with cable entry and mechanical catch for control via data sets.	5	VW3L2M001R50	–
For power supply and I/O signals.	10	VW3L2M001R100	–
Other end: flying leads	15	VW3L2M001R150	–
	20	VW3L2M001R200	–

Cordsets for ILS1 Integrated Drives with I/O interface for motion sequence and plate for I/O signals and Safe Torque Off signals

Pre-assembled cordsets with:	3	VW3L2M211R30	–
Integrated drive end: plate with cable entry and mechanical catch for control via data sets.	5	VW3L2M211R50	–
For power supply and I/O signals.	10	VW3L2M211R100	–
Other end: flying leads	15	VW3L2M211R150	–
	20	VW3L2M211R200	–

Additional plate equipped with:
Two connectors for I/O signals
One M8 connector for Safe Torque Off signals

Cordsets for ILS1 Integrated Drives with pulse/direction (P/D) interface

Pre-assembled cordsets with:	3	VW3L2U001R30	–
Integrated drive end: plate with cable entry and mechanical catch.	5	VW3L2U001R50	–
For power supply and pulse/direction (P/D) or A/B encoder signals.	10	VW3L2U001R100	–
Other end: flying leads	15	VW3L2U001R150	–
	20	VW3L2U001R200	–